

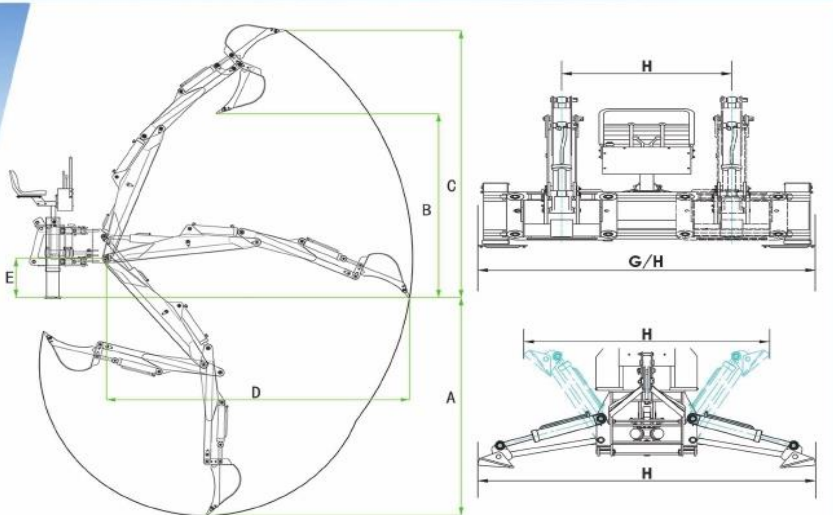


## Backhoe

### Key Features

1. Fits most tractors with a three point linkage with Cat.1,2,3.
2. Optionable Bucket sizes 200mm,300mm,400mm,600mm,800mm and 1000mm are all interchangeable.
3. Separate oil Tank with Filter, speed up gear pump.
4. It is ok to fit thumb, single tine ripper
5. Fitted a hydraulic valve to make the lift and down smoothly

Backhoe Model	as shown in below	Unit	LW-5	LW-6	LW-7	LW-8	LW-10	LW-12
Matching Tractor		hp	15-40	30-50	50-70	80-100	90-120	100-180
Max.Digging Depth	<b>A</b>	mm	1650	2000	2400	2800	3200	3655
Max.Unloading Height	<b>B</b>	mm	1530	1860	2050	2380	2650	3627
Max.Digging Height	<b>C</b>	mm	2600	2970	3210	3460	3770	5040
Working Radios	<b>D</b>	mm	2300	2700	3140	3600	3920	4510
Ground Clearance	<b>E</b>	mm	450	450	450	500	500	700
Min.Transporting width	<b>G</b>	mm	1150	1700	1700	1700	1850	2100
Max.Width of supporting legs	<b>H</b>	mm	2100	2200	2200	2200	2300	2550
Bucket Width		mm	200	300	400	450	500	550
Bucket capacity		m <sup>2</sup>	0.03	0.04	0.05	0.06	0.07	0.13
Weight		kg	330	430	480	520	800	1500
Backhoe Attachments	200-1000mm Buckets, Single Tine Ripper, Thumb							



Ripper Attachment

Thumb Attachment

Bucket Kits