

(TS6A904-011K)

## CONTENTS

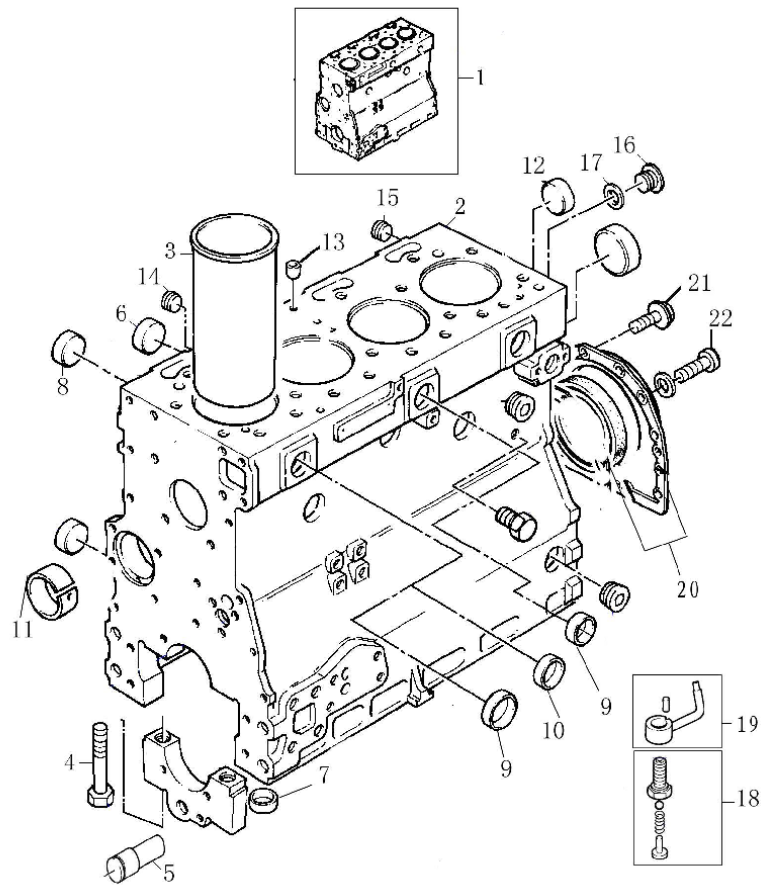
◆ 1004C-P4TRT90N21.....	1
◆ TC05110090000K AIR FILTER SYSTEM ASSEMBLY.....	70
◆ TC05131100000K COOLING SYSTEM ASSEMBLY.....	72
◆ TC05132030000K RADIATOR BACKING BOARD INSTALLATION ASSEMBLY.....	76
◆ TS06201010000 HAND THROTTLE CONTROL ASSEMBLY.....	78
◆ TS06202010000 FOOT THROTTLE CONTROL ASSEMBLY.....	81
◆ TS06203010000 PULL WIRE ASSEMBLY.....	83
◆ FT800. 21C. 001 CLUTCH ASSEMBLY.....	85
◆ TD1S212010000 CLUTCH CONTROL MECHANISM ASSEMBLY.....	87
◆ TS06220030000 EXHAUST SYSTEM ASSEMBLY.....	96
◆ TD904. 311K FRONT AXLE ASSEMBLY.....	99
◆ TS06312020000 BRACKET ASSEMBLY.....	114
◆ TS06313010000 BRACKET FRONT BODY ASSEMBLY.....	116
◆ TC05320020000K FRONT DRIVING WHEEL ASSEMBLY.....	118
◆ TC05340020000K REAR DRIVING WHEEL ASSEMBLY.....	120
◆ FT800. 35A. 001 TRACTION DEVICE ASSEMBLY.....	122
◆ TS06371010000 GEARBOX HOUSING ASSEMBLY.....	124
◆ TD950. 372L MAIN/AUXILIARY GEARSHIFT ASSEMBLY.....	126
◆ TS06373040000 SIDE CONTROL ASSEMBLY.....	136
◆ TS06374010000 CREEPER GEAR MECHANISM ASSEMBLY.....	146
◆ TC05382010000 REAR AXLE CENTRAL TRANSMISSION ASSEMBLY.....	149
◆ TS06383010000 DIFFERENTIAL LOCK CONTROL MECHANISM ASSEMBLY.....	154
◆ TS06384040000 REAR AXLE HOUSING ASSEMBLY.....	157

◆ TC05385030000 BREATH ASSEMBLY.....	162
◆ FT800. 39. 001 LEFT FINAL TRANSMISSION ASSEMBLY.....	164
◆ FT800. 39. 002 RIGHT FINAL TRANSMISSION ASSEMBLY.....	166
◆ TS06401010000 STEERING PLATE AND STEERING PIPE COLUMN ASSEMBLY.....	168
◆ TS06402040000 FULL HYDRAULIC STEERING PIPE ASSEMBLY.....	170
◆ TD800. 411C PTO SHAFT ASSEMBLY.....	176
◆ TD800. 412R PTO GEAR ASSEMBLY.....	178
◆ TS06413010000 PTO CONTROL MECHANISM ASSEMBLY.....	182
◆ TD800. 414A PTO BONNET ASSEMBLY.....	185
◆ TD904. 421A TRANSFER CASE ASSEMBLY.....	187
◆ TD904. 422 TRANSFER CASE TRANSMISSION SHAFT AND COVER ASSEMBLY.....	193
◆ TS06423010000 TRANSFER CASE CONTROL ASSEMBLY.....	197
◆ TS06433010000 TRAVELLING BRAKE CONTROL MECHANISM ASSEMBLY.....	199
◆ TS06435010000 PARKING BRAKE CONTROL MECHANISM ASSEMBLY.....	206
◆ TC05441020000K SEAT INSTALLATION ASSEMBLY.....	209
◆ TD1C451020000K DRIVER' S CAB ASSEMBLY.....	211
◆ TS06453040000 UPHOLSTERY ASSEMBLY.....	232
◆ TS06455010000 BACK REAR MUD GUARD DECORATION PART.....	235
◆ TC03456020000 DASHBOARD ASSEMBLY.....	237
◆ TC05457050000K FRONT CONNECTING ASSEMBLY.....	239
◆ TS06458010000 REAR CONNECTING ASSEMBLY.....	241
◆ TS06459010000 INSULATION LAYER.....	243
◆ TS06471010000 BONNET ASSEMBLY.....	245
◆ TC05473010000K BONNET PNEUMATIC SPRING BRACKET ASSEMBLY.....	250

◆ TS06473010000 BONNET LOCKING DEVICE ASSEMBLY.....	252
◆ TC05475060000K BONNET SEAL INSTALLATION ASSEMBLY.....	254
◆ TS06481120000 ENGINE HARNESS INSTALLATION ASSEMBLY.....	256
◆ TS06482010000K BODY HARNESS INSTALLATION ASSEMBLY.....	258
◆ TC05483040000K FRONT LAMP HARNESS INSTALLATION ASSEMBLY.....	261
◆ TS06484020000K REAR LAMP HARNESS INSTALLATION ASSEMBLY.....	263
◆ TC05485050000K BATTERY INSTALLATION ASSEMBLY.....	265
◆ TS06486010000K TOP LIGHT HARNESS INSTALLATION ASSEMBLY.....	267
◆ TS06487010000 COMBINED INSTRUMENT ASSEMBLY.....	269
◆ TS06049020000 TOOL BOX INSTALLATION ASSEMBLY.....	271
◆ TS06501020000 MAIN OIL TANK INSTALLATION ASSEMBLY.....	273
◆ TS06502020000 AUXILIARY OIL TANK INSTALLATION ASSEMBLY.....	276
◆ TD800. 503C OIL INLET/OUTLET PIPE ASSEMBLY.....	278
◆ TS06551080000 LIFTER INSTALLATION ASSEMBLY.....	280
◆ FT800. 56A. 001 SUSPENSION ASSEMBLY.....	286
◆ TD1S581040000K OIL PUMP/PIPE/FILTER ASSEMBLY.....	292
◆ TD1S582110000K HYDRAULIC SYSTEM EQUIPMENT ASSEMBLY.....	295
◆ TC03620010000K SAFETY BELT INSTALLATION ASSEMBLY.....	306
◆ TS06741010000 FRONT BALLAST BRACKET ASSEMBLY.....	308
◆ TS06742010000 FRONT BALLAST ASSEMBLY.....	310
◆ TS06811010000 AIR CONDITION ASSEMBLY–CAB.....	312
◆ TS06812010000 AIR CONDITION ASSEMBLY–ENGINE.....	315
◆ FT800. 91B. 001 REAR BALLAST ASSEMBLY.....	317



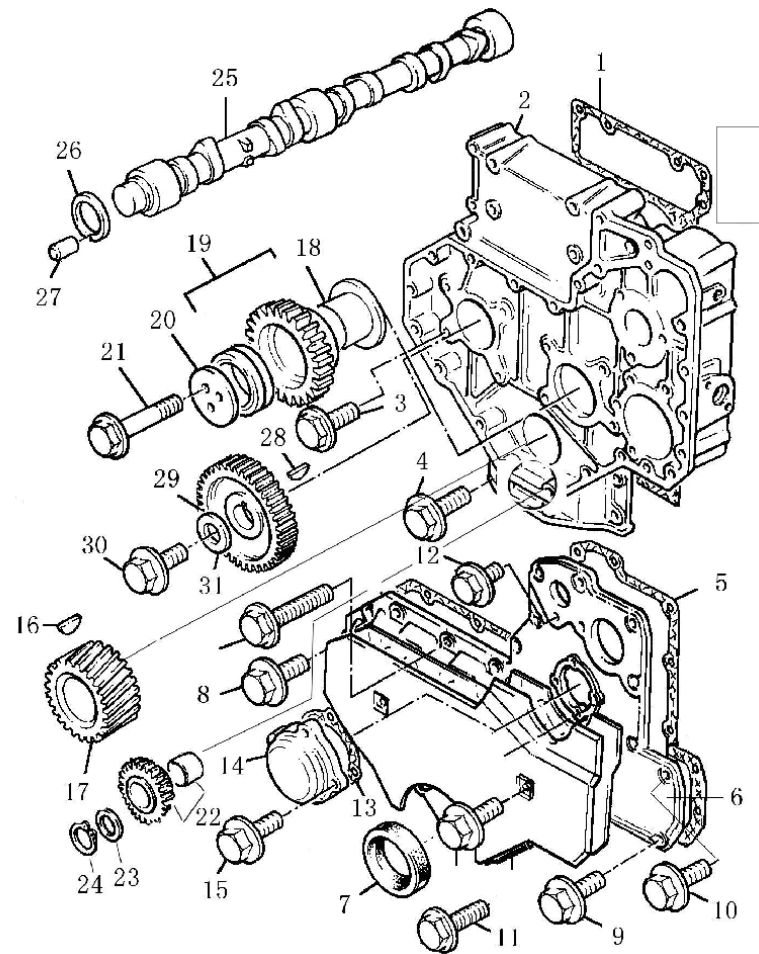
1004C-P4TRT90N21-1



## 1004C-P4TRT90N21-1

No.	Part No.	Description	Version	QTY.	Remark
	1004C-P4TRT90N21	ENGINE ASSY		1	
1	TZZ50265	CYLINDER BLOCK		1	
2	T721010069	CYLINDER BLOCK		1	
3	T3135X062	CYLINDER LINER		4	
4	T32166329	BOLT		10	
5	T3271H004A	IDLER SHAFT		1	
6	T3774A004	PLUG		4	
7	T33142111	LOCATING SLEEVE		10	
8	T32418122	PLUG		6	
9	T0650710	PLUG		6	
10	T32418124	PLUG		1	
11	T31134165	SLEEVE		1	
12	T32416119	PLUG		1	
13	T32417134M	PLUG		1	
14	T64404002M	PLUG		1	
15	T0650588M	PLUG		1	
16	T32168212	PLUG		1	
17	T714030009	WASHER		1	
18	T4138A017	COOLING NOZZLE VALVE		4	
19	T3861A027	COOLING NOZZLE		4	
20	T721050003	REAR OIL SEAL		1	
21	T3211C002	BOLT		6	
22	T3211C002	BOLT		4	

1004C-P4TRT90N21-2



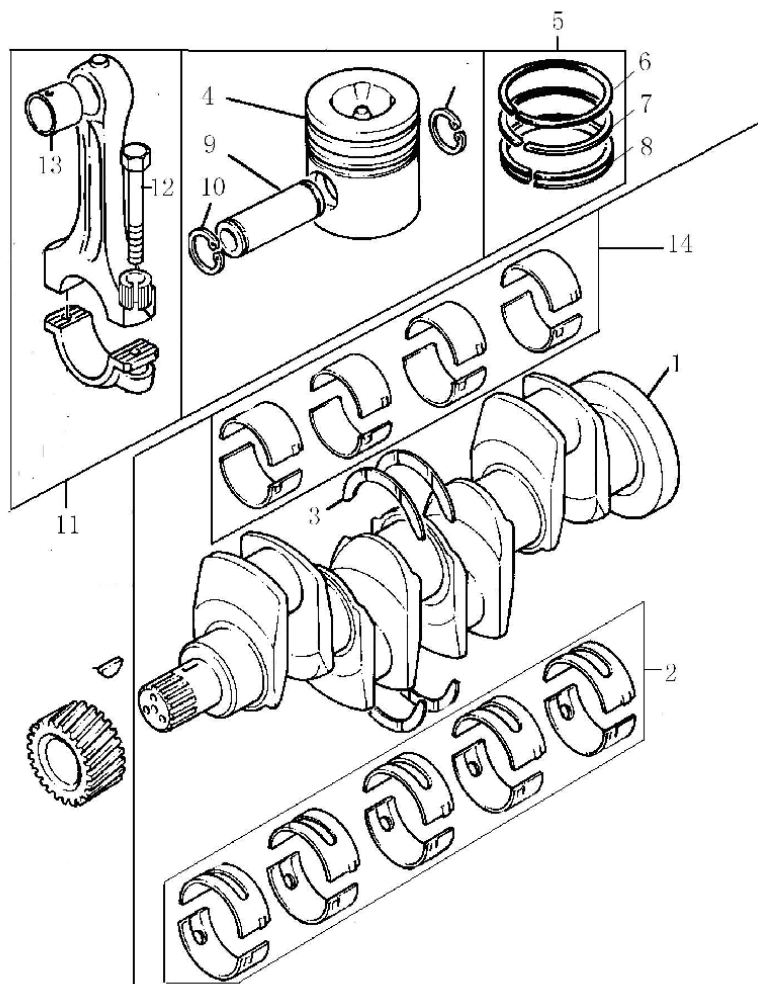
## 1004C-P4TRT90N21-2

No.	Part No.	Description	Version	QTY.	Remark
1	T3681P009	MAT		1	
2	T722010098	TIMING CASE		1	
3	T2314H003	BOLT		8	
4	T2314H004	BOLT		4	
5	T3681P034	FRONT COVER GASKET		1	
6	T3716M091B	FRONT COVER		1	
7	T2418F436	OIL SEAL		1	
8	T2314H005	BOLT		10	
9	T2314H004	BOLT		1	
10	T2314H034	BOLT		1	
11	T2314H034	BOLT		2	
12	T2314H013	BOLT		6	
13	T3682H003	MAT		1	
14	T3753R211	INSPECTION COVER		1	
15	T2314F036	BOLT		4	
16	T0500012	KEY		1	
17	T3117C061	GEAR		1	
18	T33426161A	HUB		1	
19	T4111A013	GEAR		1	
20	T3241H009	PLATE		1	
21	T2314J010	BOLT		3	
22	T4111A021	GEAR		1	
23	T33123125	WASHER		1	

## 1004C-P4TRT90N21-2 (cont'd.)

No.	Part No.	Description	Version	QTY.	Remark
24	T2722A206	CIRCLIP		1	
25	T31415363	CAMSHAFT		1	
26	T33153121	PLATE		1	
27	T2116053	PIN		1	
28	T0500012	KEY		1	
29	T3117L023	GEAR		1	
30	T2314J606	BOLT		1	
31	T3321A003	WASHER		1	

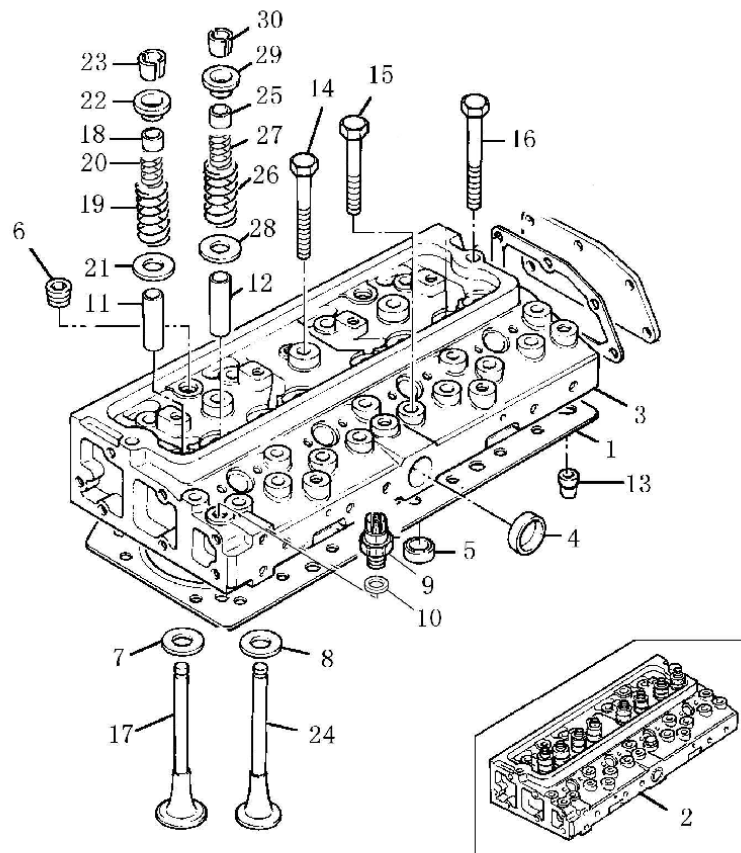
1004C-P4TRT90N21-3



## 1004C-P4TRT90N21-3

No.	Part No.	Description	Version	QTY.	Remark
1	T31315681	CRANKSHAFT		1	
2	T81558	MAIN BEARING		1	
3	TZZ90001	THRUST SHIM ASSEMBLY		1	
4	T3135J186A	PISTON		4	
5	T4181A026	PISTON RING		4	
9	T3313T005	PISTON PIN		4	
10	T2721332	CIRCLIP		8	
11	T4115C211	CONNECTING ROD ASSEMBLY		4	
14	T31132011	CONNECTING ROD TILE		8	

1004C-P4TRT90N21-4





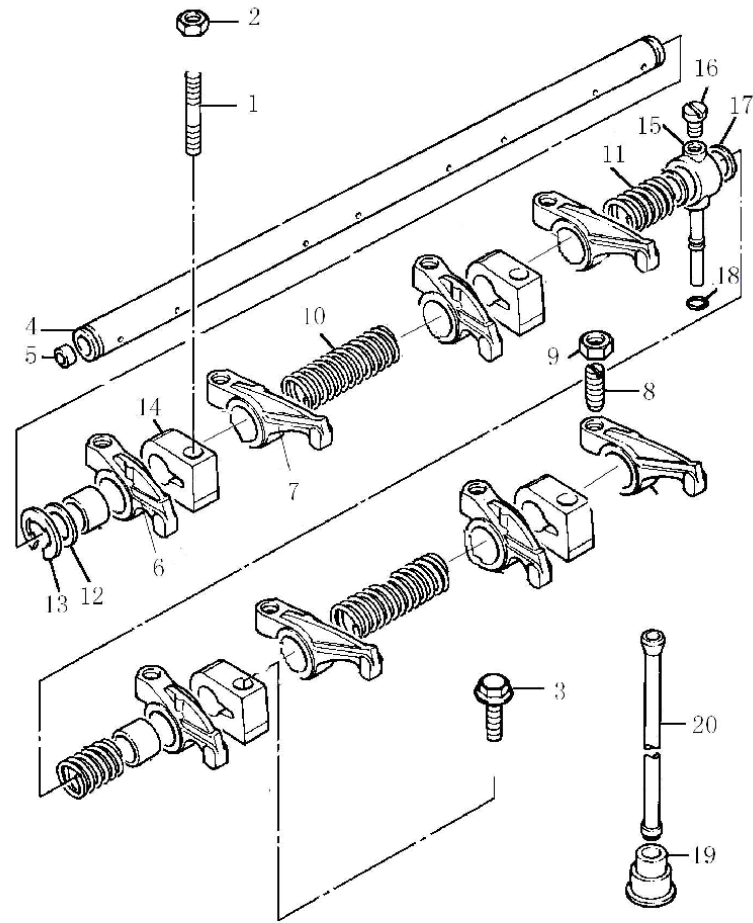
## 1004C-P4TRT90N21-4

No.	Part No.	Description	Version	QTY.	Remark
1	T3681E033D	CYLINDER COVER GASKET		1	
2	TZZ80221	CYLINDER COVER ASSEMBLY		1	
3	T3712H074	CYLINDER COVER		1	
4	T0650710	PLUG		1	
5	T32417121	PLUG		4	
6	T0650586	PLUG		4	
7	T3324E003	AIR INLET VALVE SEAT		4	
8	T3314A122	EXHAUST VALVE SEAT		4	
9	T0650203	PLUG		1	
10	T2411157	WASHER		1	
11	T3343F042A	AIR INLET VALVE GUIDE PIPE		4	
12	T3343J022A	EXHAUST VALVE GUARD PIPE		4	
13	T2114A046	ORIENTATION PIN		2	
14	T32166219	BOLT		8	
15	T32166221	BOLT		12	
16	T32166222	BOLT		2	
17	T3142L072	AIR INLET VALVE		4	
18	T33817117B	SEAL RING		4	
19	T31745122	OUTER SPRING		4	
20	T31744133	INNER SPRING		4	
21	T33415118	WASHER		4	
22	T33424107	AIR INLET VALVE COVER		4	
23	T33173108	AIR INLET VALVE LOCK CLIP		8	

## 1004C-P4TRT90N21-4 (cont'd.)

No.	Part No.	Description	Version	QTY.	Remark
24	T3142A051	EXHAUST VALVE		4	
25	T33817117B	SEAL RING		4	
26	T31745122	OUTER SPRING		4	
27	T31744133	INNER SPRING		4	
28	T33415118	WASHER		4	
29	T33424107	EXHAUST VALVE COVER		4	
30	T33173108	EXHAUST VALVE LOCK CLIP		8	

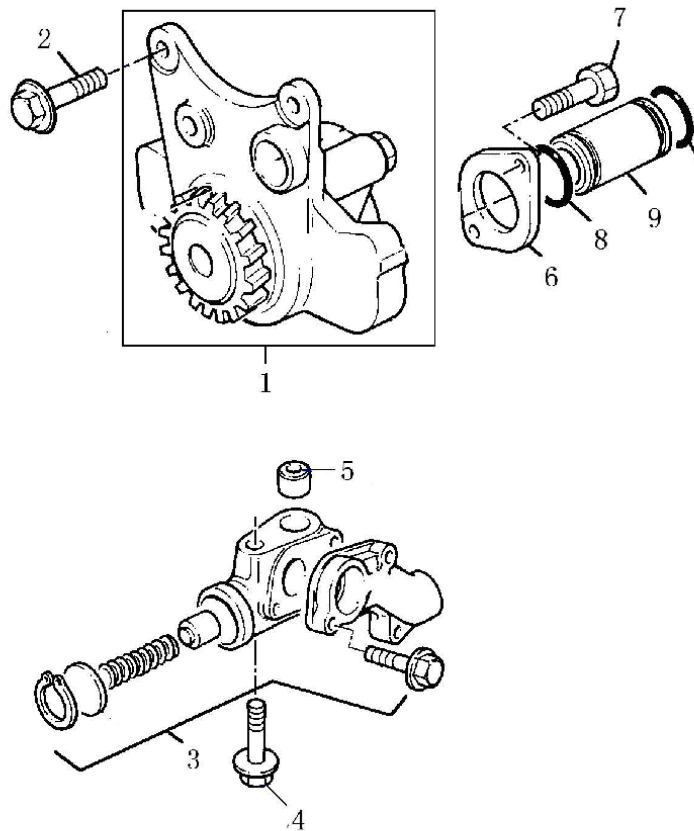
1004C-P4TRT90N21-5



## 1004C-P4TRT90N21-5

No.	Part No.	Description	Version	QTY.	Remark
1	T2313H331	STUD		3	
2	T2318A605	NUT		3	
3	T2314J607	BOLT		1	
4	T31411124	ROCKER SHAFT		1	
5	T0650507	PLUG		2	
6	T4115R306	ROCKER		4	
7	T4115R305	ROCKER		4	
8	T32114145	BOLT		8	
9	T0576052	NUT		8	
10	T31744123	SPRING		2	
11	T31743108	SPRING		2	
12	T33117434	WASHER		2	
13	T0170151	CIRCLIP		2	
14	T3818X901	BRACKET		4	
15	T3775E012	OIL INLET JOINT		1	
16	T2233022	BOLT		1	
17	T3311K015	WASHER		2	
18	T33811113	OLIVE BODY		1	
19	T3142U031	TAPPET		8	
20	T31434307	PUSH ROD		8	

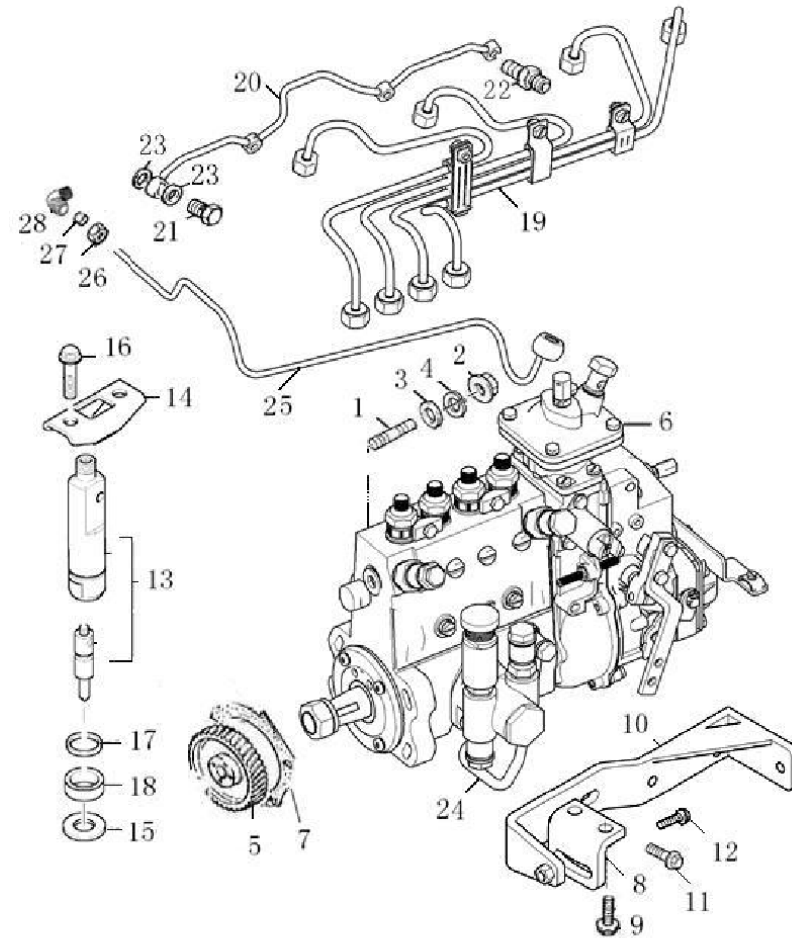
1004C-P4TRT90N21-6



## 1004C-P4TRT90N21-6

No.	Part No.	Description	Version	QTY.	Remark
1	T4132F056C	OIL PUMP		1	
2	T2314H005	BOLT		3	
3	T4138A049	PRESSURE LIMITING VALVE		1	
4	T2314J011	BOLT		1	
5	T33137409	LOCATING SLEEVE		1	
6	T3748C011	FLANGE		1	
7	T2314H004	BOLT		2	
8	T2415H201	O-RING		2	
9	T3343F012	OIL PIPE		1	

## 1004C-P4TRT90N21-7



## 1004C-P4TRT90N21-7

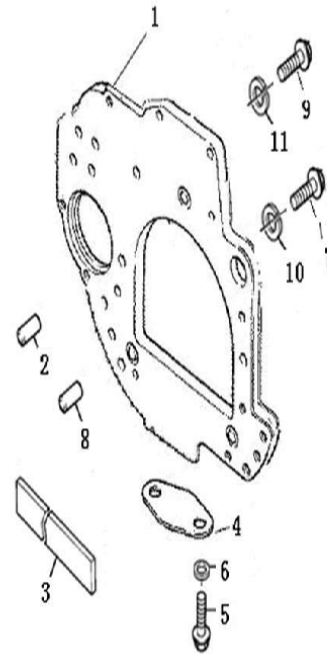
No.	Part No.	Description	Version	QTY.	Remark
1	Q1201040F3S	STUD		4	
2	T2318A604	NUT		4	
3	Q40110	FLAT WASHER		4	
4	Q40310	SPRING WASHER		2	
5	T3117L113G	STRAIGHT PUMP GEAR		1	
6	T832080129	OIL INJECTION PUMP		99	
7	T33828118B	MAT		99	
8	T732110044	BRACKET		1	
9	T2314J002	BOLT		2	
10	T732110070	BRACKET		1	
11	Q150B1025Q	BOLT		2	
12	T2314H004	BOLT		1	
13	T63301009	OIL INJECTOR ASSEMBLY		1	
14	T3662K002	PRESSURE PLATE		4	
15	T0921173	WASHER		4	
16	T2314H006	BOLT		8	
17	T33813129	SPACER RING		4	
18	T33813131	DUSTPROOF COVER		4	
19	T833050061	HIGH PRESSURE OIL PIPE		1	
20	T3558X043	OIL PIPE		1	
21	T3218R005	BOLT		3	
22	T3355V002	BOLT		1	
23	T2411101	WASHER		8	



## 1004C-P4TRT90N21-7 (cont'd.)

No.	Part No.	Description	Version	QTY.	Remark
24	T73214101	LUBRICATING OIL PIPE		1	
25	T732320043	PIPE		1	
26	T33225412	NUT		1	
27	T33811112	OLIVE BODY		1	
28	T0201047	SYPHON		1	

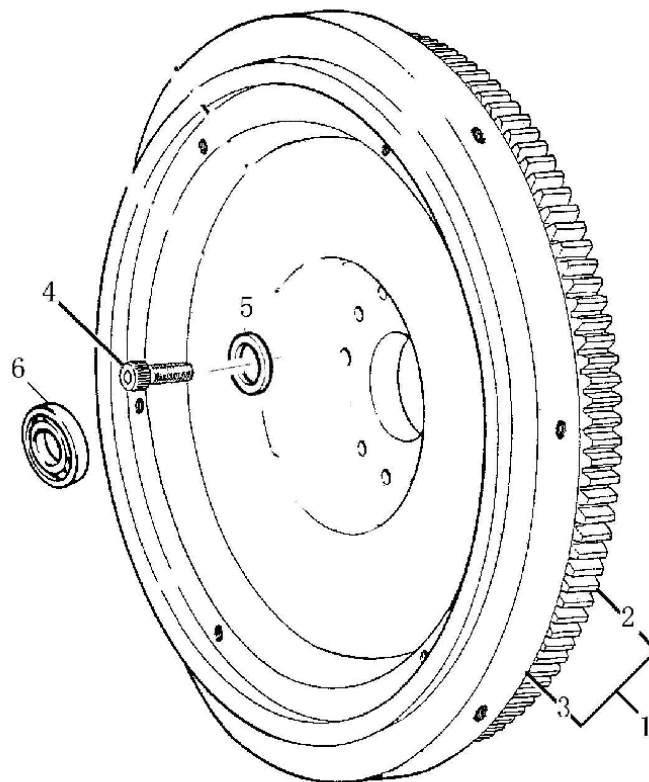
1004C-P4TRT90N21-8



## 1004C-P4TRT90N21-8

No.	Part No.	Description	Version	QTY.	Remark
1	T736070022	FLYWHEEL PLATE		1	
2	T73606004	FLYWHEEL PLATE LOCATING BUSH		2	
3	T36843154	SEAL STRIP		1	
4	T73631005	COVER PLATE		1	
5	Q150B0610Q	BOLT		2	
6	Q40306	SPRING WASHER		2	
7	Q150B1035TF3Q	BOLT		6	
8	T0350025	ORIENTATION PIN		2	
9	Q150B1245Q	BOLT		2	
10	Q40316	SPRING WASHER		4	
11	Q40312	SPRING WASHER		2	

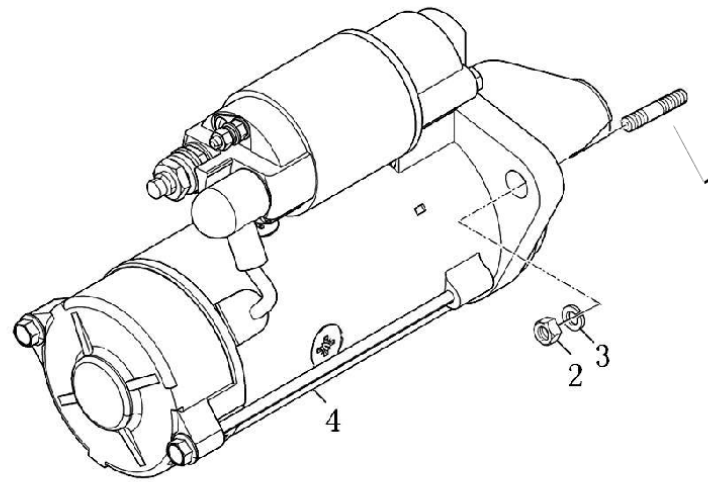
1004C-P4TRT90N21-9



## 1004C-P4TRT90N21-9

No.	Part No.	Description	Version	QTY.	Remark
1	T63640800K1	FLYWHEEL ASSEMBLY		1	
2	T31162121B	GEAR RING		1	
3	T63616008	FLYWHEEL		1	
4	T2185103	BOLT		10	
5	T33117127	WASHER		10	
6	GBT276-6303-2RS	BEARING		1	

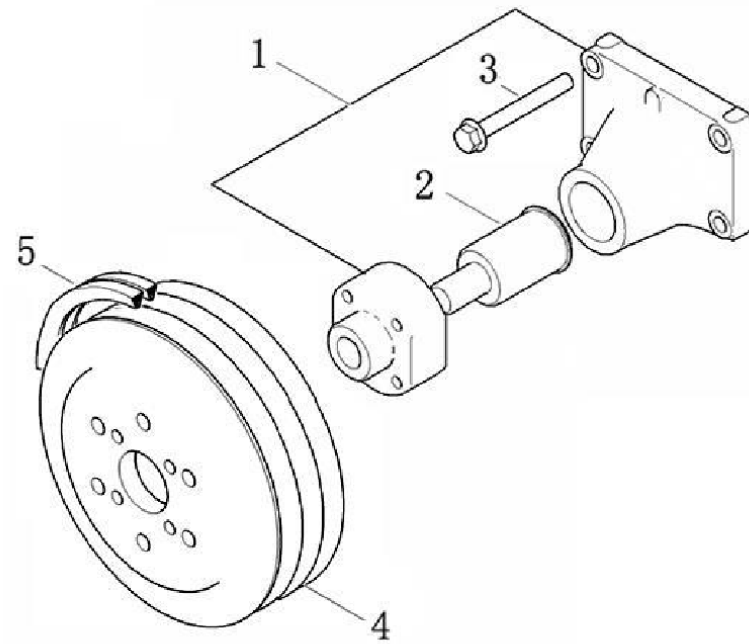
1004C-P4TRT90N21-10



## 1004C-P4TRT90N21-10

No.	Part No.	Description	Version	QTY.	Remark
1	T2313C078	STUD		3	
2	T2318A604	NUT		3	
3	Q40310	SPRING WASHER		3	
4	T837010021	STARTING MOTOR		99	

1004C-P4TRT90N21-11

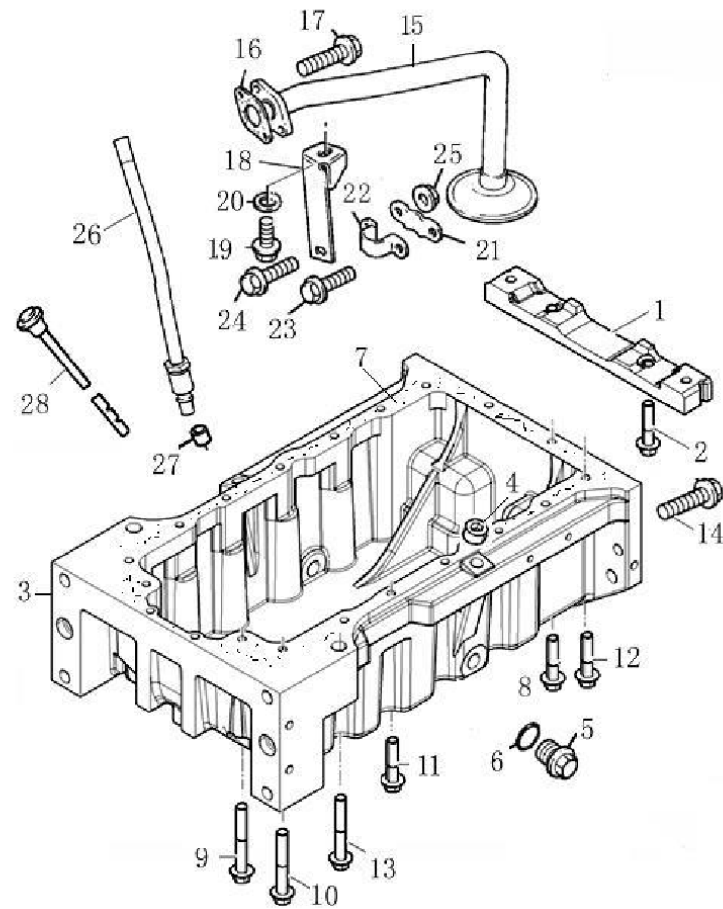




## 1004C-P4TRT90N21-11

No.	Part No.	Description	Version	QTY.	Remark
1	T4113H058	FAN DRIVING BRACKET		1	
2	T728040003	BEARING		1	
3	T2314J015	BOLT		4	
4	T63907002	BELT PULLEY		1	
5	T74401020	BELT		2	

## 1004C-P4TRT90N21-12



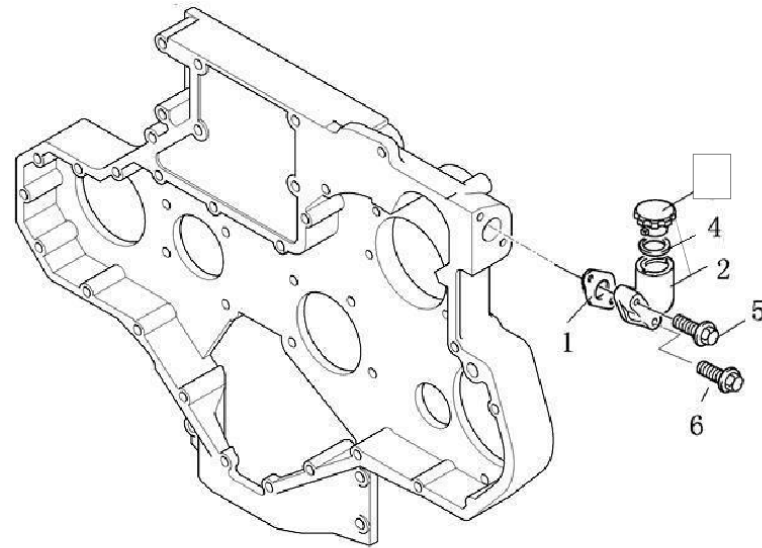
## 1004C-P4TRT90N21-12

No.	Part No.	Description	Version	QTY.	Remark
1	T738060002	AXLE FRAME		1	
2	T2311D039	BOLT		2	
3	T738020046	OIL SUMP		1	
4	T2431A016	PLUG		1	
5	T712030027	OIL SUMP PLUG		2	
6	T2415715	O-RING		2	
7	T36815736	OIL SUMP GASKET		1	
8	T2314H055A	BOLT		2	
9	T2314H023A	BOLT		4	
10	T2314H023A	BOLT		2	
11	T2314H015A	BOLT		10	
12	T2314H012A	BOLT		2	
13	T2314K213	BOLT		2	
14	Q150B1645Q	BOLT		4	
15	T3575A046	OIL SUCTION PIPE		1	
16	T36832137	MAT		1	
17	T2314H007	BOLT		2	
18	T3821D012	BRACKET		1	
19	T2314H002	BOLT		1	
20	T0920484	SPACER RING		1	
21	T3661V002	BRACKET		1	
22	T3661C002	CLAMP HOOP		1	
23	T2314F002	BOLT		1	

## 1004C-P4TRT90N21-12 (cont'd.)

No.	Part No.	Description	Version	QTY.	Remark
24	T2314F004	BOLT		1	
26	T3577A125	DIPSTICK TUBE ASSEMBLY		1	
27	T33812116	OLIVE BODY		1	
28	T738010082	DIPSTICK		99	

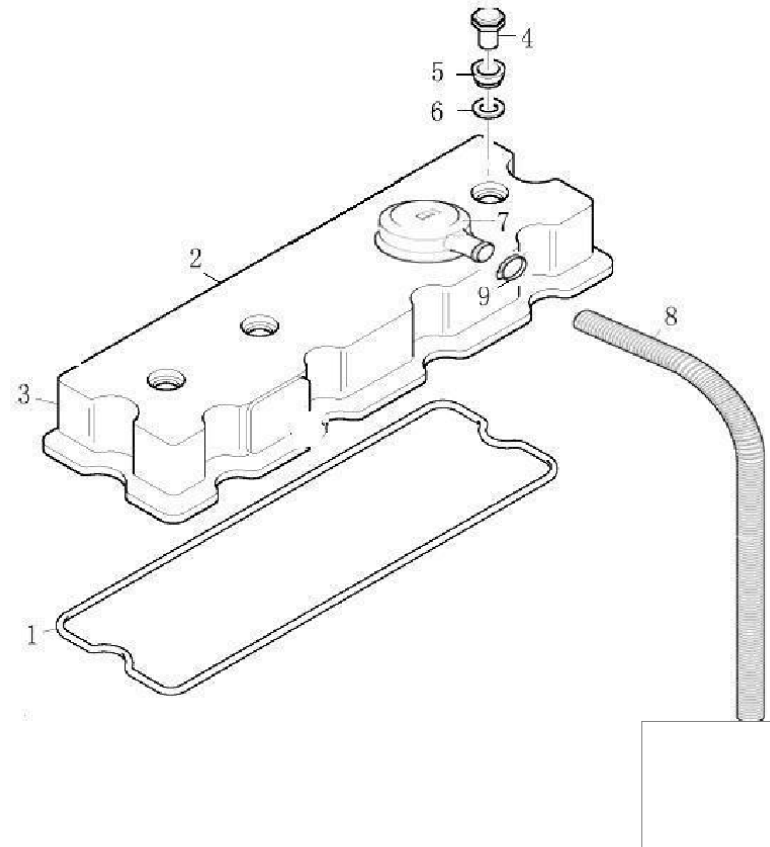
1004C-P4TRT90N21-13



## 1004C-P4TRT90N21-13

No.	Part No.	Description	Version	QTY.	Remark
1	T3683H006	FILLING CAP GASKET		1	
2	T840060006	FILLING CAP ASSEMBLY		1	
4	T714010020	O-RING		1	
5	T2314H010	BOLT		1	
6	T2314H007	BOLT		1	

1004C-P4TRT90N21-14

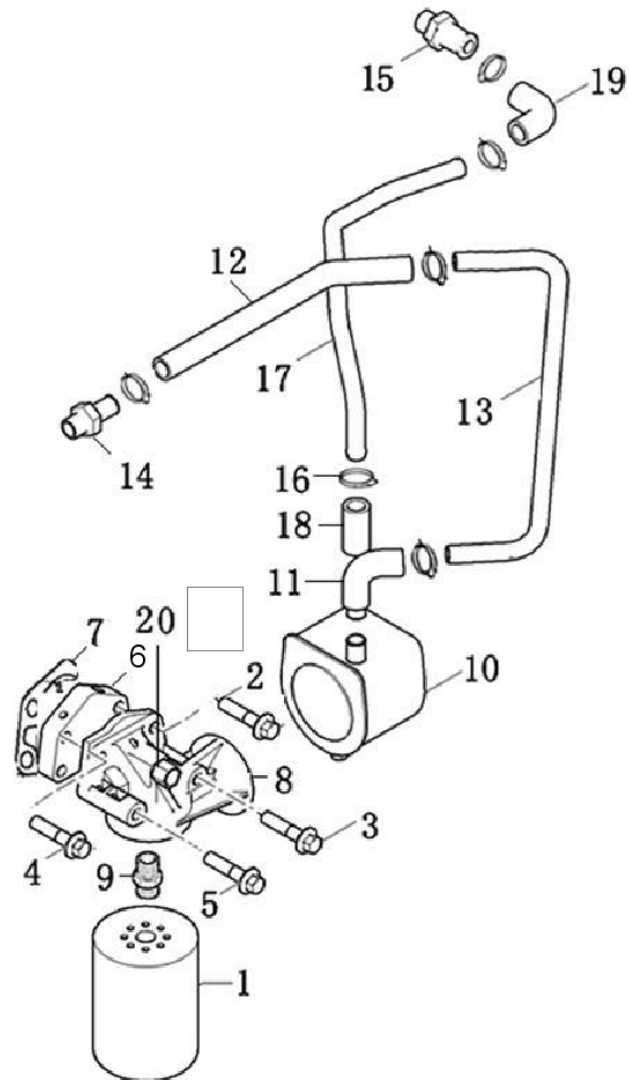


## 1004C-P4TRT90N21-14

No.	Part No.	Description	Version	QTY.	Remark
1	T3681A021A	CYLINDER COVER BONNET GASKET		1	
2	T3687A507A	DUSTPROOF STRIP		1	
3	T4142X046H	CYLINDER COVER BONNET ASSEMBLY		1	
4	T3274A003	NUT		3	
5	T0920009	WASHER		3	
6	T33817135	SEAL GASKET		3	
7	T4133J008	BREATHER		1	
8	T740040164	BREATH PIPE		1	
9	T0180064	CLIP		1	



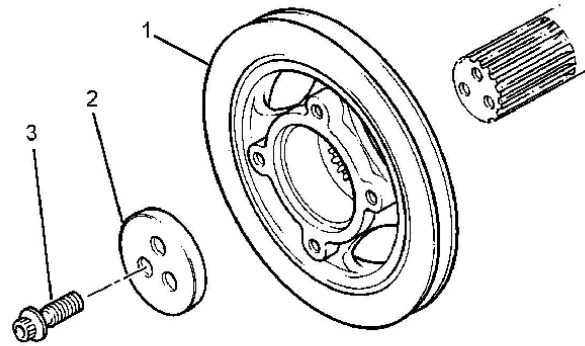
1004C-P4TRT90N21-15



## 1004C-P4TRT90N21-15

No.	Part No.	Description	Version	QTY.	Remark
1	T741010036	OIL FILTER		1	
2	T2314J008	BOLT		1	
3	T2314J018	BOLT		1	
4	T2314J038	BOLT		1	
5	T2314J048	BOLT		1	
6	T3773T101A	PAD BOARD		1	
7	T3686T006	MAT		2	
8	T3773P312A	FILTER SEAT		1	
9	T33554128A	CONNECTING JOINT		1	
10	T74202012	OIL COOLER		1	
11	T742020041	BENDING HOSE		3	
12	T742020043	CONNECTING HOSE		1	
13	T74202031	WATER OUTLET PIPE		1	
14	T74202003M	CONNECTING JOINT		4	
15	T64202014M	CONNECTING JOINT		1	
16	Q673B20	CLAMP HOOP		4	
17	T4126E068G	OIL COOLER WATER INLET PIPE		1	
18	T742020042	CONNECTING RUBBER PIPE		1	
19	T742020041	BENDING HOSE		1	
20	Q618B02	SCREW PLUG		1	

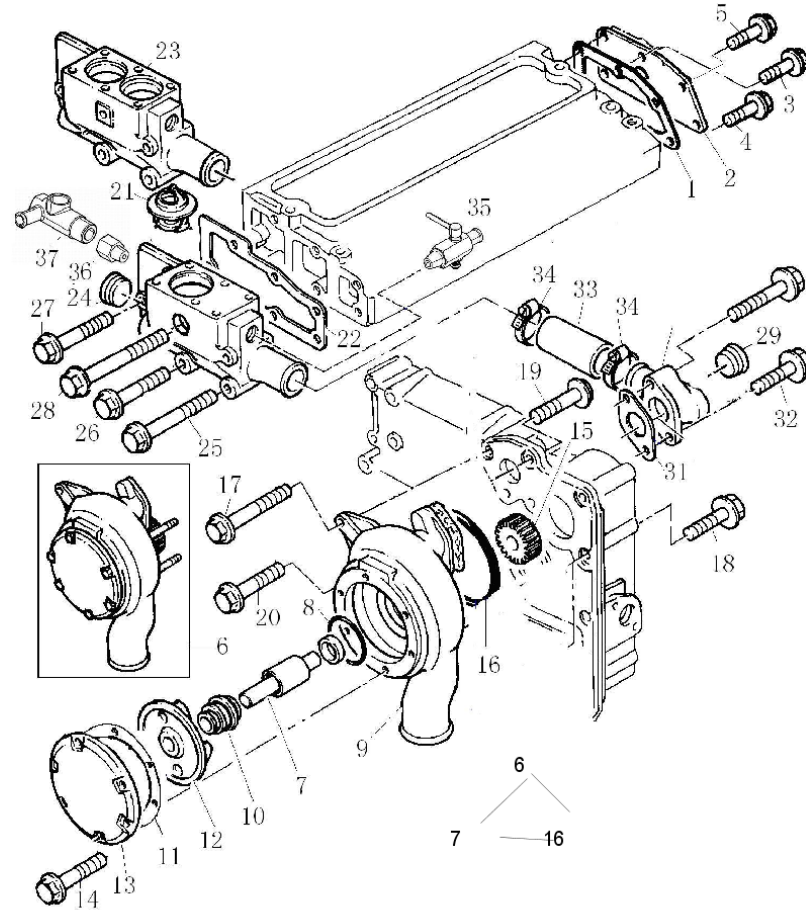
1004C-P4TRT90N21-16



## 1004C-P4TRT90N21-16

No.	Part No.	Description	Version	QTY.	Remark
1	T3115T051B	BELT PULLEY		1	
2	T3241N001	LOCKING RETAINER BLOCK		1	
3	T32186137	BOLT		3	

1004C-P4TRT90N21-17



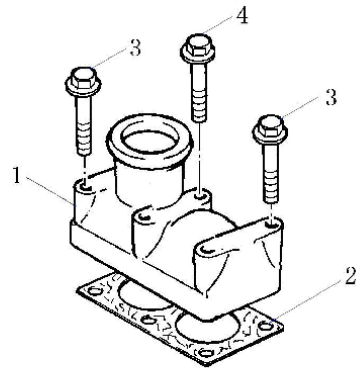
## 1004C-P4TRT90N21-17

No.	Part No.	Description	Version	QTY.	Remark
1	T3685R005	MAT		1	
2	T3623K007	CYLINDER COVER REAR END PLATE		1	
3	T2314H002	BOLT		3	
4	T2314H003	BOLT		1	
5	T2314J002	BOLT		2	
6	T4131E011C	WATER PUMP		1	
17	T2314H015	BOLT		1	
18	T2314N043	BOLT		3	
19	T2314H006	BOLT		1	
20	T2314H006	BOLT		1	
21	T74405005	THERMOSTAT		2	
22	T3685F005	MAT		1	
23	T744030025	THERMOSTAT HOUSING BODY		99	
24	Q618B03	PLUG		1	
25	T2314J013	BOLT		2	
26	T2314H015	BOLT		1	
27	T2314H008	BOLT		2	
28	T2314J004	BOLT		2	
29	T2431154	PLUG		1	
30	T3764E061A	TEE JIONT		1	
31	T3683N004	MAT		1	
32	T2314H004	BOLT		2	
33	T757050019	RUBBER HOSE		1	

## 1004C-P4TRT90N21-17 (cont'd.)

No.	Part No.	Description	Version	QTY.	Remark
34	T715020029	CLAMP HOOP		2	
35	T712410014M	SWITCH		1	
36	Q618B03	SCREW PLUG		1	
37	T712020108	CONNECTING JOINT		1	

1004C-P4TRT90N21-18

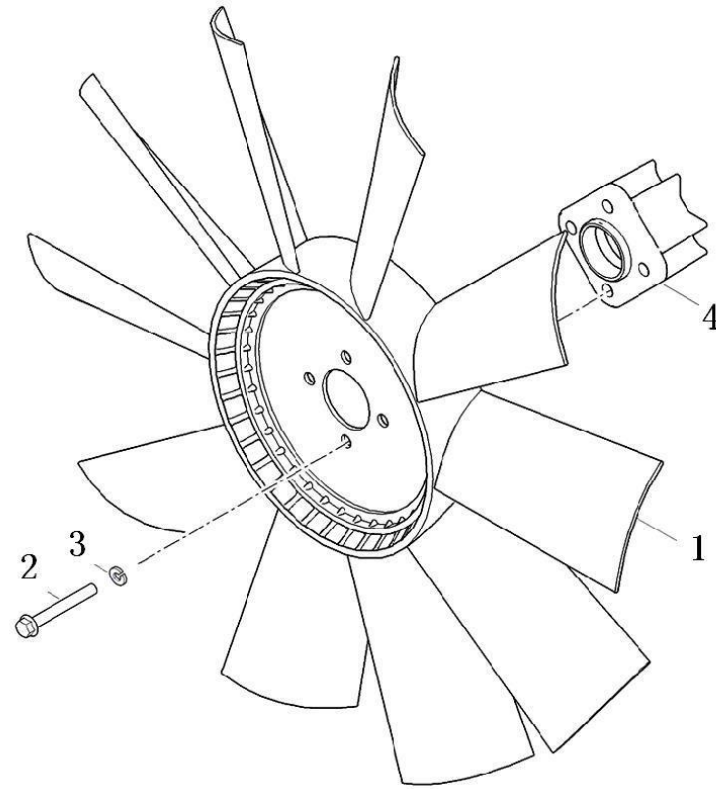




## 1004C-P4TRT90N21-18

No.	Part No.	Description	Version	QTY.	Remark
1	T3684A004	MAT		1	
2	T3771K043	WATER OUTLET		1	
3	T2314H010	BOLT		4	
4	T2314H008	BOLT		2	

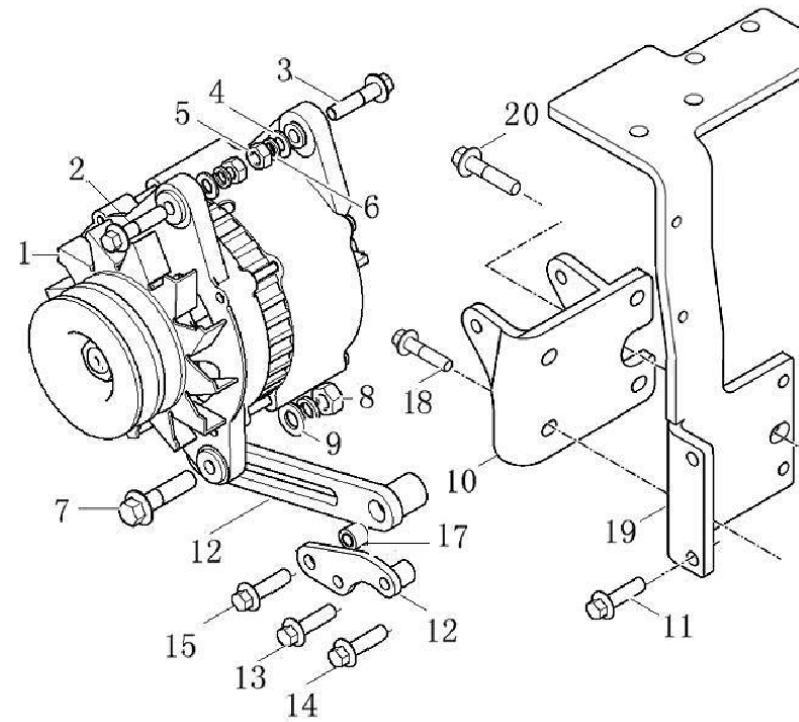
1004C-P4TRT90N21-19



## 1004C-P4TRT90N21-19

No.	Part No.	Description	Version	QTY.	Remark
1	T64406007	FAN		1	
2	T2314K166	BOLT		4	
3	Q40308	SPRING WASHER		4	
4	T744070007	SPACER		99	

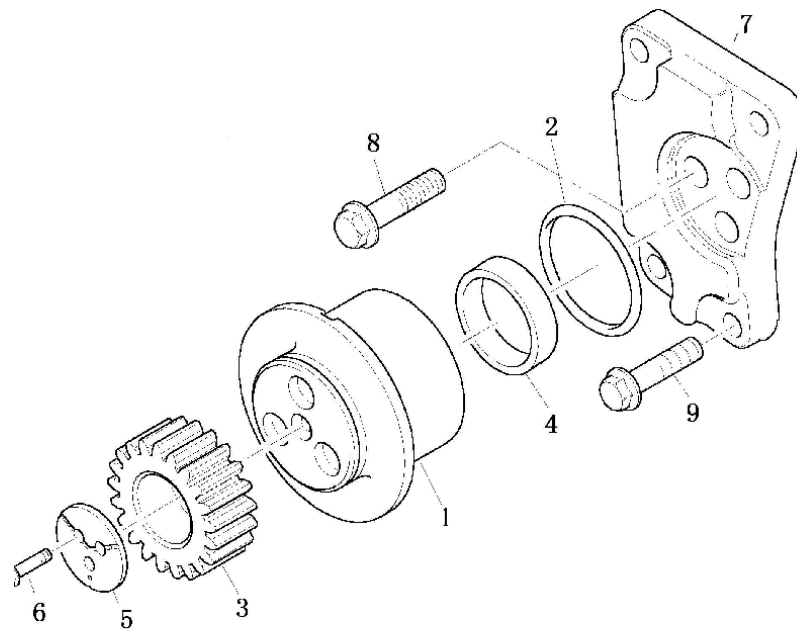
1004C-P4TRT90N21-20



## 1004C-P4TRT90N21-20

No.	Part No.	Description	Version	QTY.	Remark
1	T845010011	GENERATOR		1	
2	T2314H023A	BOLT		1	
3	T2314H023A	BOLT		1	
4	T0920497	FLAT WASHER		2	
5	Q340B08	NUT		2	
6	Q40308	SPRING WASHER		2	
7	T2314J006	BOLT		1	
8	T2318A634A	NUT M10		1	
9	T2131A010	FLAT WASHER		2	
10	T745030066	GENERATOR BRACKET		1	
11	T2314H013	BOLT		2	
12	T3753V014A	ADJUSTING ROD		1	
13	T3753V016	BRACKET		1	
14	T2314H018	BOLT		1	
15	T2314H008	BOLT		1	
16	T2314J004	BOLT		1	
17	T64502110	SPACER RING		1	
18	T2314H002	BOLT		4	
19	T760110024	BRACKET		99	
20	T2314J003	BOLT		1	

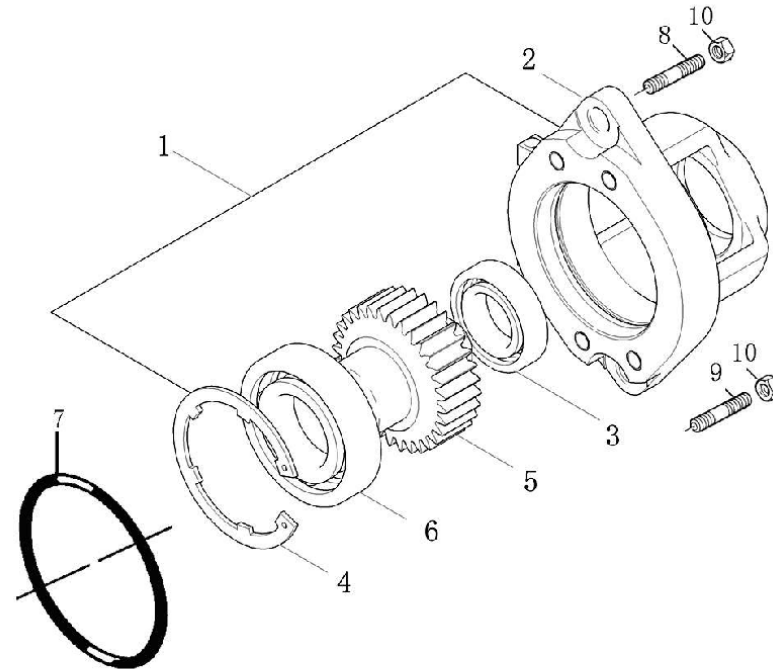
1004C-P4TRT90N21-21



## 1004C-P4TRT90N21-21

No.	Part No.	Description	Version	QTY.	Remark
1	T3272X021	HUB		1	
2	T2415H213	O-RING		1	
3	T3117C161	GEAR		1	
4	T2551A289	BEARING		1	
5	T3241H011	FIXED PLATE		1	
6	T2314H002	BOLT		3	
7	T3753R241	BRACKET		1	
8	T2311D081	BOLT		3	
9	T2311D560	BOLT		4	

1004C-P4TRT90N21-22

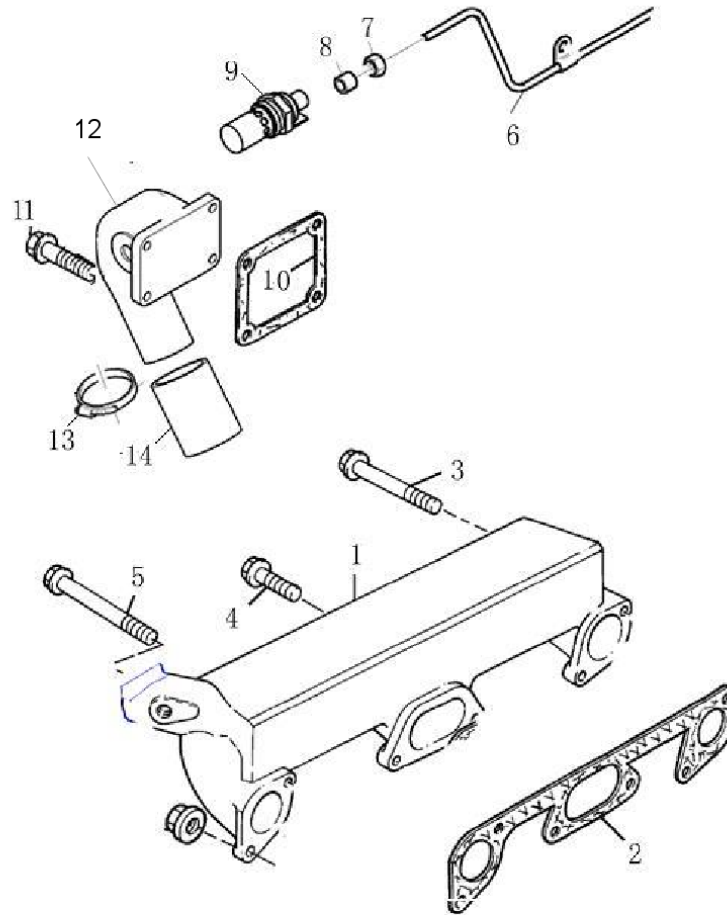




## 1004C-P4TRT90N21-22

No.	Part No.	Description	Version	QTY.	Remark
1	T4113H068A	DRIVING ASSEMBLY		1	
2	T746100012	LEFT TRANSMISSION SLEEVE		1	
3	NZS6208	BEARING		1	
4	T2721A537	CIRCLIP		1	
5	T3117C116A	GEAR		1	
6	NZS6006	BEARING		1	
7	T2415H461	O-RING		1	
8	T2313H321	STUD		1	
9	T3254T001	STUD		1	
10	T2318A605	NUT		3	

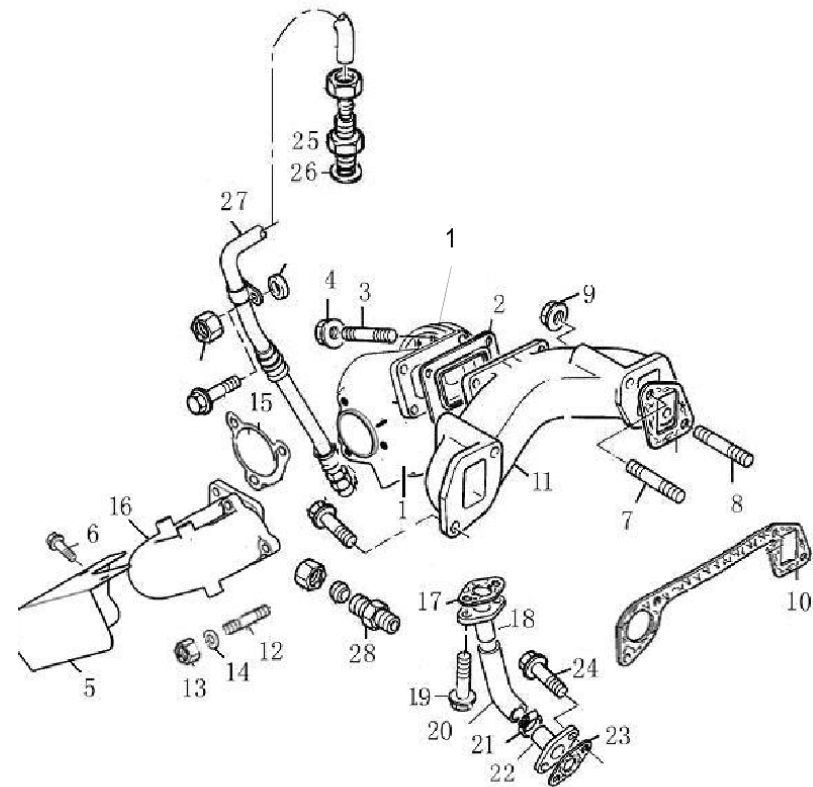
1004C-P4TRT90N21-24



## 1004C-P4TRT90N21-24

No.	Part No.	Description	Version	QTY.	Remark
1	T3777E221B	AIR INLET PIPE		1	
2	T3688C024	MAT		1	
3	T2314J011	BOLT		1	
4	T2314J004	BOLT		4	
5	T2314J018	BOLT		1	
6	T733203343	PIPE		1	
7	T33225412	NUT		1	
8	T33811112	OLIVE BODY		1	
9	T2666108A	HEATER		1	
10	T3684N009	MAT		1	
11	T2314H004	BOLT		4	
12	T3766P052D	AIR INLET SYPHON		1	
13	T0180069	HOOP		2	
14	T3383E008	RUBBER HOSE		1	

## 1004C-P4TRT90N21-25



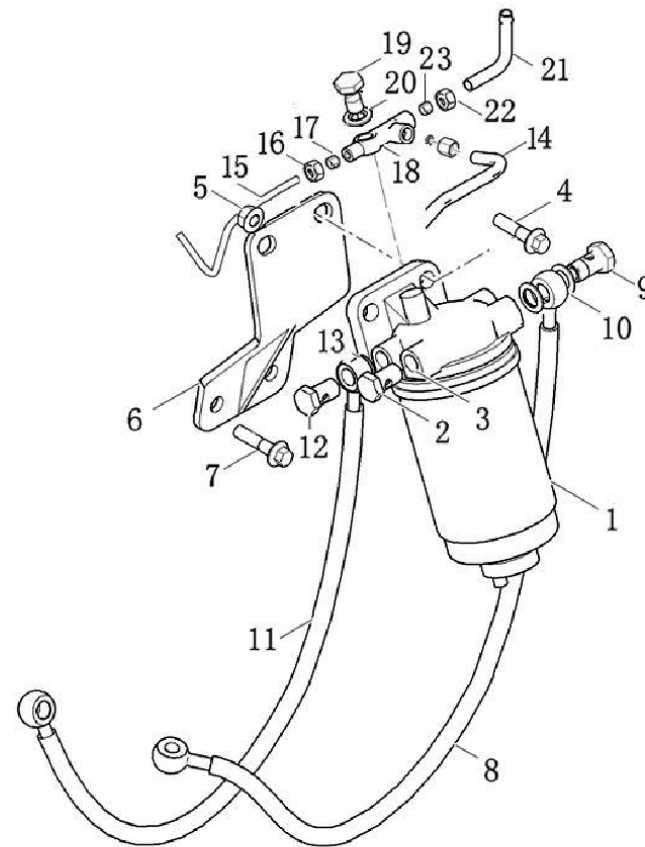
## 1004C-P4TRT90N21-25

No.	Part No.	Description	Version	QTY.	Remark
1	T74801003	TURBOCHARGER		1	
2	TL681VF03	MAT		1	
3	TL254HF03A	DOUBLE END STUDS		4	
4	T2318A633	NUT		4	
5	T748070153	SHIELD		1	
6	T2314F001	BOLT		2	
7	T2313M387A	STUD		3	
8	T2313M388A	STUD		1	
9	T2318A634	NUT		4	
10	T3688C023	MAT		1	
11	T3778H201A	EXHAUST PIPE		1	
12	T2313C078	DOUBLE END STUDS		3	
13	Q340B10F2	NUT		3	
14	Q40310	SPRING WASHER		3	
15	T64703009	SEAL WASHER		1	
16	T747160055	EXHAUST BENDING PIPE		1	
17	T3683D008	MAT		1	
18	T3571N007	OIL PIPE		1	
19	T2314H003	BOLT		2	
20	T3383A006	RUBBER HOSE		1	
21	T2481877	HOOP		1	
22	T3571N008	OIL PIPE		1	
23	T36832144B	MAT		1	

## 1004C-P4TRT90N21-25 (cont'd.)

No.	Part No.	Description	Version	QTY.	Remark
24	T2314H033	BOLT		2	
25	T0201502	CONNECTING JOINT		1	
26	TL311KF01	WASHER		1	
27	T733060094	OIL INLET PIPE OF TURBOCHARGER		1	
28	T0201502	CONNECTING JOINT		1	

1004C-P4TRT90N21-27



## 1004C-P4TRT90N21-27

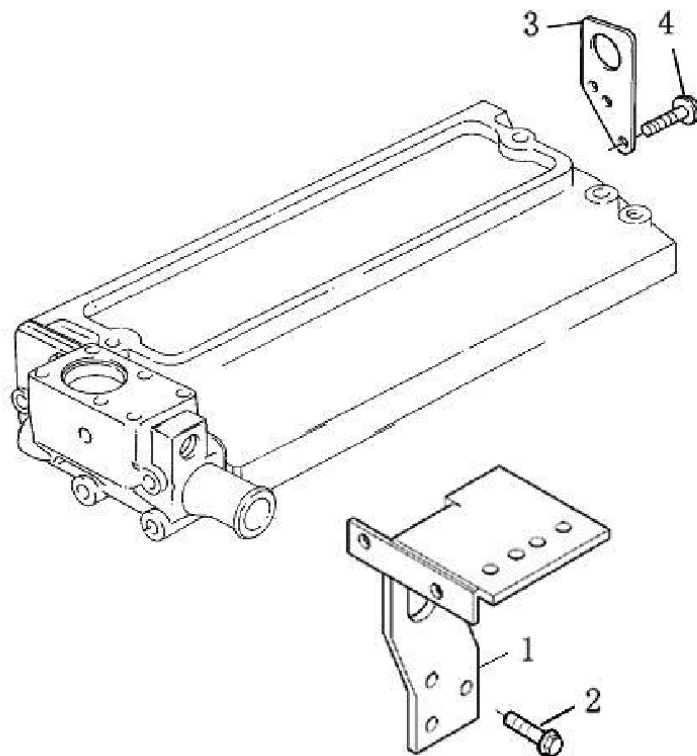
No.	Part No.	Description	Version	QTY.	Remark
1	T850010047	CX0708TFUELFILTERASSEMBLYCX0708T		1	
1.1	T750010032	FUEL FILTER		1	
2	T0650204	PLUG		1	
3	T73274309	WASHER		1	
4	T2314J005	BOLT		2	
5	T2318A604	NUT		2	
6	T750110056	BRACKET		1	
7	T2314J002	BOLT		2	
8	T733150019	PIPE		1	
9	T711060022	BOLT		1	
10	T73274309	SEAL WASHER		2	
11	T733090068	FUEL FILTER TO INJECTION PUMP PIPE		1	
12	T711060022	BOLT		1	
13	T73274309	SEAL WASHER		2	
14	T733100073	OIL PIPE		1	
15	T733120036	OIL PIPE		1	
16	T33225412	NUT		1	
17	T33811112	OLIVE BODY		1	
18	T73217019	CONNECTING JOINT		1	
19	T0095344A	BOLT		1	
20	T73208144	WASHER		2	
21	T733100104	OIL RETURN PIPE		1	



## 1004C-P4TRT90N21-27 (cont'd.)

No.	Part No.	Description	Version	QTY.	Remark
22	T0576113	NUT		1	
23	T0566004	OLIVE BODY		1	

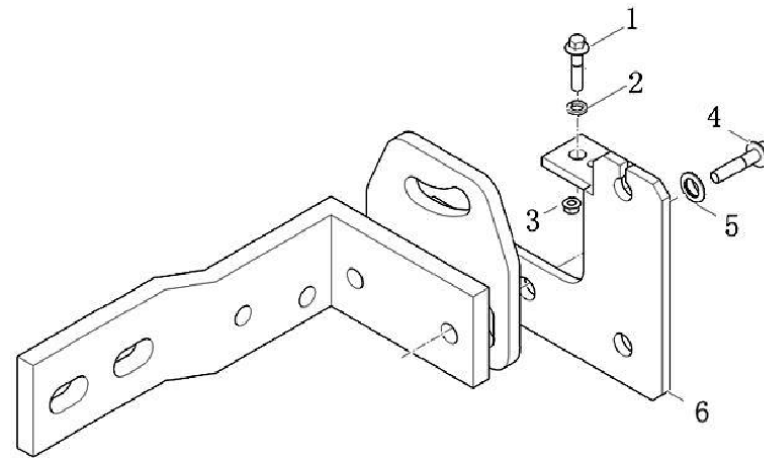
1004C-P4TRT90N21-28



## 1004C-P4TRT90N21-28

No.	Part No.	Description	Version	QTY.	Remark
1	T751010041	FRONT CONDOLE EAR		1	
2	T2314J003	BOLT		3	
3	T751020018	REAR HANGING EAR		1	
4	T2314J003	BOLT		2	

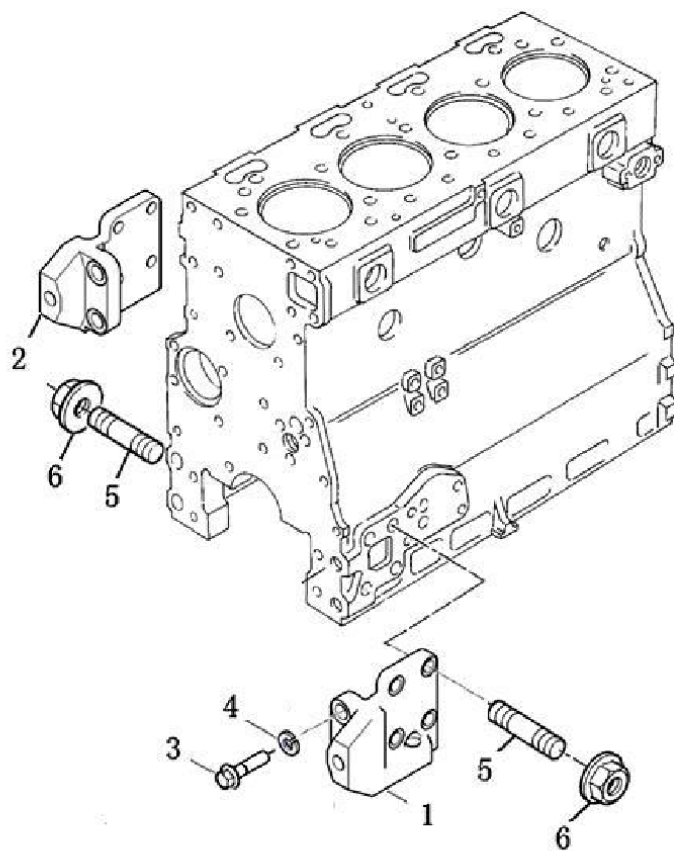
1004C-P4TRT90N21-29



## 1004C-P4TRT90N21-29

No.	Part No.	Description	Version	QTY.	Remark
1	Q150B0835Q	BOLT		1	
2	Q40308	SPRING WASHER		1	
3	T2318A603	BOLT		1	
4	Q150B0835Q	BOLT		2	
5	Q40108	WASHER		2	
6	T73201638	BRACKET		1	

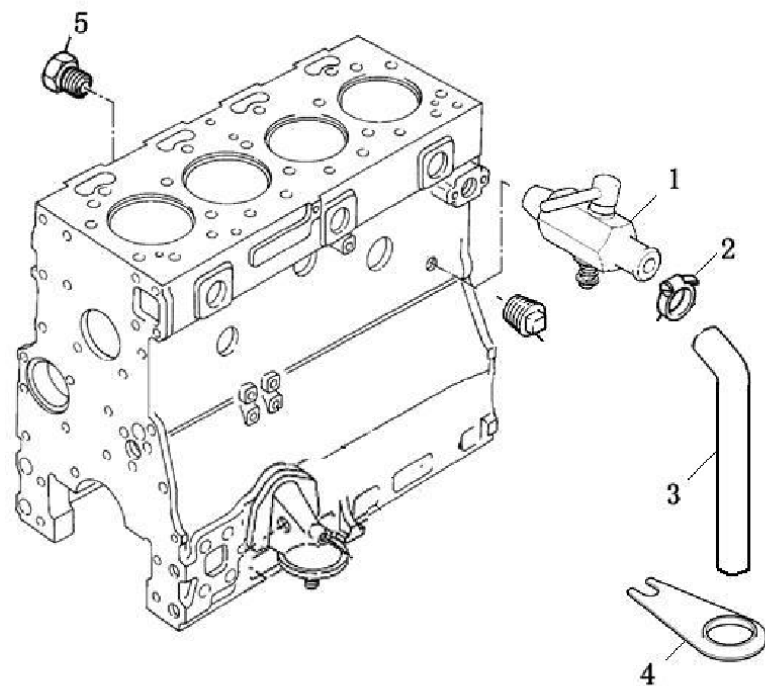
1004C-P4TRT90N21-30



## 1004C-P4TRT90N21-30

No.	Part No.	Description	Version	QTY.	Remark
1	T66003001	LEFT FRONT BRACKET		1	
2	T66003002	RIGHT FRONT BRACKET		1	
3	Q150B1640Q	BOLT		4	
4	Q40316	SPRING WASHER		4	
5	T2313M101	STUD		8	
6	T2318A605	NUT		8	

1004C-P4TRT90N21-31

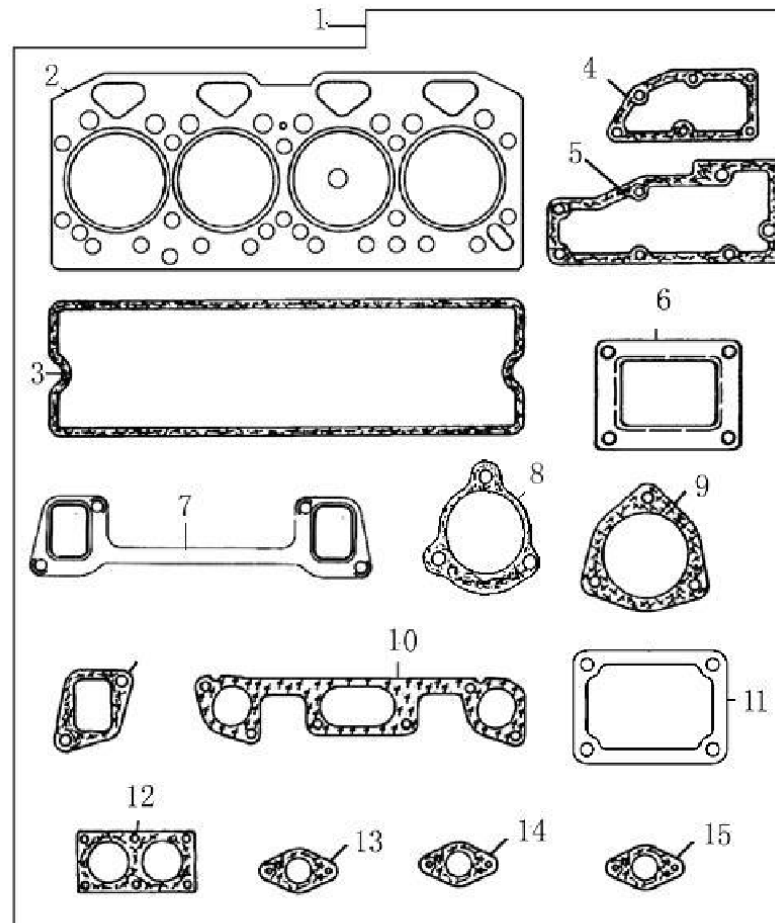




## 1004C-P4TRT90N21-31

No.	Part No.	Description	Version	QTY.	Remark
1	T712410017M	DRAIN SWITCH		1	
2	T0180063	HOOP		1	
3	T64403007	DRAIN PIPE		1	
4	T64403008	BRACKET		1	
5	T32161114	PLUG		1	

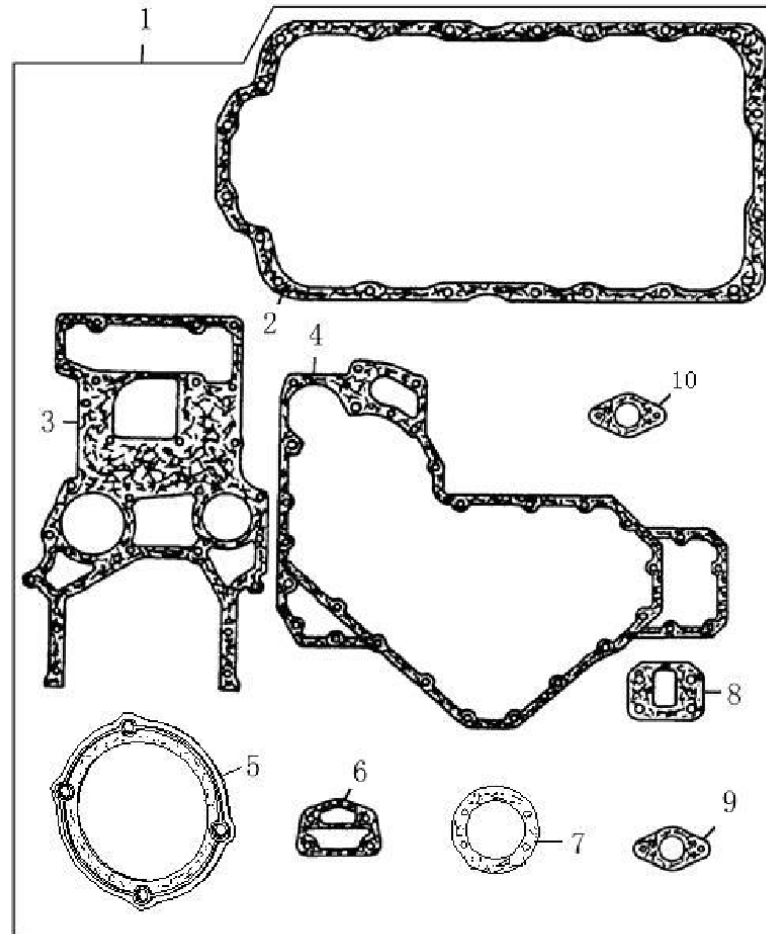
1004C-P4TRT90N21-32



## 1004C-P4TRT90N21-32

No.	Part No.	Description	Version	QTY.	Remark
1	TU5LT0178	TOP WASHER		1	

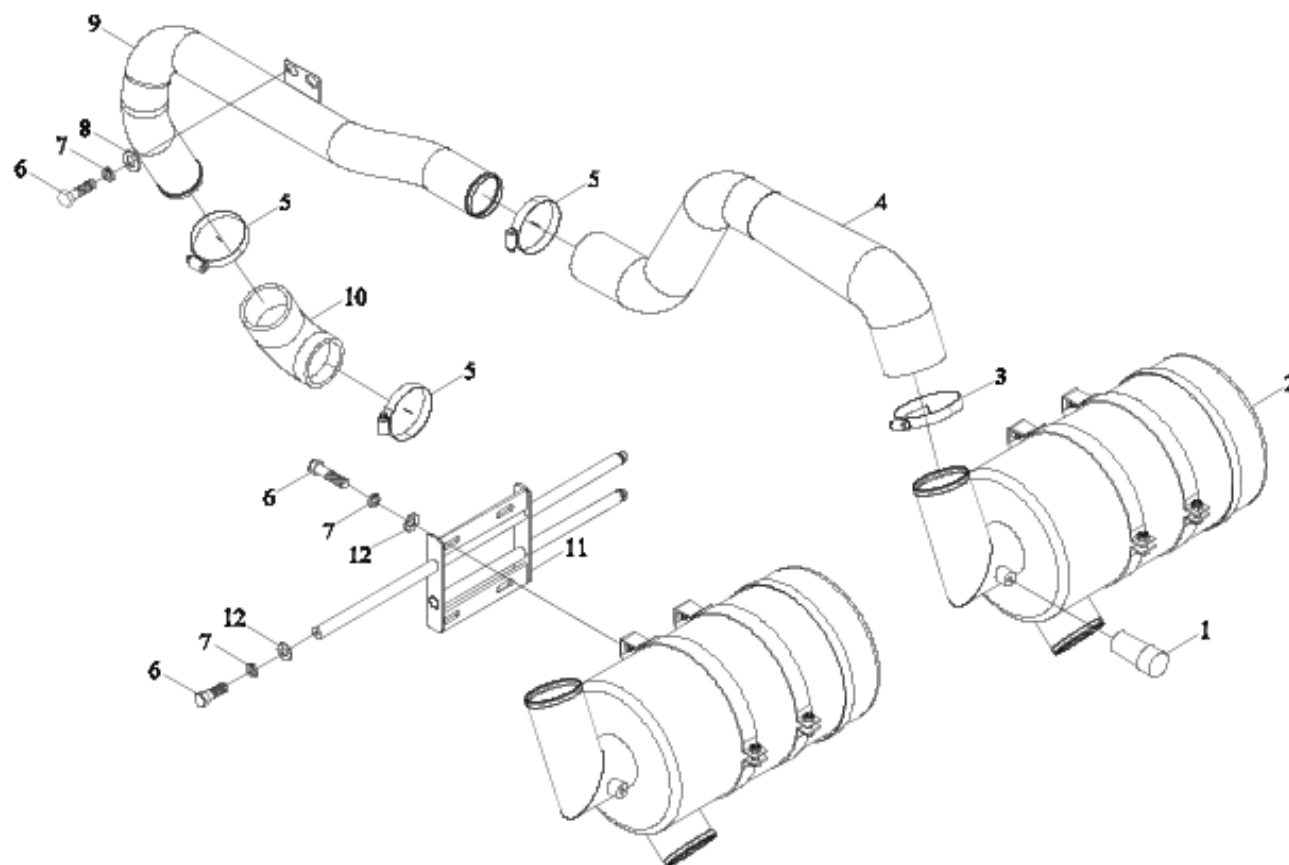
1004C-P4TRT90N21-33



## 1004C-P4TRT90N21-33

No.	Part No.	Description	Version	QTY.	Remark
1	TU5LB0051	BOTTOM WASHER		1	

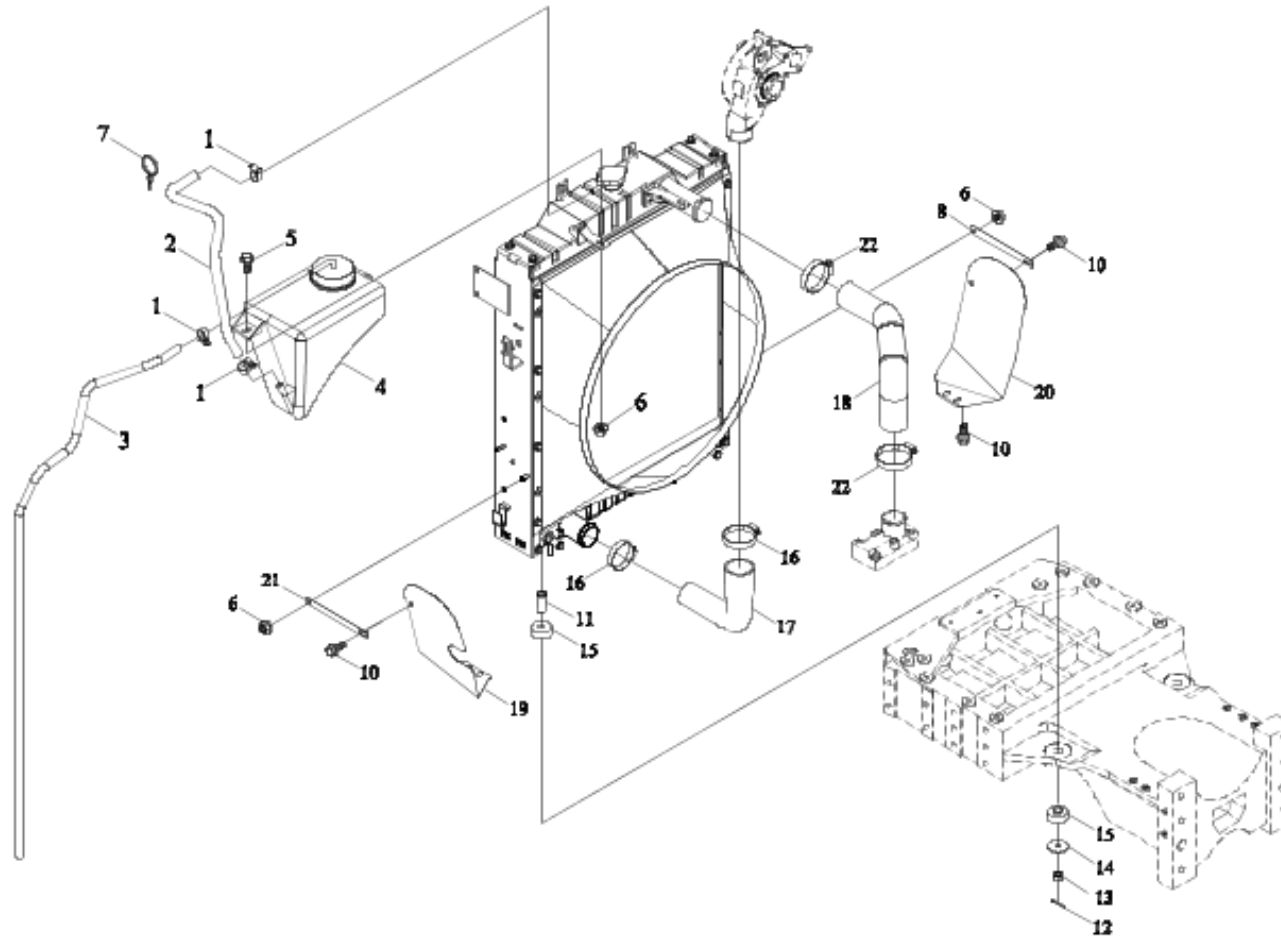
## TC05110090000K AIR FILTER SYSTEM ASSEMBLY



## TC05110090000K AIR FILTER SYSTEM ASSEMBLY

No.	Part No.	Description	Version	QTY.	Remark
	TC05110090000K	AIR FILTER SYSTEM ASSEMBLY		1	
1	TD900. 11A-01	AIR FILTER MAINTENANCE INDICATOR		1	
2	FT800A. 11. 010	AIR FILTER ASSEMBLY		1	
3	Q67689	B-TYPE WORM TRANSMISSION HOSE CLAMP		1	
4	TC05110090001K	AIR INLET HOSE 2		1	
5	Q67676	B-TYPE WORM TRANSMISSION HOSE CLAMP		3	
6	GBT5783-M8X20-8. 8-A2L	HEXAGON BOLT		9	
7	GBT93-8-A3L	STANDARD SPRING WASHER		9	
8	GBT96. 1-8-A3L	BIG WASHER		2	
9	TC05110090002K	AIR INLET PIPE WELDMENT		1	
10	TD800. 11A-01	AIR INLET HOSE 1		1	
11	FT800A. 11. 011	BRACKET WELDMENT		1	
12	GBT97. 1-8-A3L	FLAT WASHER		7	

## TC0513110000K COOLING SYSTEM ASSEMBLY-1

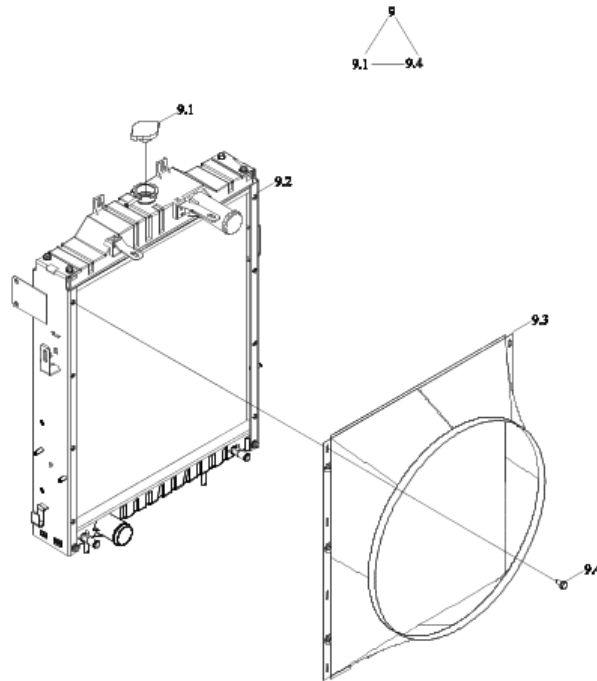




## TC0513110000K COOLING SYSTEM ASSEMBLY-1

No.	Part No.	Description	Version	QTY.	Remark
	TC0513110000K	COOLING SYSTEM ASSEMBLY		1	
1	Q673B11	STEEL STRIP ELASTIC HOOP		3	
2	TD800. 131J-01	BREATH RUBBER PIPE		1	
3	TK1300200002	BREATH RUBBER PIPE		1	
4	TD900. 131. 2	AUXILIARY RADIATOR ASSEMBLY		1	
5	GBT5789-M8X20-8. 8-A2L	HEXAGON FLANGE NUT		6	
6	GBT6177. 1-M8-8-A2L	HEXAGON FLANGE NUT		4	
7	Q67405200	PLASTIC FASTENING STRIP		1	
8	TS06131010010	INSTALLATION PLATE 1		1	
10	GBT5789-M8X16-8. 8-A2L	HEXAGON FLANGE NUT		2	
11	TD800. 131-12	SLEEVE		2	
12	GBT91-2. 5X32-A3L	SPLIT PIN		2	
13	GBT6178-M10-8-A3L	HEXAGON SLOTTED NUT, STYLE 1		2	
14	FT650. 13. 116	WASHER		2	
15	TD800. 131-11	RUBBER WASHER		4	
16	Q67670	B-TYPE WORM TRANSMISSION HOSE CLAMP		2	
17	TD1000. 131F-02	WATER TANK OUTLET RUBBER HOSE		1	
18	TD1000. 131F-01	WATER RETURN PIPE		1	
19	TC03131080005	LEFFT GUARD PLATE WELDMENT		1	
20	TC03131080007	RIGHT GUARD PLATE WELDMENT		1	
21	TS06131010007	INSTALLATION PLATE		1	
22	Q67664	B-TYPE WORM TRANSMISSION HOSE CLAMP		2	

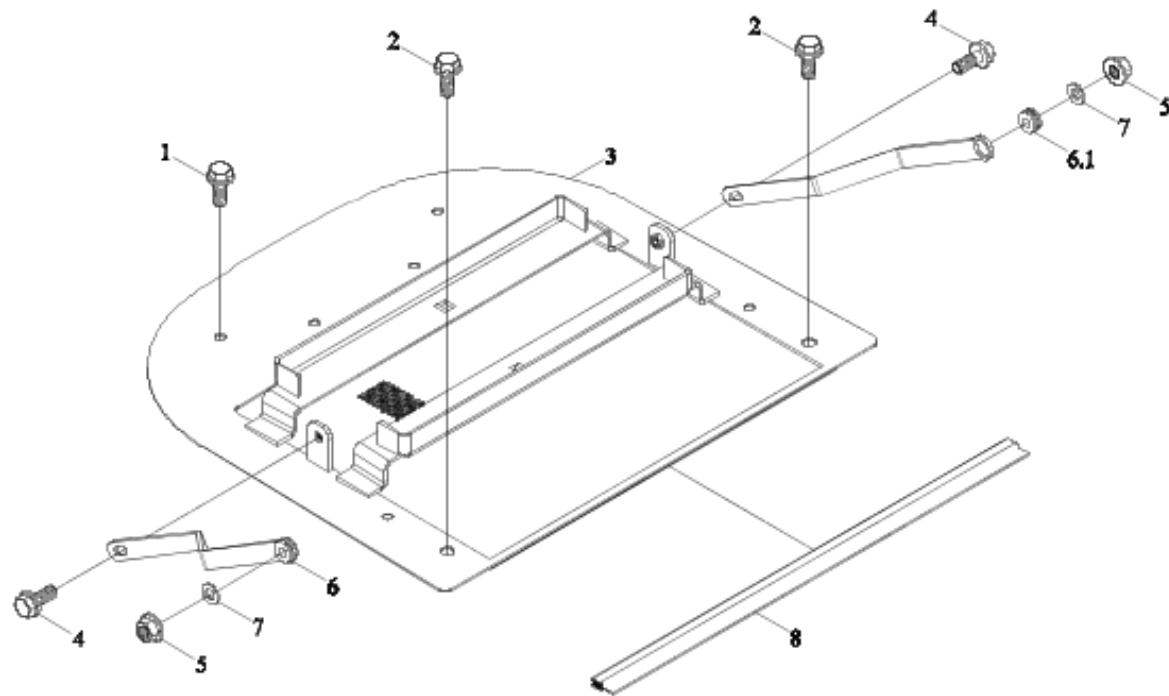
TC0513110000K COOLING SYSTEM ASSEMBLY-2



## TC0513110000K COOLING SYSTEM ASSEMBLY-2

No.	Part No.	Description	Version	QTY.	Remark
9	TC05131100001K	RADIATOR ASSEMBLY		1	
9.1	TB400.13.2	RADIATOR COVER 0.7		1	
9.2	TC05131100002K	WATER COOLING RADIATOR ASSEMBLY		1	
9.3	TC03131080004	WINDGUIDECOVER		1	
9.4	GBT5789-M8X16-8.8-A2L	HEXAGON FLANGE NUT		8	

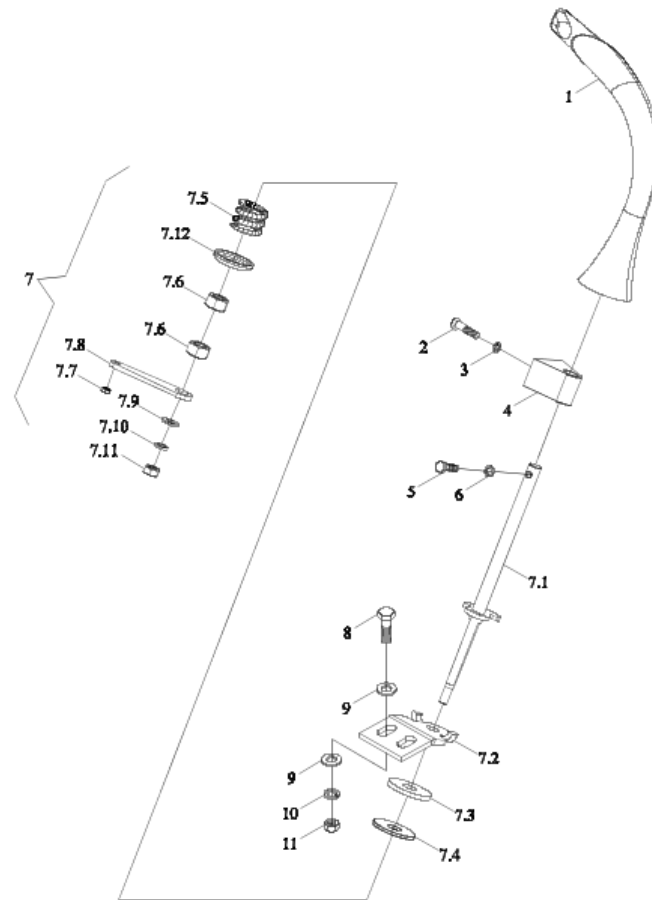
## TC05132030000K RADIATOR BACKING BOARD INSTALLATION ASSEMBLY



## TC05132030000K RADIATOR BACKING BOARD INSTALLATION ASSEMBLY

No.	Part No.	Description	Version	QTY.	Remark
	TC05132030000K	RADIATOR BACKING BOARD INSTALLATION ASSEMBLY		1	
1	GBT5789-M10X20-8.8-A2L	HEXAGON FLANGE NUT		4	
2	GBT5789-M12X20-10.9-A2L	HEXAGON FLANGE NUT		2	
3	TC05132030001K	RADIATOR BACKING BOARD WELDMENT		1	
4	GBT5789-M8X20-8.8-A2L	HEXAGON FLANGE NUT		2	
5	GBT6177.1-M8-8-A2L	HEXAGON FLANGE NUT		2	
6	TS06132010005	PULL ROD UNIT		2	
6.1	TS04132010003	RUBBER WASHER		1	
7	GBT96.1-8-A3L	BIG WASHER		2	
8	TS06132010007	SEAL RUBBER STRIP		1	

TS06201010000 HAND THROTTLE CONTROL ASSEMBLY



## TS06201010000 HAND THROTTLE CONTROL ASSEMBLY

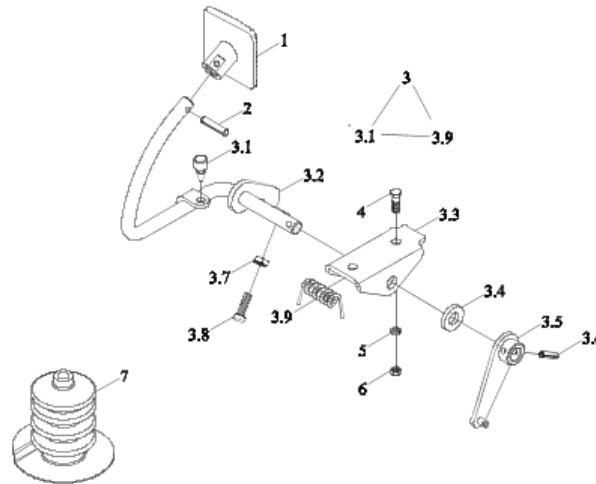
No.	Part No.	Description	Version	QTY.	Remark
	TS06201010000	HAND THROTTLE CONTROL ASSEMBLY		1	
1	TS06201010001	HANDLE ASSEMBLY		1	
2	GBT5783-M8X16-8. 8-A2L	HEXAGON BOLT		2	
3	GBT93-8-A0P	STANDARD SPRING WASHER		1	
4	TS06201010002	GUIDE SEAT		1	
5	GBT5783-M6X20-8. 8-A2L	HEXAGON BOLT		1	
6	GBT93-6-A0P	STANDARD SPRING WASHER		1	
7	TS06201010003	HAND THROTTLE CONTROL MECHANISM		1	
7.1	TS06201010005	HAND THROTTLE CONTROL ROD WELDMENT		1	
7.2	TG1204. 20A. 2-01	HAND THROTTLE SUPPORTING PLATE		1	
7.3	FT300. 43. 159	HAND BRAKE FRICTION DISC		1	
7.4	TS06201010008	BIG WASHER		1	
7.5	TS06201010007	SPRING		1	
7.6	GBT6173-M12X1. 25-05-A2L	HEXAGON THIN NUT		2	
7.7	GBT6184-M5-8	I -HEXAGON BLOCKNUT		1	
7.8	TS06201010009	HAND THROTTLE ROCKER		1	
7.9	GBT97. 1-8-A0P	FLAT WASHER		1	
7.10	GBT93-8-A0P	STANDARD SPRING WASHER		1	
7.11	GBT6170-M8-8-A2L	HEXAGON NUT, TYPE-1		1	
7.12	TS06201010006	SPRING SEAT		1	
8	GBT5783-M10X25-8. 8-A3L	HEXAGON BOLT		2	
9	GBT97. 1-10-A0P	FLAT WASHER		4	

## TS06201010000 HAND THROTTLE CONTROL ASSEMBLY (cont'd.)

No.	Part No.	Description	Version	QTY.	Remark
10	GBT93-10-A0P	STANDARD SPRING WASHER		2	
11	GBT6170-M10-8-A3L	HEXAGON NUT, TYPE-1		2	



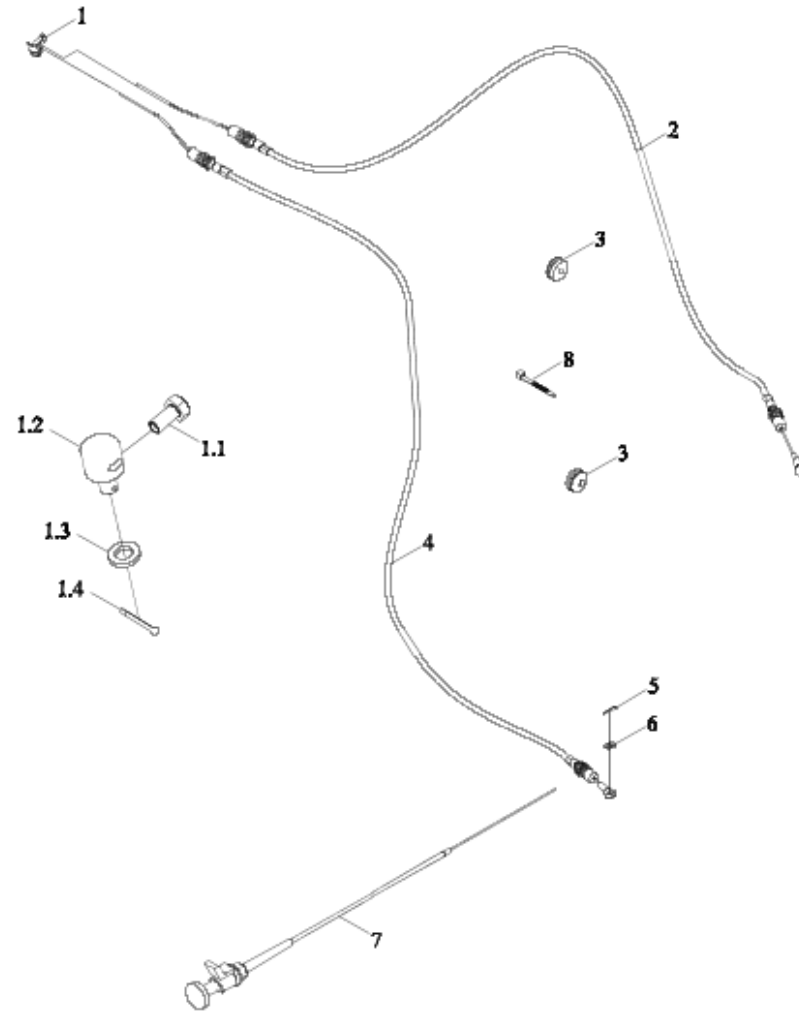
TS06202010000 FOOT THROTTLE CONTROL ASSEMBLY



## TS06202010000 FOOT THROTTLE CONTROL ASSEMBLY

No.	Part No.	Description	Version	QTY.	Remark
	TS06202010000	FOOT THROTTLE CONTROL ASSEMBLY		1	
1	FT650.20.117	LIMIT PLATE		1	
2	GBT879.1-5X20-AOP	SPRING COLUMN PIN		1	
3	TD800.202.1	FOOT THROTTLE CORNET ASSEMBLY		1	
3.1	FT650.20.107	RUBBER PLUG		1	
3.2	FT800.20.013	FOOT PEDAL ROCKER WELDMENT		1	
3.3	FT650.20.108	THROTTLE BRACKET		1	
3.4	TD800.202.1-01	WASHER		1	
3.5	FT650.20.011	FOOT THROTTLE ROCKER WELDMENT		1	
3.6	GBT879.1-5X20-AOP	SPRING COLUMN PIN		1	
3.7	GBT6172.1-M8-04-A2L	HEXAGON THIN NUT		1	
3.8	GBT5781-M8X45-4.8-A2L	HEXAGON BOLT		1	
3.9	FT650.20.104	TORSION SPRING		1	
4	GBT5781-M8X20-4.8-A2L	HEXAGON BOLT		2	
5	GBT93-8-AOP	STANDARD SPRING WASHER		2	
6	GBT6172.1-M8-04-A2L	HEXAGON THIN NUT		2	
7	TS06202010001	FOOT THROTTLE PEDAL SEAL SLEEVE		1	

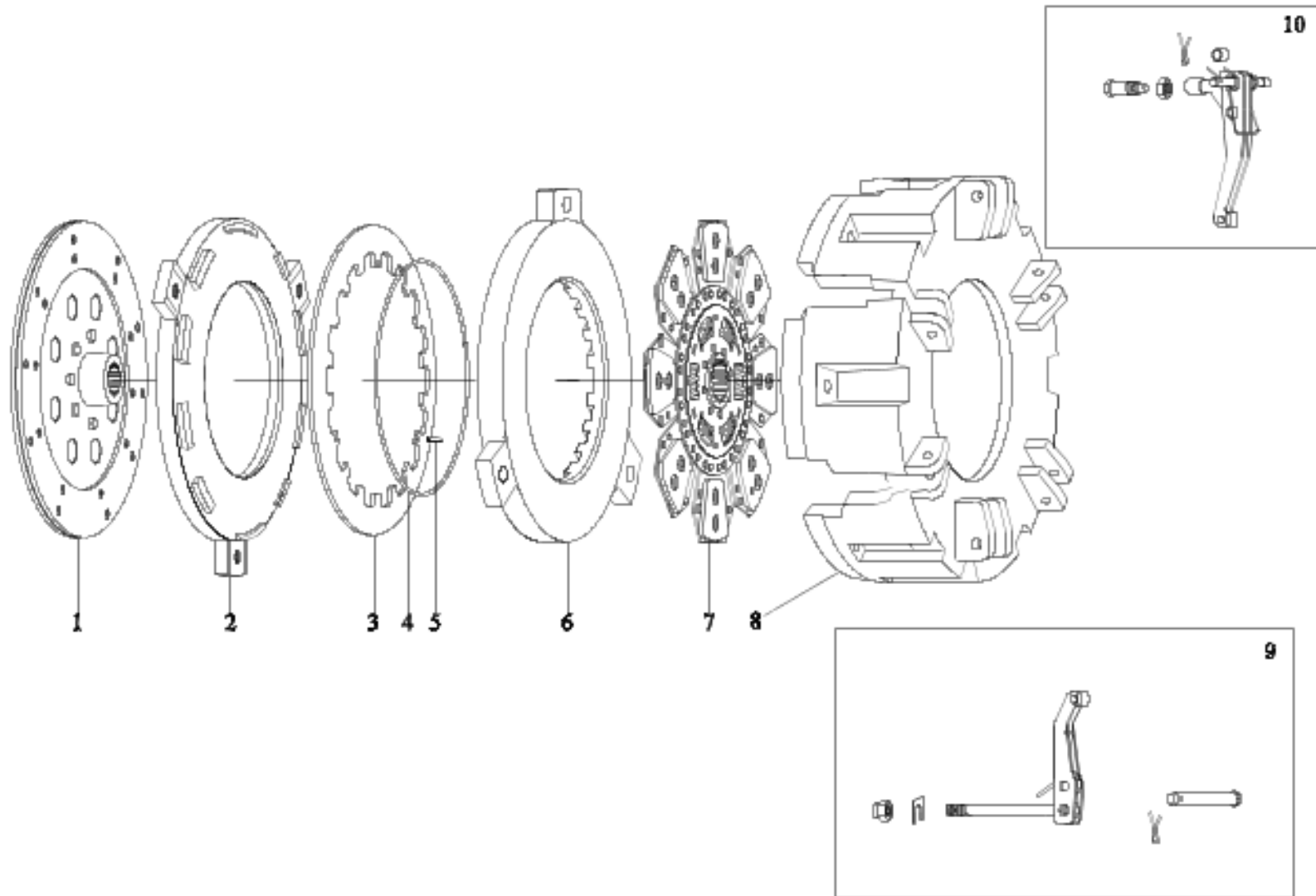
TS06203010000 PULL WIRE ASSEMBLY



## TS06203010000 PULL WIRE ASSEMBLY

No.	Part No.	Description	Version	QTY.	Remark
	TS06203010000	PULL WIRE ASSEMBLY		1	
1	TF1354.203.1	FIXING SEAT UNIT		1	
1.1	GBT5781-M5X10-4.8-A2L	HEXAGON BOLT		1	
1.2	TF1354.203.1-01	FIXING SEAT		1	
1.3	GBT848-6-A0P	SMALL WASHER		1	
1.4	GBT91-1.6X12-A0P	SPLIT PIN		1	
2	TS06203010001	HAND THROTTLE WIRE ASSEMBLY		1	
3	TG1204.20A-02	THROUGH HARNESS WASHER		2	
4	TS06203010002	FOOT THROTTLE WIRE ASSEMBLY		1	
5	GBT91-2X12-A0P	SPLIT PIN		1	
6	GBT97.1-6-A0P	FLAT WASHER		1	
7	TG1204.20B-03	EXTINGUISH WIRE ASSEMBLY		1	
8	Q67405100	PLASTIC FASTENING STRIP		2	

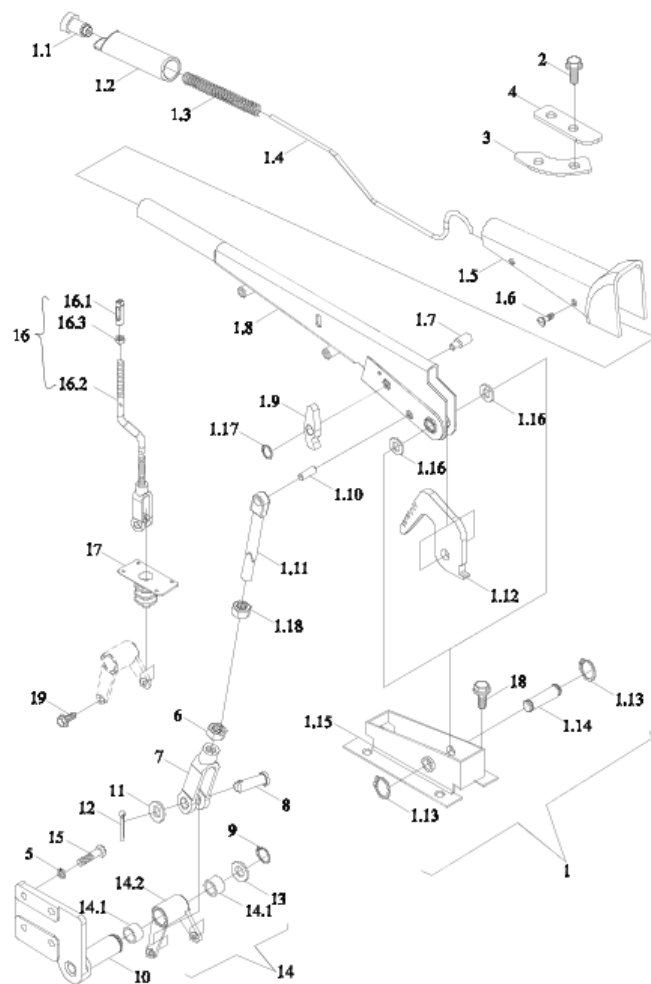
FT800. 21C. 001 CLUTCH ASSEMBLY



## FT800. 21C. 001 CLUTCH ASSEMBLY

No.	Part No.	Description	Version	QTY.	Remark
	L-02431-0074-13	CLUTCH SUBASSEMBLY		1	
1	L-03031-0757-04	AUXILIARY CLUTCH DRIVEN PLATE ASSEMBLY		1	
2	L-02103-0733-00	AUXILIARY CLUTCH PRESSURE PLATE		1	
3	L-04130-0003-01	FILM SPRING		1	
4	L-02165-0105-01	SUPPORT WASHER		1	
5	L-00454-0002-00	SPRING COLUMN PIN		1	
6	L-02103-0732-10	MAIN CLUTCH PRESSURE PLATE		1	
7	L-03031-0117-00	MAIN DRIVEN PLATE ASSEMBLY		1	
8	L-02101-0215-06	CLUTCH HOUSING		1	
9	L-02615-0031-02	AUXILIARY RELEASE LEVER ASSEMBLY		1	
10	L-02615-0051-02	MAIN RELEASE LEVER ASSEMBLY		1	

TD1S212010000 CLUTCH CONTROL MECHANISM ASSEMBLY-1



## TD1S212010000 CLUTCH CONTROL MECHANISM ASSEMBLY-1

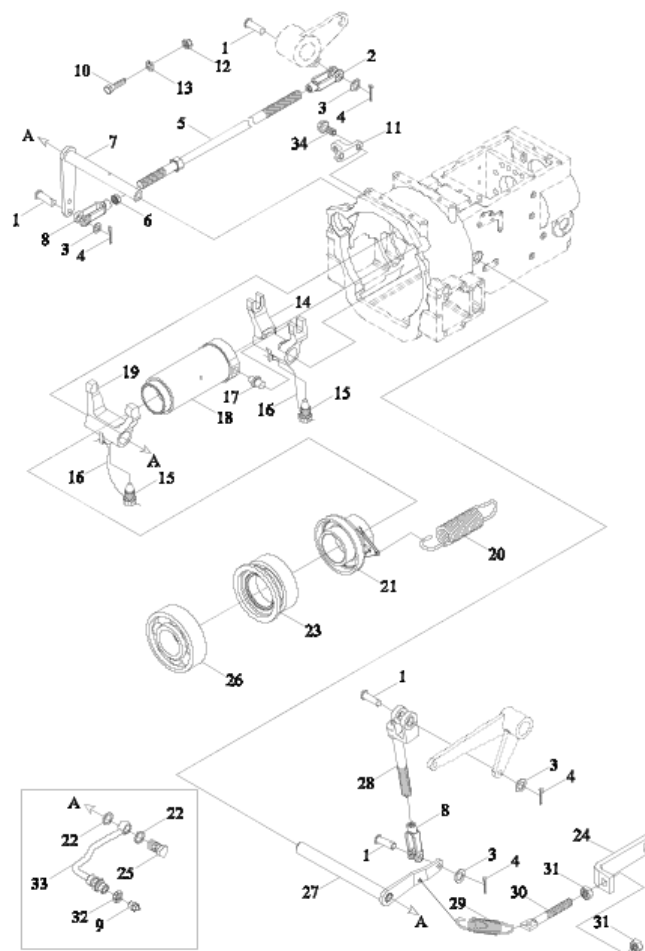
No.	Part No.	Description	Version	QTY.	Remark
	TD1S212010000	CLUTCH CONTROL MECHANISM ASSEMBLY		1	
1	TD3P212010001	AUXILIARY CLUTCH CONTROL HANDLE ASSEMBLY		1	
1.1	FT800A. 21. 045	BUTTON ASSEMBLY		1	
1.2	FT800A. 21. 319	CONTROLLING HANDLE SLEEVE		1	
1.3	FT800. 43. 180	SPRING		1	
1.4	FT800A. 21. 315	TOP ROD		1	
1.5	FT800A. 21. 320	BONNET		1	
1.6	GBT68-M4X10-4. 8-A2L	SLOTTED SCREW		4	
1.7	FT800A. 21. 322	SMALL PIN SHAFT		1	
1.8	FT800A. 21. 044	CONTROLLING HANDLE ASSEMBLY		1	
1.9	FT800A. 21. 314	PAWL		1	
1.10	FT800A. 21. 323	PIN		1	
1.11	TD3P212010002	AUXILIARY CLUTCH UPPER PULL ROD ASSEMBLY		1	
1.12	FT800A. 43. 310	RATCHET WHEEL		1	
1.13	GBT894. 1-14	CIRCLIP FOR SHAFT		2	
1.14	FT800A. 21. 321	PIN SHAFT		1	
1.15	TS06212010003	FIXING SEAT WELDMENT		1	
1.16	TS06212010009	WASHER		2	
1.17	GBT894. 1-6	CIRCLIP FOR SHAFT		1	
1.18	GBT6171-M14X1. 5-LH-8-A3L	HEXAGON NUT, TYPE-1		1	
2	GBT16674. 1-M6X16-8. 8-A2L	HEXAGON FLANGE NUT		4	
3	TS06212010025	PRESSURE PLATE 2		1	
4	TS06212010024	PRESSURE PLATE 1		1	



## TD1S212010000 CLUTCH CONTROL MECHANISM ASSEMBLY-1 (cont'd.)

No.	Part No.	Description	Version	QTY.	Remark
5	GBT93-10-A3L	STANDARD SPRING WASHER		8	
6	GBT6171-M10X1-8-A2L	HEXAGON NUT, TYPE-1		3	
7	FT800. 21. 240	PULL ROD FRONT FORK		2	
8	GBT882-B10X30-A3L	PIN SHAFT		6	
9	GBT894. 1-30	CIRCLIP FOR SHAFT		2	
10	TD2S212020009	AUXILIARY CLUTCH SUPPORT SHAFT WELDMENT		1	
11	GBT97. 1-10-A3L	FLAT WASHER		7	
12	GBT91-3. 2X32-A3L	SPLIT PIN		7	
13	GBT97. 1-30-A3L	FLAT WASHER		1	
14	FT800A. 21. 062a	AUXILIARY CLUTCH TURN HUB UNIT		1	
14. 1	TG1654. 212B. 1-01	SLEEVE		2	
14. 2	FT800A. 21. 338a	AUXILIARY CLUTCH TURN HUB		1	
15	GBT5782-M10X45-10. 9-A3L	HEXAGON BOLT		6	
16	TD1S212010009	LOWER PULL ROD ASSEMBLY		1	
16. 1	TA820. 212-03	ADJUSTING SLEEVE		1	
16. 2	TD1S212010010	PULL ROD WELDMENT		1	
16. 3	GBT6171-M14X1. 5-8-A3L	HEXAGON NUT, TYPE-1		1	
17	TS06212020001	SEAL SLEEVE		1	
18	GBT16674. 1-M8X20-8. 8-A2L	HEXAGON FLANGE NUT		4	
19	GBT16674. 1-M10X25-8. 8-A3L	HEXAGON FLANGE NUT		4	

TD1S212010000 CLUTCH CONTROL MECHANISM ASSEMBLY-2



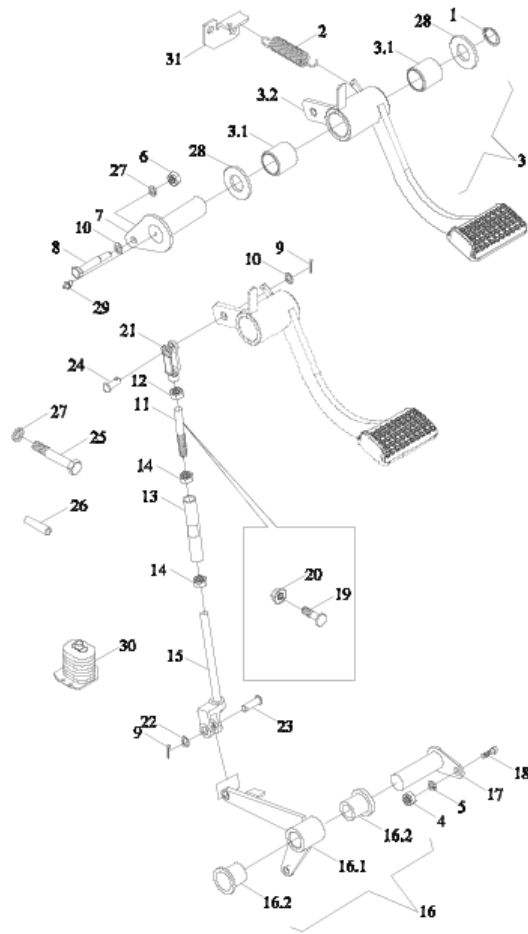
## TD1S212010000 CLUTCH CONTROL MECHANISM ASSEMBLY-2

No.	Part No.	Description	Version	QTY.	Remark
	TD1S212010000	CLUTCH CONTROL MECHANISM ASSEMBLY		1	
1	GBT882-B10X30-A3L	PIN SHAFT		6	
2	FT800. 21. 241	PULL ROD REAR FORK		1	
3	GBT97. 1-10-A3L	FLAT WASHER		7	
4	GBT91-3. 2X32-A3L	SPLIT PIN		7	
5	FT800A. 21. 059a	AUXILIARY CLUTCH PULL ROD WELDMENT		1	
6	GBT6171-M10X1-8-A2L	HEXAGON NUT, TYPE-1		3	
7	FT800. 21. 028	AUXILIARY CLUTCH SWING SHAFT WELDMENT		1	
8	FT800. 21. 240	PULL ROD FRONT FORK		2	
9	JBT7940. 1-M8X1	STRAIGHT FORCED FILLING OIL CUP		5	
10	GBT5783-M10X60-8. 8-A3L	HEXAGON BOLT		1	
11	FT800. 21. 212	LIMITING SEAT		1	
12	GBT6170-M10-8-A3L	HEXAGON NUT, TYPE-1		2	
13	GBT93-10-A3L	STANDARD SPRING WASHER		8	
14	FT800. 21. 204	MAIN CLUTCH FORK		1	
15	FT800. 21. 239	LOCKING SCREW		2	
16	TA800. 212B-02	LOW CARBON STEEL WIRE SZ-1. 4		2	
17	FT800. 21. 213	COLUMN PIN		2	
18	FT800. 21C. 205	MAIN CLUTCH RELEASE BEARING SEAT		1	
19	FT800. 21. 203	AUXILIARY CLUTCH FORK		1	
20	FT800. 21. 215	AUXILIARY CLUTCH RETURN SPRING		2	
21	FT800. 21c. 202a	AUXILIARY CLUTCH BEARING SEAT		1	
22	JBT982-8	COMBINED SEAL GASKET		8	

## TD1S212010000 CLUTCH CONTROL MECHANISM ASSEMBLY-2 (cont'd.)

No.	Part No.	Description	Version	QTY.	Remark
23	TA820. 213-10	RELEASE BEARING NTM8842		1	
24	TS07212010009	SPRING FIXED PLATE		1	
25	FT800A. 21. 388	HOLLOW BOLT		4	
26	TA800. 212-02	RELEASE BEARING 996713		1	
27	FT800A. 21. 058a	MAIN CLUTCH ROCKER SHAFT WELDMENT		1	
28	FT800A. 21. 080	MIDDLE ROD WELDMENT		1	
29	FT800A. 21. 383	RETURN SPRING		1	
30	FT800. 21. 207	ADJUSTING SCREW		1	
31	GBT6170-M8-8-A2L	HEXAGON NUT, TYPE-1		3	
32	GBT6172. 1-M12-04-A3L	HEXAGON THIN NUT		4	
33	FT800A. 21. 387	LUBRICATING OIL PIPE		4	
34	GBT16674. 1-M10X20-8. 8-A3L	HEXAGON FLANGE NUT		2	

TD1S212010000 CLUTCH CONTROL MECHANISM ASSEMBLY-3



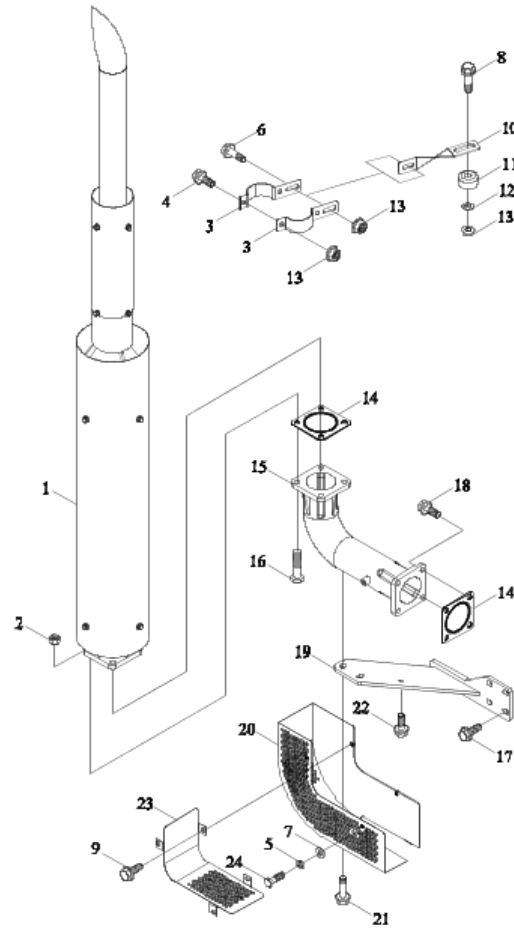
## TD1S212010000 CLUTCH CONTROL MECHANISM ASSEMBLY-3

No.	Part No.	Description	Version	QTY.	Remark
	TD1S212010000	CLUTCH CONTROL MECHANISM ASSEMBLY		1	
1	GBT894. 1-30	CIRCLIP FOR SHAFT		2	
2	TC02212020013	PEDAL RETURN SPRING		1	
3	TD1S212010002	CLUTCH ROCKER UNIT		1	
3.1	TH04212010029	SLEEVE		2	
3.2	TD1S212010003	CLUTCH ROCKER WELDMENT		1	
4	GBT6170-M8-8-A2L	HEXAGON NUT, TYPE-1		3	
5	GBT93-8-A3L	STANDARD SPRING WASHER		1	
6	GBT6170-M10-8-A3L	HEXAGON NUT, TYPE-1		2	
7	TH04212010026	CLUTCH PEDAL SUPPORTING SHAFT WELDMENT		1	
8	TH04212010025	LIMIT BOLT		1	
9	GBT91-3. 2X32-A3L	SPLIT PIN		7	
10	GBT97. 1-10-A3L	FLAT WASHER		7	
11	TH04212010024	UPPERLINK		1	
12	GBT6171-M10X1-8-A2L	HEXAGON NUT, TYPE-1		3	
13	FT800A. 21. 353	MIDDLE ROD		1	
14	GBT6171-M10X1-LH-8-A2L	HEXAGON NUT, TYPE-1		2	
15	TD1S212010007	MAIN CLUTCH LONG PULL ROD WELDMENT		1	
16	TD1S212010004	TRANSITION LEVER PRESSURE UNIT		1	
16.1	TD1S212010005	TRANSITION LEVER WELDMENT		1	
16.2	FT800A. 21. 380	SUPPORT SHAFT BUSH		2	
17	TC03212010020	TRANSITION LEVER SUPPORT SHAFT WELDMENT		1	
18	GBT5783-M8X20-8. 8-A2L	HEXAGON BOLT		1	

## TD1S212010000 CLUTCH CONTROL MECHANISM ASSEMBLY-3 (cont'd.)

No.	Part No.	Description	Version	QTY.	Remark
19	FT800. 43. 030	ADJUSTING SCREW UNIT		1	
20	GBT6177. 1-M10-8-A3L	HEXAGON FLANGE NUT		1	
21	FT800A. 43B. 119	LEFT REVOLVING PULL ROD FORK		1	
22	GBT97. 1-12-A3L	FLAT WASHER		1	
23	GBT882-B12X30-A3L	PIN SHAFT		1	
24	GBT882-B10X30-A3L	PIN SHAFT		6	
25	GBT5782-M10X45-10. 9-A3L	HEXAGON BOLT		6	
26	GBT119. 1-10m6X26-A3L	COLUMN PIN		2	
27	GBT93-10-A3L	STANDARD SPRING WASHER		8	
28	GBT97. 1-30-A3L	FLAT WASHER		1	
29	JBT7940. 1-M8X1	STRAIGHT FORCED FILLING OIL CUP		5	
30	TS06212010022	SEAL SLEEVE		1	
31	TD1S212010001	SPRING BRACKET		1	

## TS06220030000 EXHAUST SYSTEM ASSEMBLY





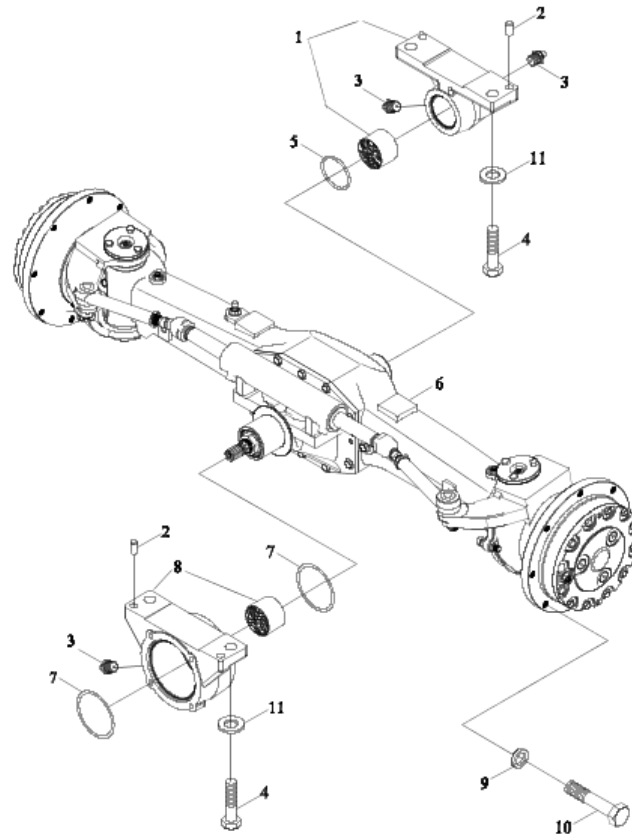
## TS06220030000 EXHAUST SYSTEM ASSEMBLY

No.	Part No.	Description	Version	QTY.	Remark
	TS06220030000	EXHAUST SYSTEM ASSEMBLY		1	
1	TD1200.22.1	MUFFLER ASSEMBLY		1	
2	SPL6175PT-M10X1.5-8F3	HEXAGON SELF-LOCKING NUT, STYLE 2		4	
3	TD1200.22B-01	CLAMP HOOP		2	
4	GBT5789-M8X16-8.8-A2L	HEXAGON FLANGE NUT		2	
5	GBT93-8-A0P	STANDARD SPRING WASHER		3	
6	GBT5789-M8X20-8.8-A2L	HEXAGON FLANGE NUT		1	
7	GBT97.1-8-A0P	FLAT WASHER		3	
8	GBT5789-M8X40-8.8-A2L	HEXAGON FLANGE NUT		1	
9	GBT5789-M6X16-8.8-A2L	HEXAGON FLANGE NUT		1	
10	TC05220040001	PULL ROD		1	
11	TC03220080007	UPPER RUBBER GASKET		1	
12	GBT96.1-8-A0P	BIG WASHER		1	
13	GBT6177.1-M8-8-A2L	HEXAGON FLANGE NUT		4	
14	FT900.22A.040	WASHER UNIT 2		2	
15	TS06220010012	EXHAUST BENDING PIPE		1	
16	GBT5783-M10X35-8.8-A3L	HEXAGON BOLT		4	
17	GBT5789-M10X25-8.8-A2L	HEXAGON FLANGE NUT		4	
18	GBT5789-M10X30-8.8-A2L	HEXAGON FLANGE NUT		4	
19	TS06220010001	BRACKET		1	
20	TS06220010004	DOWN GUARD NET WELDMENT		1	
21	GBT5789-M10X20-8.8-A2L	HEXAGON FLANGE NUT		2	
22	GBT5789-M6X12-8.8-A2L	HEXAGON FLANGE NUT		4	

## TS06220030000 EXHAUST SYSTEM ASSEMBLY (cont'd.)

No.	Part No.	Description	Version	QTY.	Remark
23	TS06220010003	UPPER SHIELD NET		1	
24	GBT5783-M8X16-8. 8-A2L	HEXAGON BOLT		3	

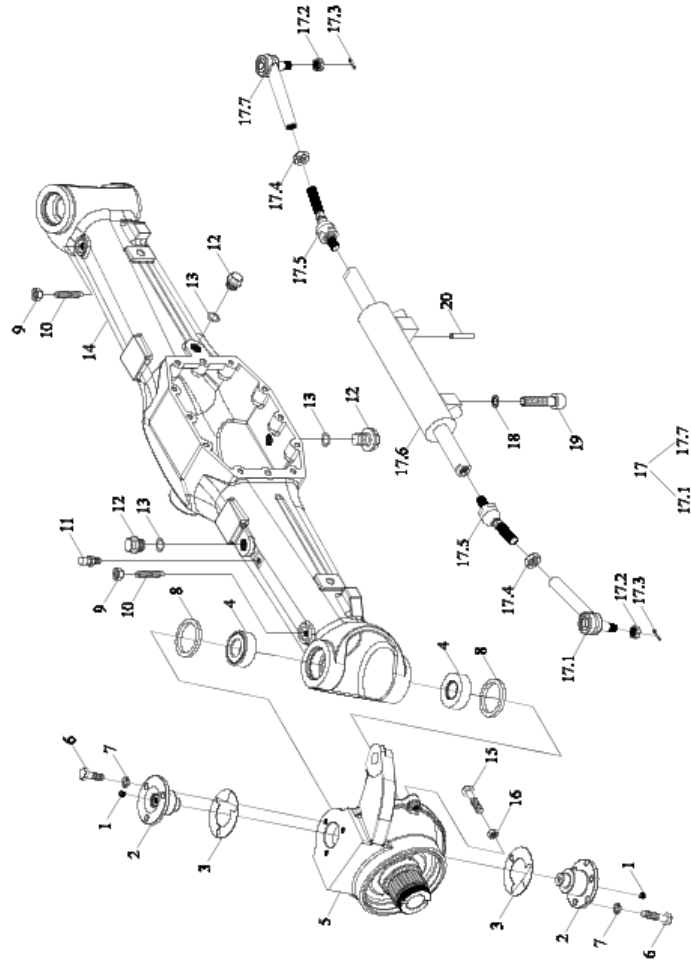
TD904. 311K FRONT AXLE ASSEMBLY-1



## TD904. 311K FRONT AXLE ASSEMBLY-1

No.	Part No.	Description	Version	QTY.	Remark
	TD904. 311K	FRONT AXLE ASSEMBLY		1	
1	TD904. 311G. 2	FRONT SUPPORT SEAT ASSEMBLY		1	
2	GBT119. 1-12h8X24-A0P	COLUMN PIN		4	
3	JBT7940. 1-M10X1	OIL CUP		1	
4	GBT5786-M18X1. 5X60-10. 9-A3L	BOLT		4	
5	GBT3452. 1-90. 0X3. 55G	RUBBER O-SEAL RING		1	
6	TD904. 311K. 1	FRONT DRIVING AXLE SUB-ASSEMBLY		1	
7	TD804. 311-02	O-RING		2	
8	TD904. 311G. 3	REAR SUPPORT SEAT ASSEMBLY		1	
9	FT654. 32. 104	WASHER		16	
10	GBT5786-M16X1. 5X40-10. 9-A3L	BOLT		16	
11	FT804. 31B. 120	WASHER		4	

TD904. 311K FRONT AXLE ASSEMBLY-2



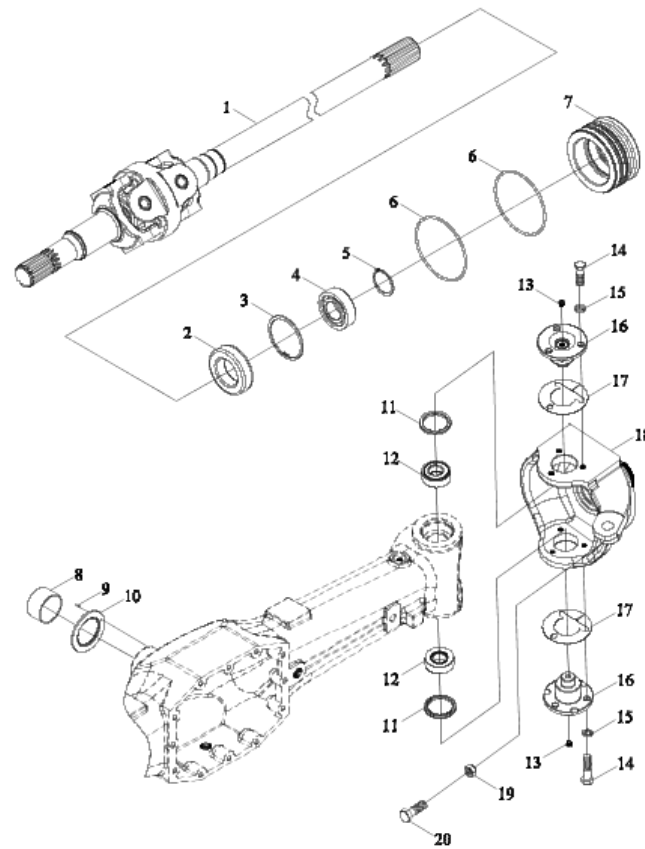
## TD904. 311K FRONT AXLE ASSEMBLY-2

No.	Part No.	Description	Version	QTY.	Remark
	TD904. 311K	FRONT AXLE ASSEMBLY		1	
	TD904. 311K. 1	FRONT DRIVING AXLE SUB-ASSEMBLY		1	
1	JBT7940. 1-M10X1	STRAIGHT FORCED FILLING OIL CUP		2	
2	TD904. 311K. 1-08	PRESSURE COVER		2	
3	TD904. 311K. 1-10	ADJUSTING GASKET		2	
4	TD904. 311K. 1-11	JOINT BEARING		2	
5	TD904. 311K. 1-02	LEFT STEERING BURL		1	
6	GBT5786-M12X1. 5X30-10. 9-A3L	HEXAGON BOLT		6	
7	GBT93-12-A0P	STANDARD SPRING WASHER		6	
8	TD904. 311K. 1-14	OIL SEAL		2	
9	GBT889. 1-M12-10	I -HEXAGON LOCKING NUT		2	
10	GBT72-M12X50-14H-A3L	SLOTTED SET SCREW		2	
11	TD904. 311K. 1. 6	AIRPLUG		1	
12	TD904. 311K. 1-13	SCREW PLUG		3	
13	GBT3452. 1-21. 2X2. 65G	RUBBER O-SEAL RING		3	
14	TD904. 311K. 1-01	AXLE HOUSING		1	
15	GBT5783-M14X60-10. 9-0	HEXAGON BOLT		1	
16	GBT6170-M14-8-A3L	HEXAGON NUT, TYPE-1		1	
17	TD904. 311K. 1. 2	STEERING OIL CYLINDER ASSEMBLY		1	
17. 1	TD904. 311K. 1. 2. 1	LEFT STEERING CONNECTING		1	
17. 2	TD904. 311K. 1. 2-02	SLOTTED NUT		2	
17. 3	GBT91-4X36-A0P	SPLIT PIN		2	
17. 4	TD904. 311K. 1. 2-03	NUT M24X1. 5		2	

## TD904. 311K FRONT AXLE ASSEMBLY-2 (cont'd.)

No.	Part No.	Description	Version	QTY.	Remark
17.5	TD904. 311K. 1. 2. 2	JOINT		2	
17.6	TD904. 311K. 1. 2-01	STEERING OIL CYLINDER		1	
17.7	TD904. 311K. 1. 2. 3	RIGHT STEERING CONNECTING		1	
18	GBT861. 1-16	WASHER		4	
19	GBT70. 1-M16X35-10.9	INNER HEXAGON SCREW		4	
20	GBT119. 1-12m6X26-A0P	COLUMN PIN		2	

## TD904. 311K FRONT AXLE ASSEMBLY-3

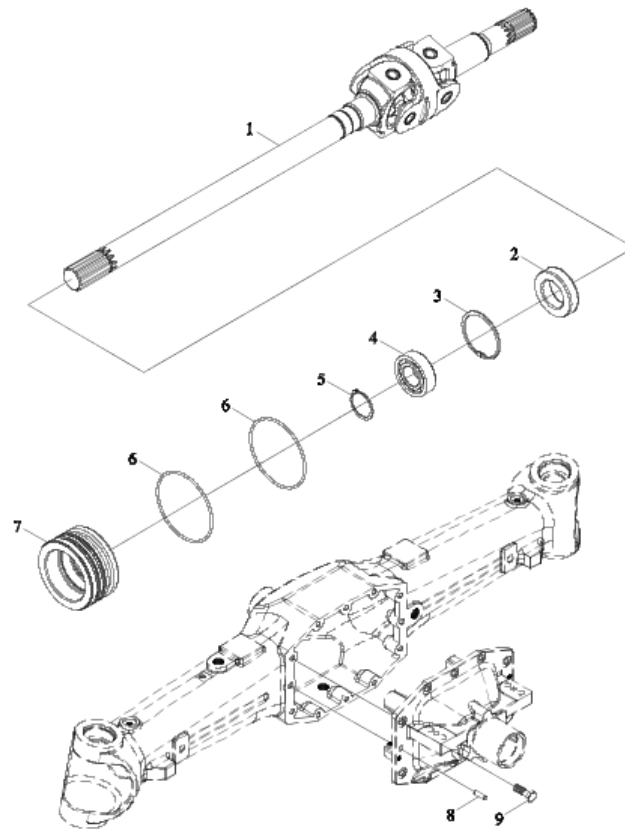




## TD904. 311K FRONT AXLE ASSEMBLY-3

No.	Part No.	Description	Version	QTY.	Remark
	TD904. 311K	FRONT AXLE ASSEMBLY		1	
	TD904. 311K. 1	FRONT DRIVING AXLE SUB-ASSEMBLY		1	
1	TD904. 311K. 1. 3	LEFT HALF SHAFT ASSEMBLY		1	
2	TD904. 311K. 1-09	OIL SEAL 40X68X18		1	
3	GBT893. 1-62	CIRCLIPS FOR HOLE		1	
4	GBT276-6007	DEEP GROOVE BALL BEARING		1	
5	GBT894. 1-35	CIRCLIP FOR SHAFT		1	
6	GBT3452. 1-85. 0X3. 55G	RUBBER O-SEAL RING		2	
7	TD904. 311K. 1-07	OIL SEAL SEAT		1	
8	TD904. 311K. 1-05	SHAFT SLEEVE		1	
9	GBT119. 1-5m6X12-A0P	COLUMN PIN		1	
10	TD904. 311K. 1-04	GASKET		1	
11	TD904. 311K. 1-14	OIL SEAL		2	
12	TD904. 311K. 1-11	JOINT BEARING		2	
13	JBT7940. 1-M10X1	STRAIGHT FORCED FILLING OIL CUP		2	
14	GBT5786-M12X1. 5X30-10. 9-A3L	HEXAGON BOLT		6	
15	GBT93-12-A0P	STANDARD SPRING WASHER		6	
16	TD904. 311K. 1-08	PRESSURE COVER		2	
17	TD904. 311K. 1-10	ADJUSTING GASKET		2	
18	TD904. 311K. 1-03	RIGHT STEERING BURL		1	
19	GBT6170-M14-8-A3L	HEXAGON NUT, TYPE-1		1	
20	GBT5783-M14X60-10. 9-0	HEXAGON BOLT		1	

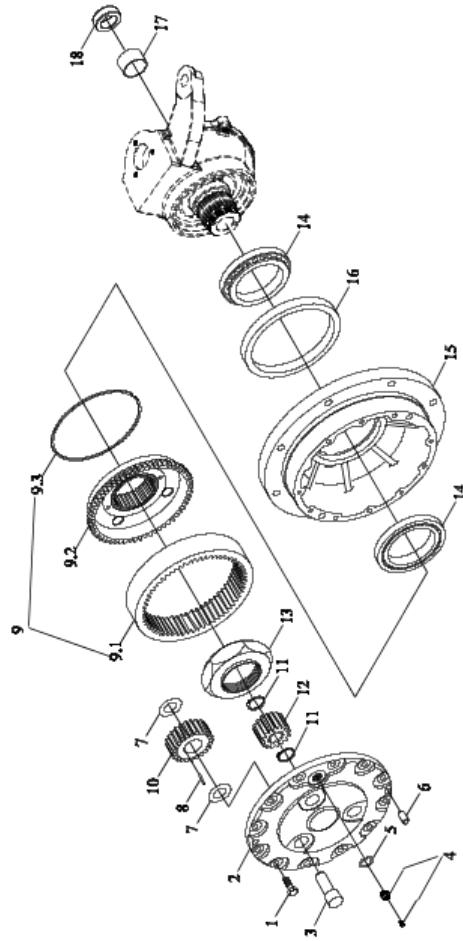
TD904. 311K FRONT AXLE ASSEMBLY-4



## TD904. 311K FRONT AXLE ASSEMBLY-4

No.	Part No.	Description	Version	QTY.	Remark
	TD904. 311K	FRONT AXLE ASSEMBLY		1	
	TD904. 311K. 1	FRONT DRIVING AXLE SUB-ASSEMBLY		1	
1	TD904. 311K. 1. 4	RIGHT HALF SHAFT ASSEMBLY		1	
2	TD904. 311K. 1-09	OIL SEAL 40X68X18		1	
3	GBT893. 1-62	CIRCLIPS FOR HOLE		1	
4	GBT276-6007	DEEP GROOVE BALL BEARING		1	
5	GBT894. 1-35	CIRCLIP FOR SHAFT		1	
6	GBT3452. 1-85. 0X3. 55G	RUBBER O-SEAL RING		2	
7	TD904. 311K. 1-07	OIL SEAL SEAT		1	
8	GBT119. 1-12m6X35-A0P	COLUMN PIN		2	
9	GBT5786-M12X1. 5X35-10. 9-A9L	HEXAGON BOLT		10	

TD904. 311K FRONT AXLE ASSEMBLY-5



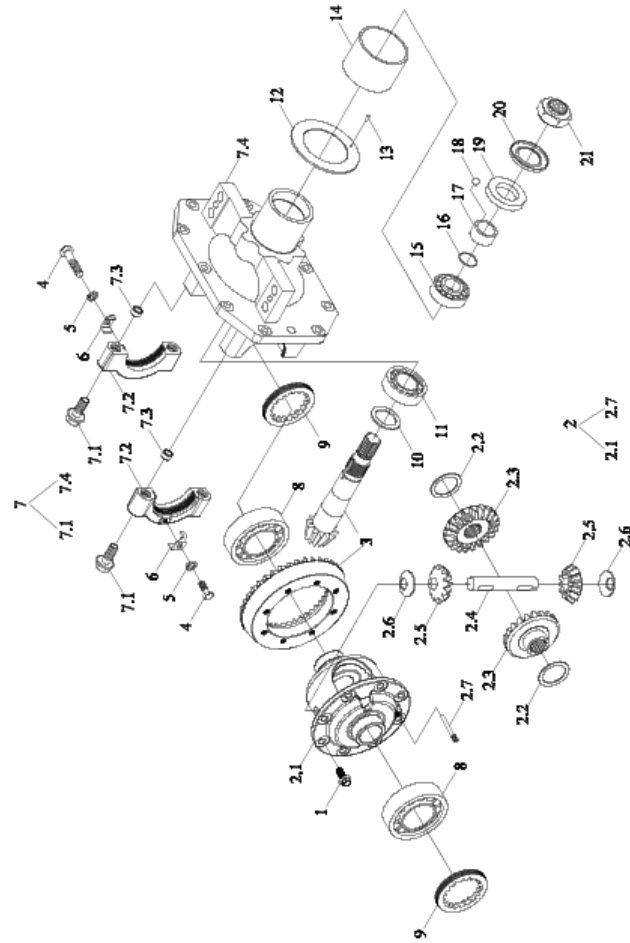
## TD904. 311K FRONT AXLE ASSEMBLY-5

No.	Part No.	Description	Version	QTY.	Remark
	TD904. 311K	FRONT AXLE ASSEMBLY		1	
	TD904. 311K. 1	FRONT DRIVING AXLE SUB-ASSEMBLY		1	
	TD904. 311K. 1. 5	WHEEL-END REDUCTION ASSEMBLY		1	
1	GBT5782-M10X35-10. 9-A3L	HEXAGON BOLT		12	
2	TD904. 311K. 1. 5-02	PLANETCARRIER		1	
3	TD904. 311K. 1. 5-04	SHAFT		3	
4	TD904. 311K. 1. 5. 2	PLUG		1	
5	GBT3452. 1-21. 2X2. 65G	RUBBER O-SEAL RING		1	
6	GBT119. 1-12m6X32-A0P	COLUMN PIN		2	
7	TD904. 311K. 1. 5-05	GASKET		6	
8	GBT309-P5X29. 8-G3X-3X-5	NEEDLE		57	
9	TD904. 311K. 1. 5. 1	GEAR RING		1	
9.1	TD904. 311K. 1. 5. 1-01	INNER GEAR RING		1	
9.2	TD904. 311K. 1. 5. 1-02	RING HUB		1	
9.3	TD904. 311K. 1. 5. 1-03	SNAP RING		1	
10	TD904. 311K. 1. 5-03	WHEEL PLANET GEAR		3	
11	GBT894. 1-32	CIRCLIP FOR SHAFT		2	
12	TD904. 311K. 1. 5-06	SUN GEAR		1	
13	TD904. 311K. 1. 5-12	NUT		1	
14	TD904. 311K. 1. 5-13	HUB BEARING		2	
15	TD904. 311K. 1. 5-01	HUB		1	
16	TD904. 311K. 1. 5-09	HUB OIL SEAL		1	

## TD904. 311K FRONT AXLE ASSEMBLY-5 (cont'd.)

No.	Part No.	Description	Version	QTY.	Remark
17	TD904. 311K. 1. 5-08	SLEEVE		1	
18	TD904. 311K. 1. 5-11	OIL SEAL 42X62X21. 5		1	

TD904. 311K FRONT AXLE ASSEMBLY-6



## TD904. 311K FRONT AXLE ASSEMBLY-6

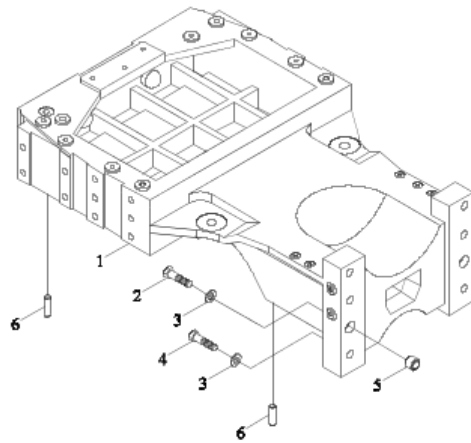
No.	Part No.	Description	Version	QTY.	Remark
	TD904. 311K	FRONT AXLE ASSEMBLY		1	
	TD904. 311K. 1	FRONT DRIVING AXLE SUB-ASSEMBLY		1	
	TD904. 311K. 1. 1	MAIN REDUCER ASSEMBLY		1	
1	TD904. 311K. 1. 1-09	BOLT		8	
2	TD904. 311K. 1. 1. 3	DIFFERENTIAL ASSEMBLY		1	
2.1	TD904. 311K. 1. 1. 3-01	DIFFERENTIAL HOUSING		1	
2.2	TD904. 311K. 1. 1. 3-02	MAT		2	
2.3	TD904. 311K. 1. 1. 3-04	HALF SHAFT GEAR		2	
2.4	TD904. 311K. 1. 1. 3-05	SHAFT		1	
2.5	TD904. 311K. 1. 1. 3-03	PLANETARY BEVEL GEARING		2	
2.6	TD904. 311K. 1. 1. 3-06	GASKET		2	
2.7	TD904. 311K. 1. 1. 3-07	PIN		1	
3	TD904. 311K. 1. 1. 2	BEVEL GEAR		1	
4	GBT5786-M10X1.25X20-10.9	HEXAGON BOLT		2	
5	GBT93-10-AOP	STANDARD SPRING WASHER		2	
6	TD904. 311K. 1. 1-07	LOCK SHIM		2	
7	TD904. 311K. 1. 1. 1	HOUSING		1	
8	GBT297-32012	TAPERED ROLLER BEARING		2	
9	TD904. 311K. 1. 1-06	NUT		2	
10	TD904. 311K. 1. 1-05	ADJUSTING GASKET		1	
11	TD904. 311K. 1. 1-11	BEARING		1	
12	TD904. 311K. 1. 1-01	GASKET		1	
13	GBT119.1-5m6X12-AOP	COLUMN PIN		1	



## TD904. 311K FRONT AXLE ASSEMBLY-6 (cont'd.)

No.	Part No.	Description	Version	QTY.	Remark
14	TD904. 311K. 1. 1-02	SHAFT SLEEVE		1	
15	GBT297-33207	TAPERED ROLLER BEARING		1	
16	GBT3452. 1-31. 5X1. 80G	RUBBER O-SEAL RING		1	
17	TD904. 311K. 1. 1-03	OIL SEAL SEAT		1	
18	GBT308-6-G100-b	STEEL BALL		1	
19	TD904. 311K. 1. 1-10	OIL SEAL		1	
20	TD904. 311K. 1. 1-08	DISH		1	
21	TD904. 311K. 1. 1-04	LOCKING NUT		1	

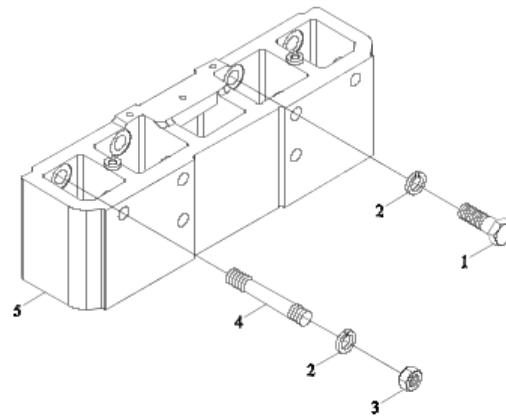
TS0631202000 BRACKET ASSEMBLY



## TS06312020000 BRACKET ASSEMBLY

No.	Part No.	Description	Version	QTY.	Remark
	TS06312020000	BRACKET ASSEMBLY		1	
1	TS06312020001	BRACKET		1	
2	TB604. 312-04	WASHER		8	
3	GBT5782-M16X80-10. 9-A3L	HEXAGON BOLT		6	
4	FT800. 31. 120	BRACKET CONNECTING SLEEVE		2	
5	GBT5782-M16X90-10. 9-A2L	HEXAGON BOLT		2	
6	GBT119. 1-12m6X24-A0P	COLUMN PIN		4	

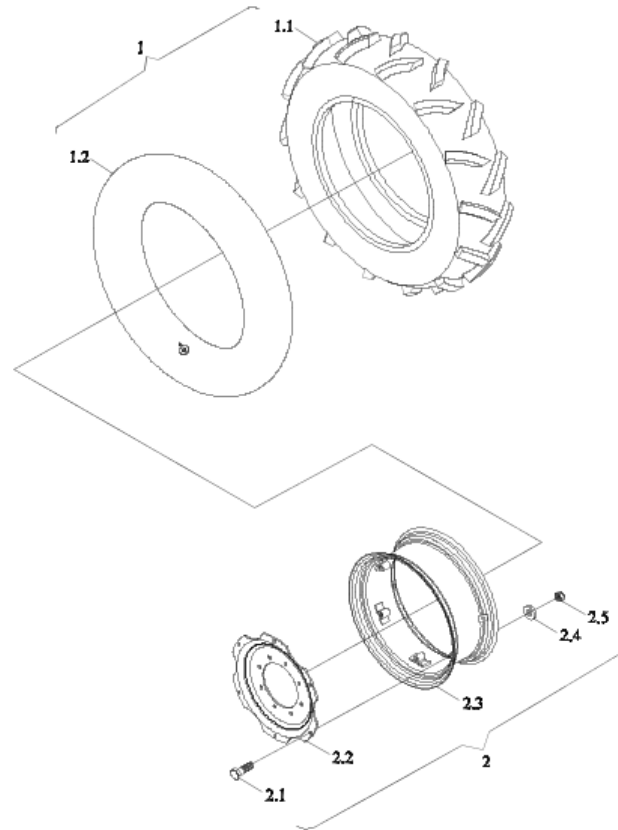
TS06313010000 BRACKET FRONT BODY ASSEMBLY



## TS06313010000 BRACKET FRONT BODY ASSEMBLY

No.	Part No.	Description	Version	QTY.	Remark
	TS06313010000	BRACKET FRONT BODY ASSEMBLY		1	
1	GBT5786-M18X1.5X55-8.8-A3L	HEXAGON BOLT		4	
2	GBT93-18	STANDARD SPRING WASHER		6	
3	GBT6170-M18-8-A2L	HEXAGON NUT, TYPE-1		2	
4	GBT899-AM18X1.5-M18X45-8.8-A3L	DOUBLE END STUDS		2	
5	TS06313010001	BRACKET FRONT BODY		1	

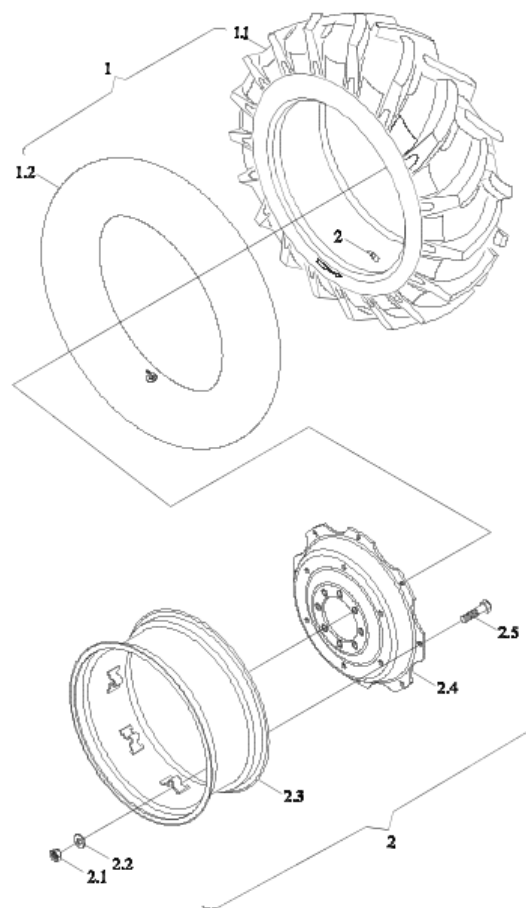
TC05320020000K FRONT DRIVING WHEEL ASSEMBLY



## TC05320020000K FRONT DRIVING WHEEL ASSEMBLY

No.	Part No.	Description	Version	QTY.	Remark
	TC05320020000K	FRONT DRIVING WHEEL ASSEMBLY		1	
1	TC05320020001K	TIRES ASSEMBLY		1	
1.1	TC05320020006K	OUTER TIRE 12. 4-24-10PR-R		1	
1.2	GBT2979-12. 4-24-R	DRIVING WHEEL INNER TUBE		1	
2	TC05320020002K	RIM SPOKE ASSEMBLY		1	

## TC05340020000K REAR DRIVING WHEEL ASSEMBLY

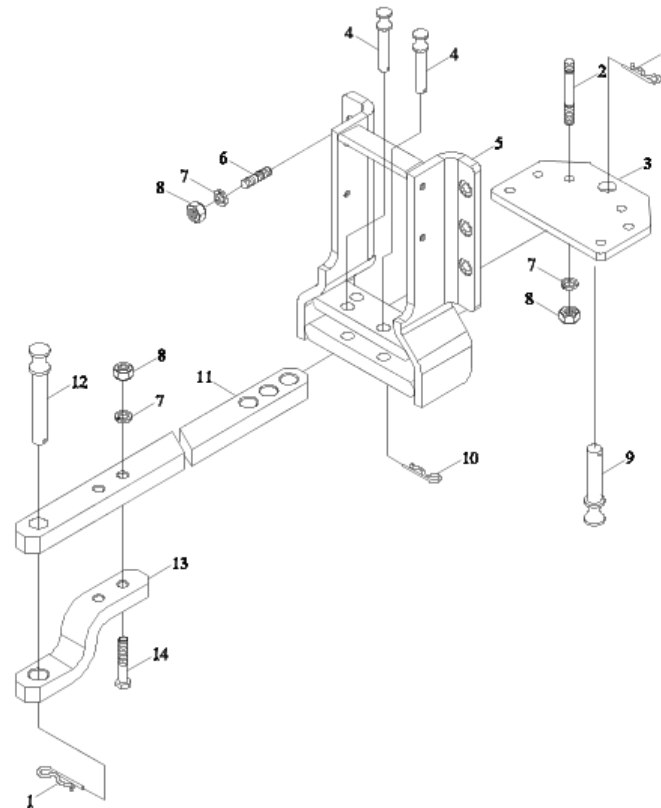




## TC05340020000K REAR DRIVING WHEEL ASSEMBLY

No.	Part No.	Description	Version	QTY.	Remark
	TC05340020000K	REAR DRIVING WHEEL ASSEMBLY		1	
1	TC05340020001K	TIRES ASSEMBLY		1	
1.1	TC05340020002K	OUTER TIRE 18. 4-30-10PR		1	
1.2	GBT2979-18. 4-30-R	DRIVING WHEEL INNER TUBE		1	
2	FT820. 34F. 011	RIM SPOKE ASSEMBLY		1	

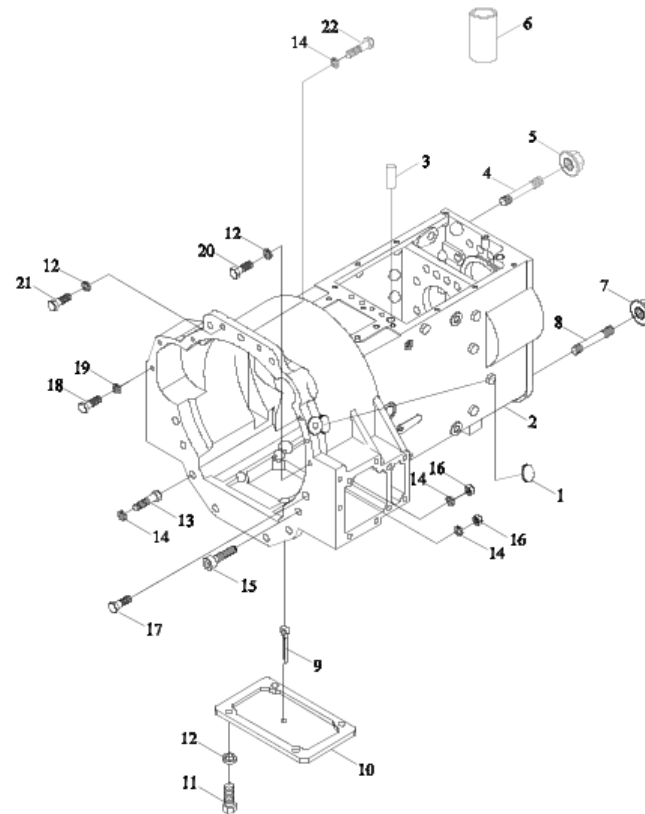
## FT800. 35A. 001 TRACTION DEVICE ASSEMBLY



## FT800. 35A. 001 TRACTION DEVICE ASSEMBLY

No.	Part No.	Description	Version	QTY.	Remark
	FT800. 35A. 001	TRACTION DEVICE ASSEMBLY		1	
1	FT800. 35. 112	SPRING LOCK PIN		2	
2	GBT899-GM16-M16X110-10.9-A3L	STUD		6	
3	FT800. 35. 012	LOWER PULL ROD BRACKET BOTTOM PLATE WELDMENT		1	
4	FT800. 35. 102	LIMITING PIN		2	
5	FT800. 35A. 010	TOWING BRACKET WELDMENT		1	
6	GBT899-GM16-M16X40-10.9-A3L	STUD		6	
7	GBT93-16-A0P	WASHER		14	
8	GBT6170-M16-8-A3L	NUT		14	
9	FT800. 35. 101	SWING PIN		1	
10	FT65. 35. 103	SPRING LOCK PIN		2	
11	FT800. 35A. 101	SWING ROD		1	
12	FT800. 35. 109	TRACTION PIN		1	
13	FT800. 35. 104	BENDING PLATE		1	
14	GBT5782-M16X90-8.8-A2L	BOLT		2	

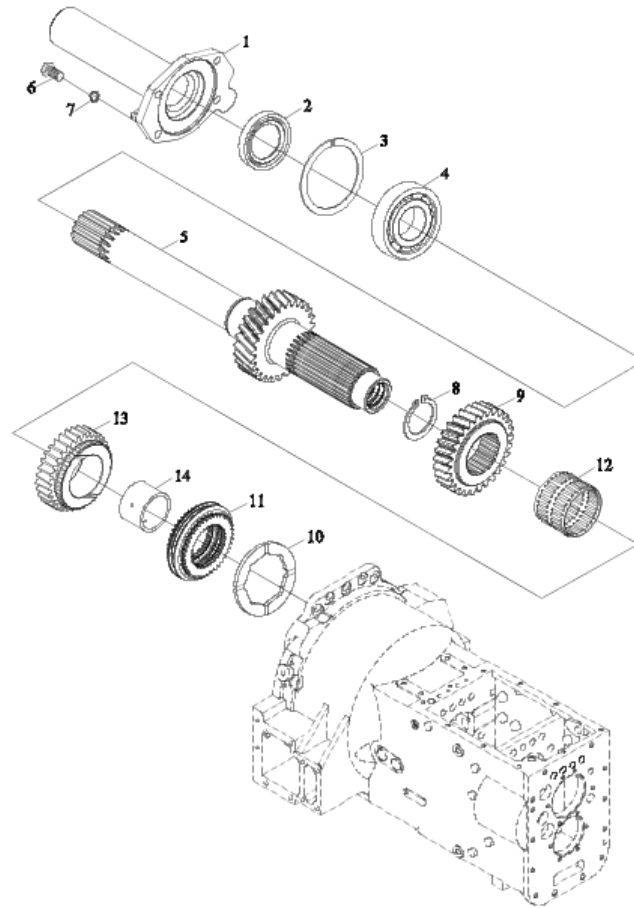
## TS0637101000 GEARBOX HOUSING ASSEMBLY



## TS06371010000 GEARBOX HOUSING ASSEMBLY

No.	Part No.	Description	Version	QTY.	Remark
	TS06371010000	GEARBOX HOUSING ASSEMBLY		1	
1	FT800. 37. 316	RUBBER PLUG		1	
2	TS06371010001	GEARBOX HOUSING		1	
3	GBT119. 1-16m6X28-A0P	COLUMN PIN		2	
4	GBT899-AM12-M12X1. 5X35-10. 9-A2 L	DOUBLE END STUDS		10	
5	SPL6177. 2-M12X1. 5-10-F3	HEXAGON FLANGE NUT		10	
6	FT800. 37. 198	RELEASE FORK SHAFT BUSH		4	
7	SPL6177. 2-M16X1. 5-10-F3	HEXAGON FLANGE NUT		2	
8	GBT899-AM16-M16X1. 5X40-10. 9-A3 L	DOUBLE END STUDS		2	
9	GBT91-5X25-A0P	SPLIT PIN		1	
10	FT800A. 37. 181	INSPECTION WINDOW COVER		1	
11	GBT5783-M12X30-8. 8-A3L	HEXAGON BOLT		4	
12	GBT93-12-A0P	STANDARD SPRING WASHER		11	
13	TD800A. 371C-02	BOLT		4	
14	GBT93-16-A0P	STANDARD SPRING WASHER		9	
15	GBT70. 1-M16X80-10. 9-A3L	INNER HEXAGON SCREW		2	
16	GBT6170-M16-10-A3L	HEXAGON NUT, TYPE-1		4	
17	GBT5782-M16X90-10. 9-A2L	HEXAGON BOLT		2	
18	GBT5783-M10X50-10. 9-A3L	HEXAGON BOLT		1	
19	GBT93-10-A0P	STANDARD SPRING WASHER		1	
20	GBT5783-M12X40-10. 9-A3L	HEXAGON BOLT		5	
21	GBT5782-M12X65-10. 9-A2L	HEXAGON BOLT		2	
22	GBT5783-M16X45-10. 9-A3L	HEXAGON BOLT		1	

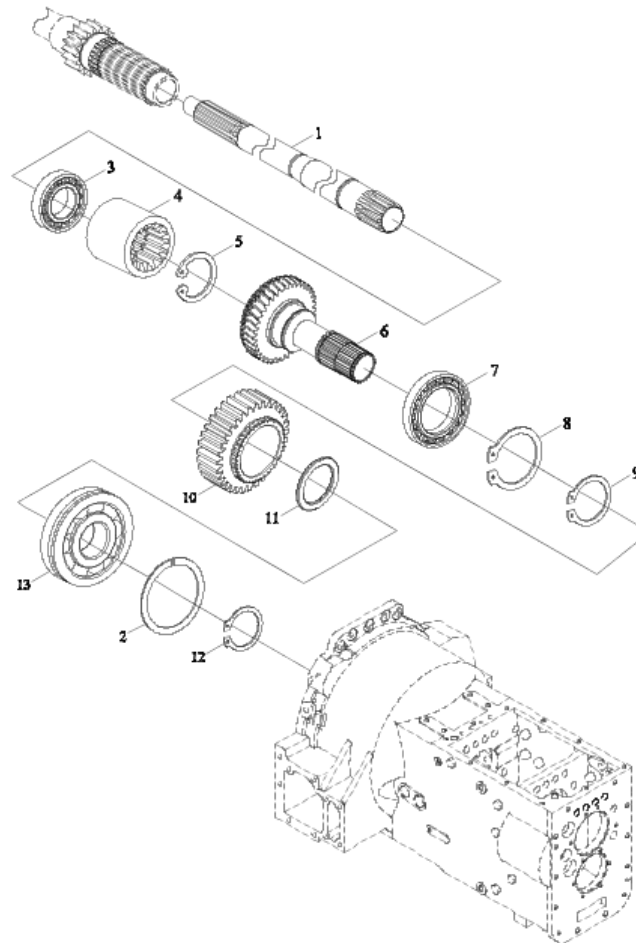
TD950. 372L MAIN/AUXILIARY GEARSHIFT ASSEMBLY-1



## TD950. 372L MAIN/AUXILIARY GEARSHIFT ASSEMBLY-1

No.	Part No.	Description	Version	QTY.	Remark
	TD950. 372L	MAIN/AUXILIARY GEARSHIFT ASSEMBLY		1	
1	FT800. 37C. 107	INPUT SHAFT BEARING SEAT		1	
2	GBT9877. 1-FB50X72X8F	OIL SEAL		1	
3	FT800. 37. 172	ADJUSTING WASHER		999	
4	GBT276-6310	BEARING		1	
5	TD950. 372L. 1	INPUT SHAFT ASSEMBLY		1	
6	GBT5783-M10X25-8. 8-A3L	HEXAGON BOLT		4	
7	GBT93-10-A0P	STANDARD SPRING WASHER		4	
8	GBT894. 1-55	CIRCLIP FOR SHAFT		1	
9	TD950. 372L-03	II DRIVING GEAR		1	
10	TD950. 372G-10	WASHER III		1	
11	TD950. 372L. 2	SYNCHRONIZER ASSEMBLY		1	
12	QLWZB120-K63X73X37ZW	ROLLER NEEDLE BEARING		1	
13	TD950. 372G-17	III DRIVING GEAR		1	
14	TD950. 372G-08	3 GEAR SLEEVE		1	

## TD950. 372L MAIN/AUXILIARY GEARSHIFT ASSEMBLY-2

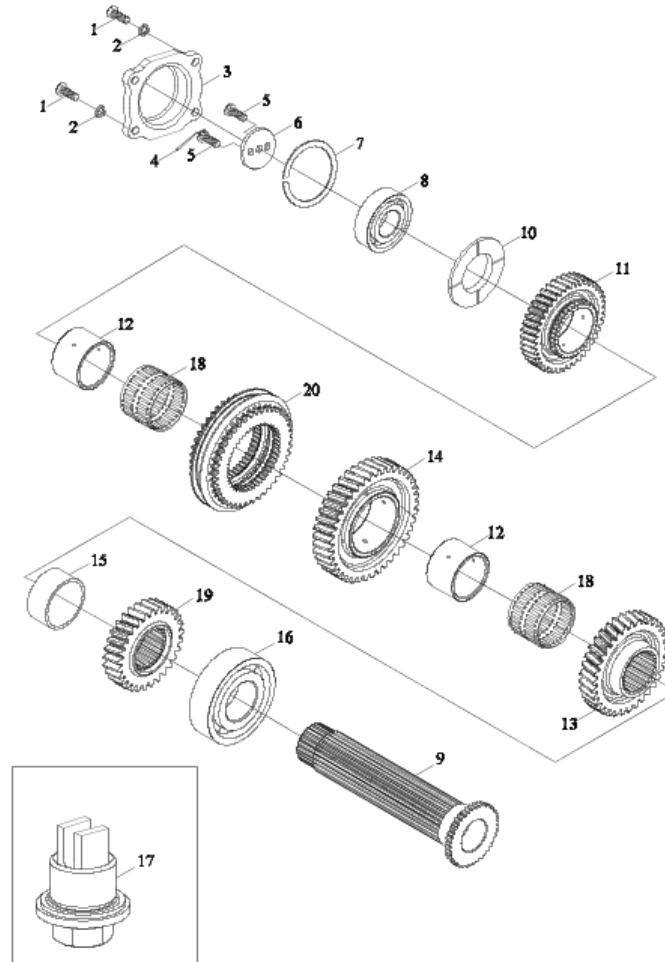




## TD950. 372L MAIN/AUXILIARY GEARSHIFT ASSEMBLY-2

No.	Part No.	Description	Version	QTY.	Remark
	TD950. 372L	MAIN/AUXILIARY GEARSHIFT ASSEMBLY		1	
1	FT800. 37C. 104	PTO FRONT SHAFT		1	
2	GBT305-110-116. 6	THRUST RING		1	
3	TD800A. 372F-15	BEARING 20209		1	
4	FT800. 37. 106	PTO SHAFT CONNECTING SLEEVE		1	
5	GBT893. 1-28	RETAINER RING		1	
6	TD950. 372G. 2	AUXILIARY GEARSHIFT DRIVING GEAR SHAFT		1	
7	TD800A. 372F-16	BEARING NUP1014		1	
8	GBT894. 1-70	RETAINER RING		1	
9	GBT894. 1-55	RETAINER RING		1	
10	TD950. 372G-20	DRIVING GEAR		1	
11	TD950. 372G-03	WASHER I		1	
12	GBT894. 1-50	RETAINER RING		1	
13	GBT276-6310N	BEARING		1	

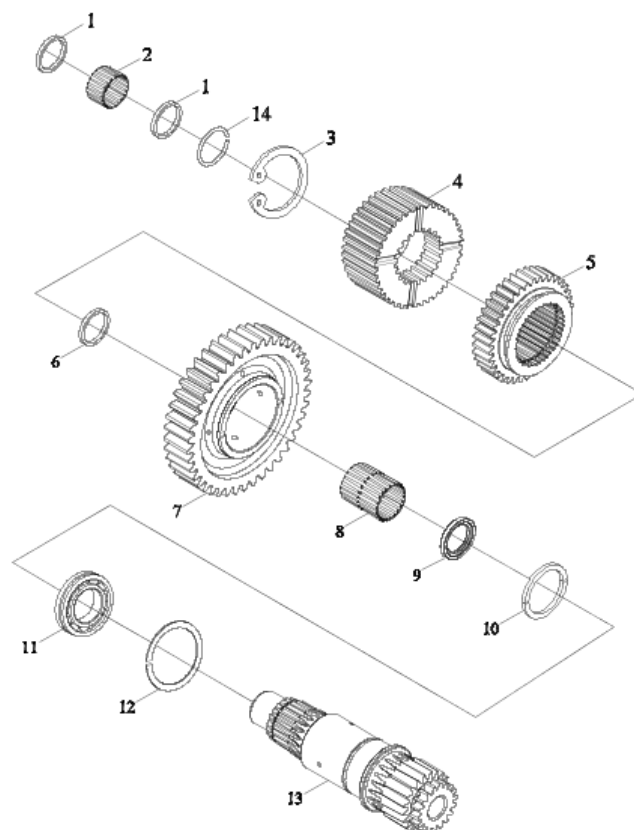
TD950. 372L MAIN/AUXILIARY GEARSHIFT ASSEMBLY-3



## TD950. 372L MAIN/AUXILIARY GEARSHIFT ASSEMBLY-3

No.	Part No.	Description	Version	QTY.	Remark
	TD950. 372L	MAIN/AUXILIARY GEARSHIFT ASSEMBLY		1	
1	GBT5783-M10X25-8. 8-A3L	HEXAGON BOLT		4	
2	GBT93-10-A0P	WASHER		4	
3	FT800. 37. 179	MIDDLE SHAFT END COVER		1	
4	FT800A. 37A. 244	ZINC-COATED STEEL WIRE		1	
5	TD800A. 372-01	SPECIAL BOLT M10X20		2	
6	FT800. 37. 187	RETAINER RING		1	
7	GBT305-90-96. 5	THRUST RING		1	
8	GBT276-6210N	BEARING		1	
9	TD800A. 372F-12a	MIDDLE SHAFT		1	
10	TD950. 372L-06	MIDDLE SHAFT THRUST RING		1	
11	TD950. 372L-01	I DRIVEN GEAR		1	
12	TG1204. 372-24	BUSH II		2	
13	TD950. 372L-04	III DRIVEN GEAR		1	
14	TD950. 372L-02	II DRIVEN GEAR		1	
15	TD950. 372G-09	SPACER BUSH		1	
16	GBT283-NUP211E	BEARING		1	
17	FT65. 38. 026	OIL PLUG ASSEMBLY		1	
18	QLWZB120-K63X73X42ZW	ROLLER NEEDLE BEARING		2	
19	TD950. 372L-05	IV DRIVEN GEAR		1	
20	TG1204. 372. 2	SYNCHRONIZER ASSEMBLY		1	

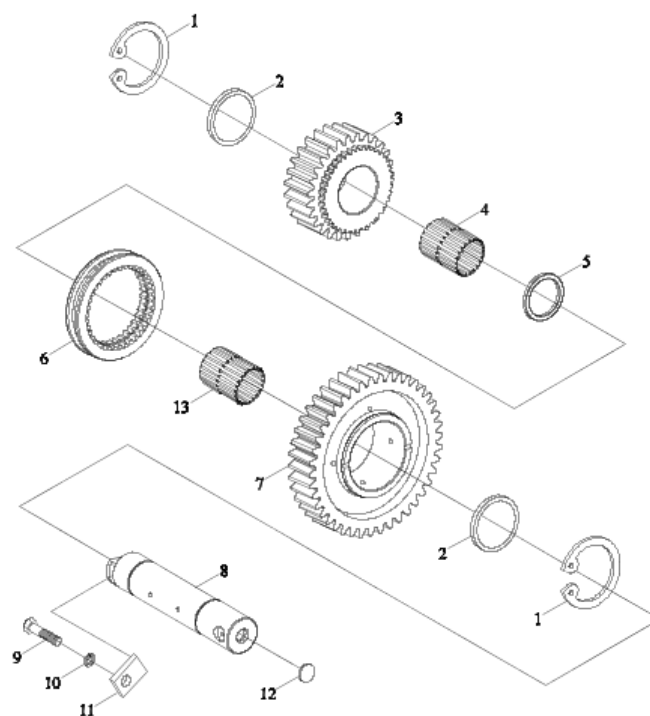
## TD950. 372L MAIN/AUXILIARY GEARSHIFT ASSEMBLY-4



## TD950. 372L MAIN/AUXILIARY GEARSHIFT ASSEMBLY-4

No.	Part No.	Description	Version	QTY.	Remark
	TD950. 372L	MAIN/AUXILIARY GEARSHIFT ASSEMBLY		1	
1	TD800A. 372G-02	GASKET		2	
2	TD800A. 372H. 1	NEEDLE		1	
3	GBT894. 1-42	RETAINER RING		1	
4	TD950. 372G-01	AUXILIARY GEARSHIFT DRIVEN GEAR SEAT		1	
5	TD950. 372G-22	REVERSE DRIVEN GEAR		1	
6	FT800. 37D. 240	SPACER BUSH		1	
7	TD950. 372G-21	GEAR		1	
8	QLWZB120-K55X65X43ZW	ROLLER NEEDLE BEARING		1	
9	TD800A. 372G-13	THRUST RETAINER RING		999	
9	TD800A. 372G-11	THRUST RETAINER RING		999	
9	TD800A. 372G-12	THRUST RETAINER RING		999	
9	TD800A. 372G-10	THRUST RETAINER RING		999	
9	TD800A. 372G-01	THRUST RETAINER RING		999	
10	FT800. 37D. 236	THRUST RING		1	
11	GBT276-6211N	BEARING		1	
12	GBT305-100-106. 5	THRUST RING		1	
13	TF1004. 372A-04a	OUTPUT SHAFT		1	
14	GBT895. 1-42	WIRE RETAINER RING FOR HOLE		1	

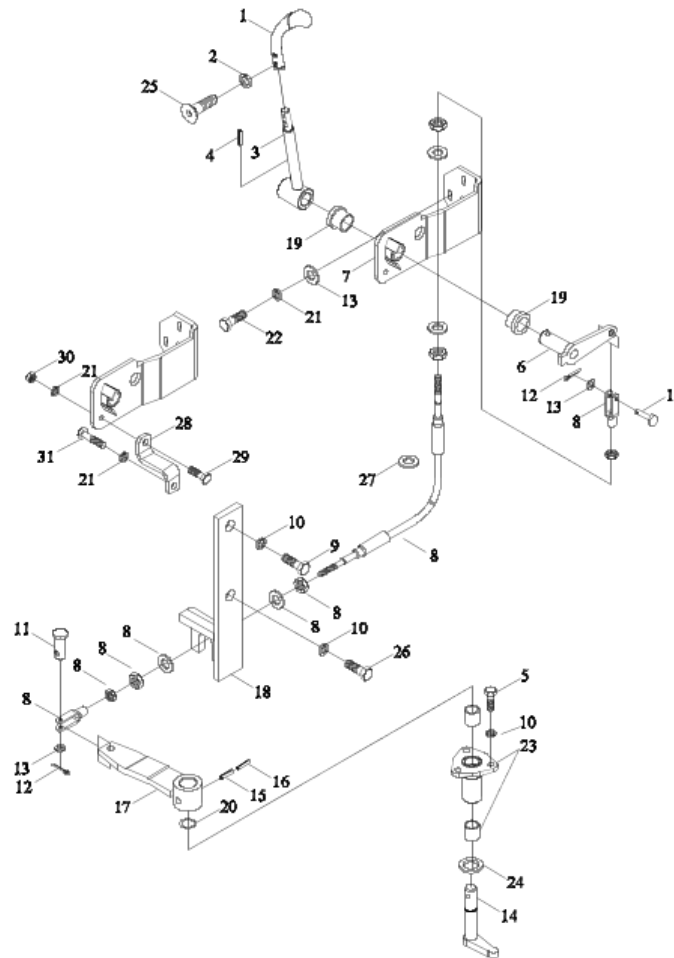
## TD950. 372L MAIN/AUXILIARY GEARSHIFT ASSEMBLY-5



## TD950. 372L MAIN/AUXILIARY GEARSHIFT ASSEMBLY-5

No.	Part No.	Description	Version	QTY.	Remark
	TD950. 372L	MAIN/AUXILIARY GEARSHIFT ASSEMBLY		1	
1	GBT894. 1-42	CIRCLIP FOR SHAFT		2	
2	FT800. 37D. 233	RETAINER RING		2	
3	TD950. 372G-23	IDLER 1		1	
4	QLWZB120-K35X45X43ZW	ROLLER NEEDLE BEARING		1	
5	TD950. 372G-11	NEEDLE SPACER BUSH		1	
6	TD800A. 372F-05	AUXILIARY LOW GEAR SHIFT COLLAR		1	
7	TD950. 372G-24	IDLER II		1	
8	TD950. 372G-12a	IDLER SHAFT		1	
9	GBT5783-M10X20-8. 8-A3L	BOLT		1	
10	GBT93-10-A0P	WASHER		1	
11	FT800. 37. 197	REVERSE SHAFT LOCK WASHER		1	
12	Q72214	PLUG PIECE		1	
13	TD950. 372G-30	ROLLER NEEDLE BEARING K35X45X35		1	

## TS06373040000 SIDE CONTROL ASSEMBLY-1





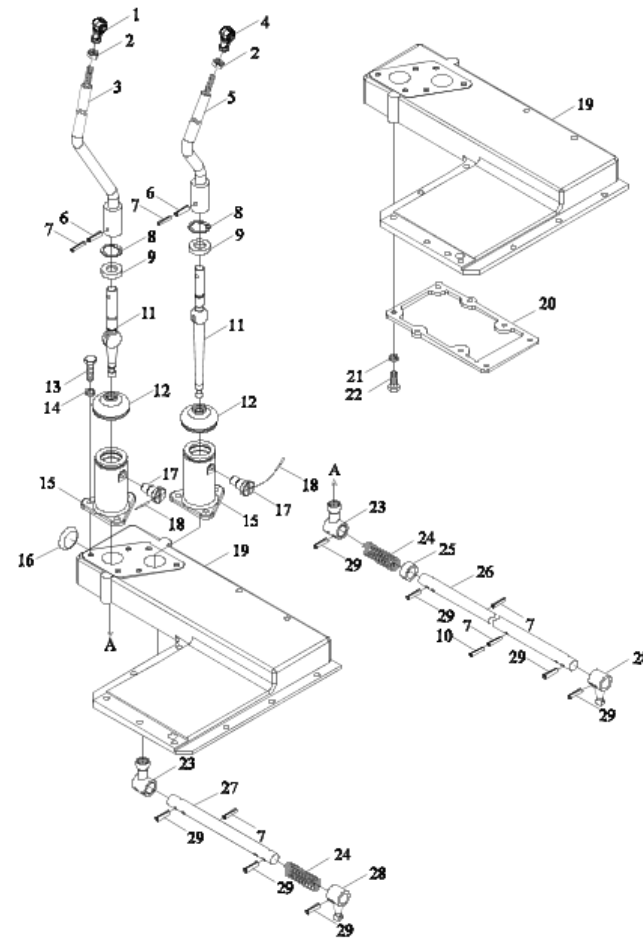
## TS06373040000 SIDE CONTROL ASSEMBLY-1

No.	Part No.	Description	Version	QTY.	Remark
	TS06373010004	CREEPER GEAR CONTROL MECHANISM ASSEMBLY		1	
	TS06373040000	SIDE CONTROL ASSEMBLY		1	
1	TS06373010010	HANDLE ASSEMBLY		1	
2	GBT93-6-A0P	STANDARD SPRING WASHER		2	
3	TS06373010011	CREEPER GEAR CONTROL LEVER WELDMENT		1	
4	GBT879. 3-8X35	ELASTIC CYLINDRICAL PIN		1	
5	GBT5786-M10X1X25-8. 8-A2L	HEXAGON BOLT		3	
6	TS06373010025	ROTARY SHAFT WELDMENT		1	
7	TS06373010007	BRACKET WELDMENT		1	
8	TS06373010017	SOFT SHAFT WELD		1	
9	GBT5782-M10X80-8. 8-A2L	HEXAGON BOLT		1	
10	GBT93-10-A0P	STANDARD SPRING WASHER		5	
11	TG1654. 373B. 1-01	PIN SHAFT		2	
12	GBT91-3. 2X20-A0P	SPLIT PIN		2	
13	GBT97. 1-8-A0P	FLAT WASHER		5	
14	TD950. 373E. 1. 2	ROTARY SHAFT WELDMENT		1	
15	GBT879. 1-8X35	SPRING COLUMN PIN		1	
16	GBT879. 1-5X35	SPRING COLUMN PIN		1	
17	TD950. 373E. 1. 4	ROCKER WELDMENT		1	
18	TD950. 373E. 1. 3	PULL WIRE BRACKET WELDMENT		1	
19	TD950. 373. 2-02	SLEEVE		2	
20	GBT3452. 1-17. 0X1. 80G	RUBBER O-SEAL RING		1	
21	GBT93-8-A0P	STANDARD SPRING WASHER		5	

## TS06373040000 SIDE CONTROL ASSEMBLY-1 (cont'd.)

No.	Part No.	Description	Version	QTY.	Remark
22	GBT5783-M8X30-8.8-A2L	HEXAGON BOLT		3	
23	TG1204.373.1.1.1	ROTARY SHAFT BRACKET ASSEMBLY		1	
24	GBT97.1-20-A0P	FLAT WASHER		2	
25	GBT70.1-M6X20-10.9-A3L	INNER HEXAGON SCREW		2	
26	GBT5782-M10X60-8.8-A2L	HEXAGON BOLT		1	
27	FT800A.48L.101	RUBBER RING-1		1	
28	TS06373010024	INSTALLATION BRACKET		1	
29	GBT5783-M8X25-8.8-A2L	HEXAGON BOLT		1	
30	GBT6170-M8-8-A2L	HEXAGON NUT, TYPE-1		1	
31	GBT5783-M8X16-8.8-A2L	HEXAGON BOLT		1	

TS06373040000 SIDE CONTROL ASSEMBLY-2



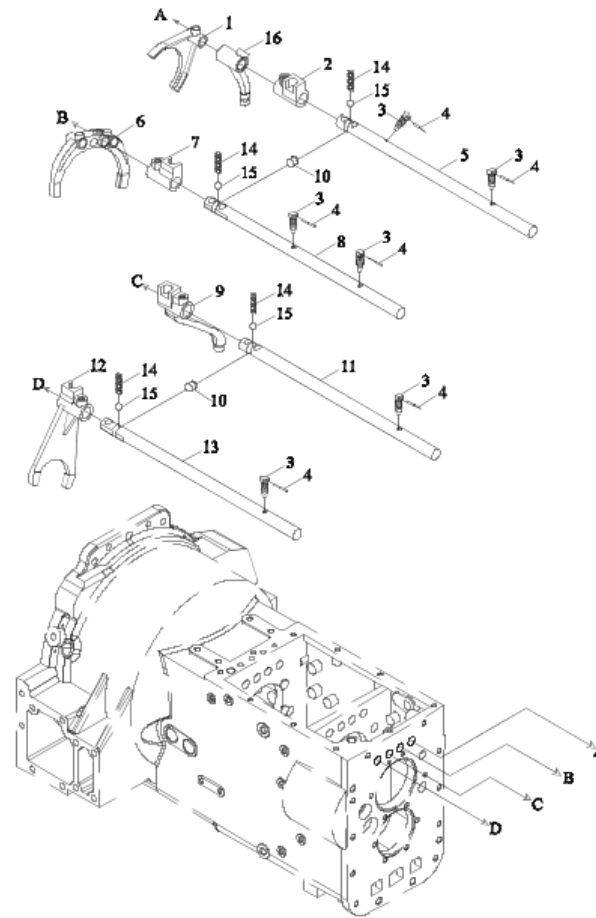
## TS06373040000 SIDE CONTROL ASSEMBLY-2

No.	Part No.	Description	Version	QTY.	Remark
	TS06373040000	SIDE CONTROL ASSEMBLY		1	
	TS06373010003	SIDE CONTROL MECHANISM ASSEMBLY		1	
1	TS06373010002	AUXILIARY GEARSHIFT CONTROL HANDLE		1	
2	GBT6170-M10-8-0	HEXAGON NUT, TYPE-1		2	
3	TD800A. 373B. 1. 3b	AUXILIARY GEARSHIFT CONTROL ROD WELDMENT		1	
4	TS06373010001	MAIN GEARSHIFT CONTROL HANDLE		1	
5	TD800A. 373B. 1. 2b	MAIN GEARSHIFT CONTROL ROD WELDMENT		1	
6	GBT879. 1-8X35	SPRING COLUMN PIN		2	
7	GBT879. 1-5X32	SPRING COLUMN PIN		13	
8	GBT893. 1-40	CIRCLIPS FOR HOLE		2	
9	FT800A. 37. 305	NYLON SEAT		2	
10	GBT879. 1-3X32	SPRING COLUMN PIN		3	
11	TD800A. 373B. 1-03a	LOWER CONTROL ROD		2	
12	FT800A. 37. 307	RUBBER SLEEVE		2	
13	GBT70. 1-M10X20-8. 8-A3L	INNER HEXAGON SCREW		6	
14	GBT93-10-A0P	STANDARD SPRING WASHER		6	
15	TD800A. 373B. 1-04	AUXILIARY GEARSHIFT LEVER SEAT		2	
16	Q72224	PLUG PIECE		2	
17	FT800A. 37. 326	GEARLEVER LOCATING PIN		4	
18	TF1004. 374-02	LOW CARBON STEEL WIRE		2	
19	FT800A. 37N. 308a	SIDE CONTROL COVER		1	
20	FT800A. 37. 309a	SIDE CONTROL LOWER COVER		1	
21	GBT93-8-A0P	STANDARD SPRING WASHER		8	

## TS06373040000 SIDE CONTROL ASSEMBLY-2 (cont'd.)

No.	Part No.	Description	Version	QTY.	Remark
22	GBT5783-M8X20-8.8-A2L	HEXAGON BOLT		8	
23	TD800A.373B.1-02c	GEARSHIFT LEVER CONTROL DIAL HEAD		2	
24	TF1254.373.1-02	RETURN SPRING		2	
25	FT800A.37.314	SPACER BUSH		1	
26	TD800A.373B.1-01b	AUXILIARY GEARSHIFT CONTROL TRANSMISSION ROD		1	
27	FT800A.37.312b	MAIN GEARSHIFT CONTROL TRANSFER ROD		1	
28	FT800A.37.315a	INNER CONTROL FORK HEAD		2	
29	GBT879.1-8X32	SPRING COLUMN PIN		8	

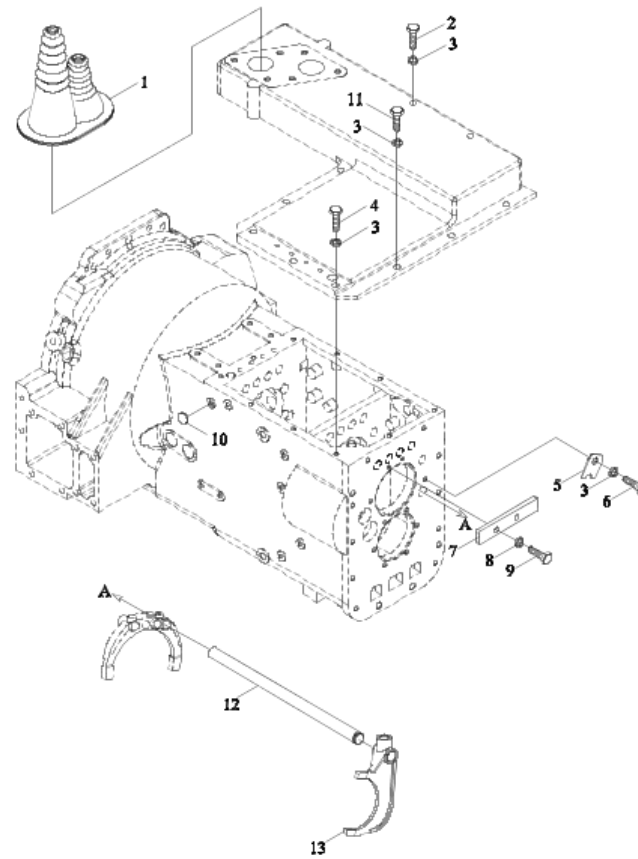
## TS06373040000 SIDE CONTROL ASSEMBLY-3



## TS06373040000 SIDE CONTROL ASSEMBLY-3

No.	Part No.	Description	Version	QTY.	Remark
	TS06373040000	SIDE CONTROL ASSEMBLY		1	
1	TD950. 373F-01	FORK, I - II		1	
2	TD800A. 373B-05	I-II GEAR FORK HEAD		1	
3	FT800. 37. 194	LOCKING SCREW		6	
4	FT800A. 37A. 244	ZINC-COATED STEEL WIRE I -1. 4		6	
5	TD950. 373F-02	I-II GEAR FORK SHAFT		1	
6	TD950. 373D-04	III-IV FORK		1	
7	TD800A. 373B-01	III-IV FORK HEAD		1	
8	TD950. 373F-03	III-IV FORK SHAFT		1	
9	TD800A. 373B-02	SHUTTLE SHIFT DIAL ROD		1	
10	FT800. 37. 177	MUTUAL PIN		2	
11	FT800A. 37. 320a	AUXILIARY GEARSHIFT FORK SHAFT		1	
12	TD950. 373D-05	REVERSE FORK		1	
13	TD950. 373D-07	REVERSE FORK SHAFT		1	
14	FT800. 37. 139	SPRING		4	
15	GBT308-10-G100-b	STEEL BALL		4	
16	FT800. 37. 154	I-II GEAR DIAL ROD		1	

TS06373040000 SIDE CONTROL ASSEMBLY-4

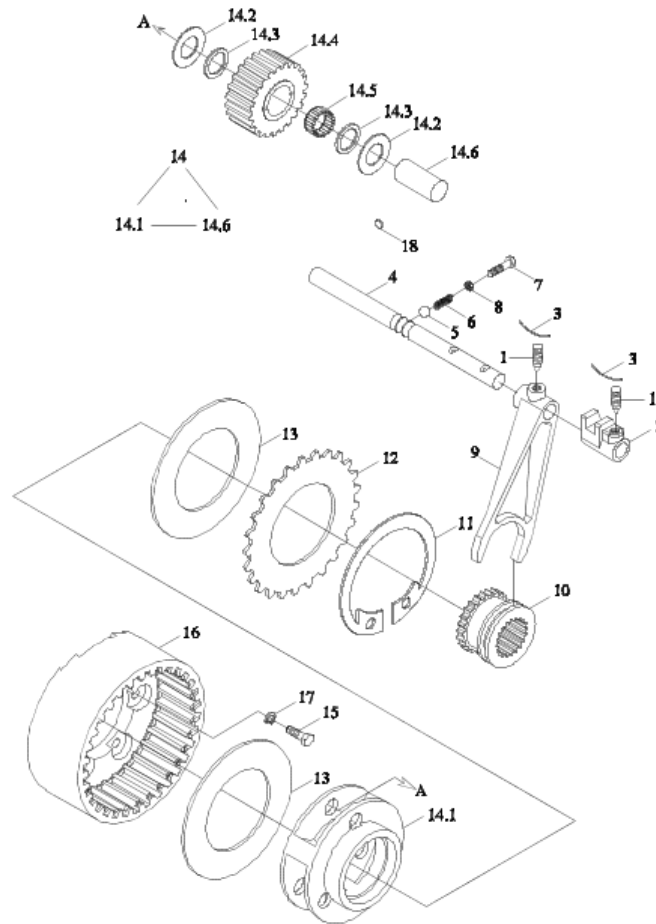




## TS06373040000 SIDE CONTROL ASSEMBLY-4

No.	Part No.	Description	Version	QTY.	Remark
	TS06373040000	SIDE CONTROL ASSEMBLY		1	
1	TF1004.452-11	SEAL SLEEVE		1	
2	TD800A.373-01	BOLT		2	
3	GBT93-10-A0P	STANDARD SPRING WASHER		11	
4	GBT5783-M10X30-8.8-A3L	HEXAGON BOLT		5	
5	TD1000.373B-03	LOCATING PLATE		1	
6	GBT5783-M10X20-8.8-A3L	HEXAGON BOLT		1	
7	FT800A.37.327	GEARSHIFT LIMITING PLATE		1	
8	GBT93-8-A0P	STANDARD SPRING WASHER		2	
9	GBT5783-M8X20-8.8-A2L	HEXAGON BOLT		2	
10	Q72214	PLUG PIECE		1	
11	GBT5783-M10X25-8.8-A3L	HEXAGON BOLT		3	
12	TD1000.373B-04	MIDDLE FORK SHAFT		1	
13	TF1004.373-02	AUXILIARY GEARSHIFT FORK		1	

TS06374010000 CREEPER GEAR MECHANISM ASSEMBLY



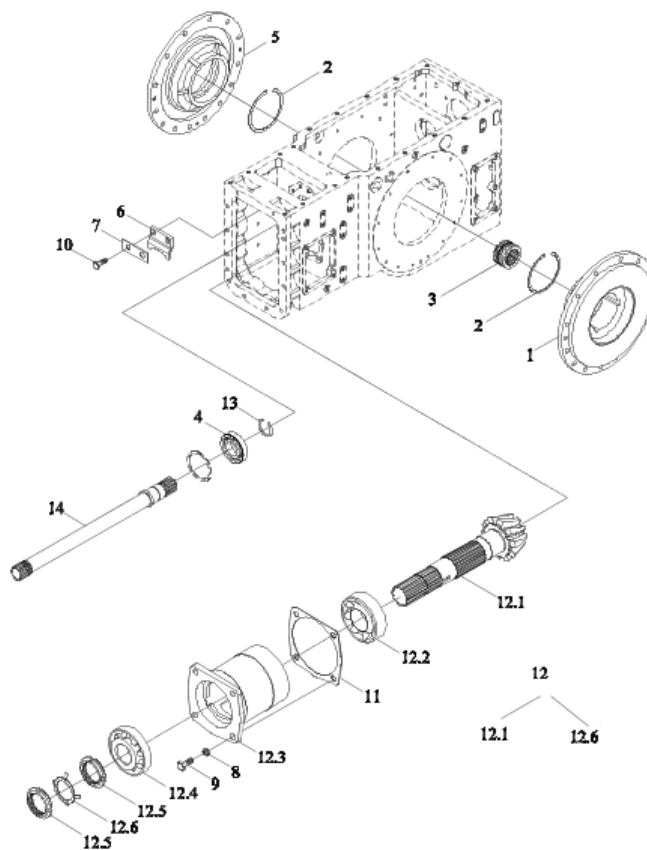
## TS06374010000 CREEPER GEAR MECHANISM ASSEMBLY

No.	Part No.	Description	Version	QTY.	Remark
	TS06374010000	CREEPER GEAR MECHANISM ASSEMBLY			
1	FT800. 37. 194	LOCKING SCREW			
2	TD800A. 374B-01	CREEPER GEAR FORK HEAD			
3	FT800A. 37A. 244	ZINC-COATED STEEL WIRE I -1. 4			
4	TS06374010001	CREEPER GEAR FORK SHAFT			
5	GBT308-10-G100-b	STEEL BALL			
6	FT800. 37. 139	SPRING			
7	GBT5783-M12X35-8. 8-A3L	HEXAGON BOLT			
8	GBT6172. 1-M12-04-A3L	HEXAGON THIN NUT			
9	FT800. 37A. 225	HIGH AND LOW GEAR FORK			
10	FT800. 37A. 218	CREEPER GEAR CONNECTING SLEEVE			
11	GBT893. 1-170	CIRCLIPS FOR HOLE			
12	FT800. 37D. 216	PLANET CARRIER MAT PLATE			
13	FT800. 37D. 230	WEARABLE WASHER			
14	FT800. 37D. 018	PLANET CARRIER ASSEMBLY			
14. 1	FT800. 37A. 024	PLANET CARRIER WELDMENT			
14. 2	FT800. 37A. 212	PLANET GEAR LINER			
14. 3	FT800. 37A. 214	NEEDLE SPACER RING			
14. 4	FT800. 37D. 211	PLANET GEAR			
14. 5	GBT309-4X25. 8-G2X-2X-4	NEEDLE			
14. 6	FT800. 37A. 213	PLANET GEAR SHAFT			
15	GBT5783-M10X25-10. 9-A3L	HEXAGON BOLT			
16	FT800. 37D. 210	INNER GEAR RING			

## TS06374010000 CREEPER GEAR MECHANISM ASSEMBLY (cont'd.)

No.	Part No.	Description	Version	QTY.	Remark
17	GBT93-10	STANDARD SPRING WASHER			
18	Q72220	PLUG PIECE			

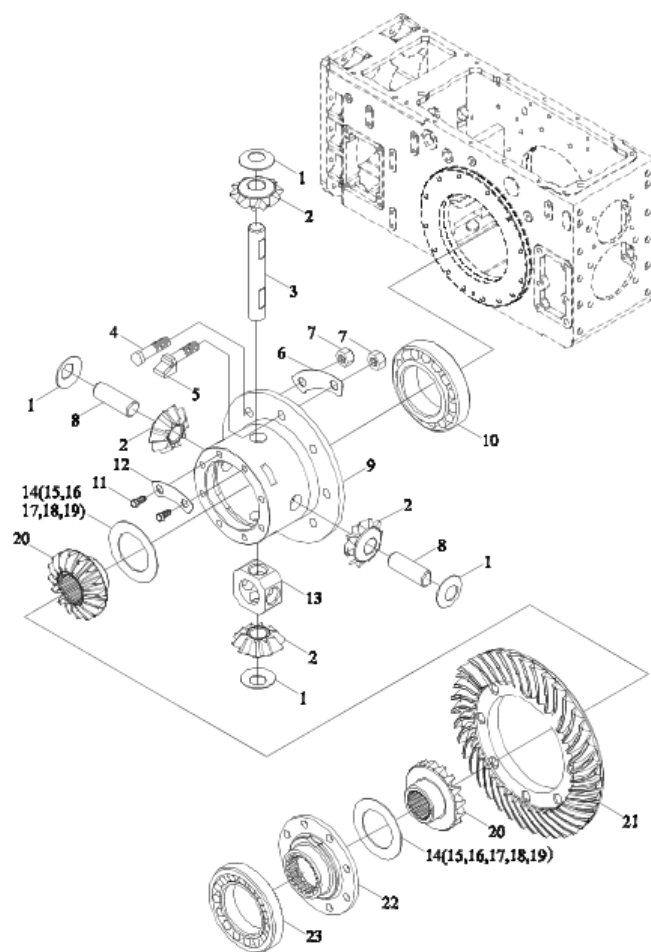
TC05382010000 REAR AXLE CENTRAL TRANSMISSION ASSEMBLY-1



## TC05382010000 REAR AXLE CENTRAL TRANSMISSION ASSEMBLY-1

No.	Part No.	Description	Version	QTY.	Remark
	TC05382010000	REAR AXLE CENTRAL TRANSMISSION ASSEMBLY		1	
1	FT800.38.108	LEFT BEARING SEAT		1	
2	FT800.38.221	ADJUSTING WASHER		1	
3	FT800.38.113	DIFFERENTIAL LOCK SHIFT COLLAR		1	
4	GBT276-6306	DEEP GROOVE BALL BEARING		1	
5	FT800.38.106	RIGHT BEARING SEAT		1	
6	FT800.38.123	PRESSURE PLATE		1	
7	FT800.38.124	LOCK WASHER		1	
8	GBT93-12-A0P	STANDARD SPRING WASHER		4	
9	GBT5783-M12X35-8.8-A3L	HEXAGON BOLT		4	
10	GBT5783-M10X25-8.8-A3L	HEXAGON BOLT		2	
11	FT800.38.208	ADJUSTING WASHER		1	
12	FT800.38.011	SMALL TAPER GEAR ASSEMBLY		1	
12.1	FT800.38.126	SMALL TAPER GEAR		1	
12.2	GBT297-32311	BEARING		1	
12.3	FT800.38.205	SMALL TAPER GEAR BEARING SEAT		1	
12.4	GBT297-30310	BEARING		1	
12.5	FT800.38.207	ROUND NUT		2	
12.6	GBT858-50	THRUST WASHER		1	
13	GBT895.2-30	STEEL WIRE CIRCLIP FOR SHAFT		1	
14	FT800.38.125	MIDDLE SHAFT OF PTO		1	

TC05382010000 REAR AXLE CENTRAL TRANSMISSION ASSEMBLY-2



## TC05382010000 REAR AXLE CENTRAL TRANSMISSION ASSEMBLY-2

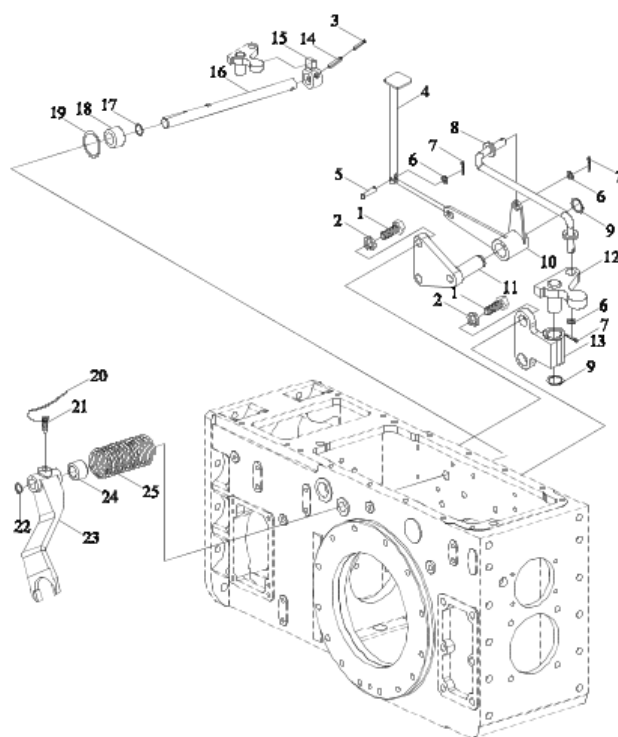
No.	Part No.	Description	Version	QTY.	Remark
	FT800. 38. 012	DIFFERENTIAL ASSEMBLY		1	
	TC05382010000	REAR AXLE CENTRAL TRANSMISSION ASSEMBLY		1	
1	FT800. 38. 216	PLANET GEAR WASHER		4	
2	FT800. 38. 217a	PLANET GEAR		4	
3	FT800. 38. 215	PLANET GEAR SHAFT		1	
4	FT800. 38. 211	LOCKING BOLT		4	
5	FT800. 38. 212	PLANET GEAR SHAFT THRUST SCREW		4	
6	FT800. 38. 213	LOCK WASHER		4	
7	GBT6171-M14X1. 5-8-A3L	HEXAGON NUT, TYPE-1		8	
8	FT800. 38. 131	SHORT PLANETARY GEAR SHAFT		2	
9	FT800. 38. 128	DIFFERENTIAL HOUSING		1	
10	GBT297-32216	TAPERED ROLLER BEARING		1	
11	GBT5783-M12X25-8. 8-A3L	HEXAGON BOLT		8	
12	FT800. 38. 218	LOCKING WASHER		4	
13	FT800. 38. 132	CENTRAL RING		1	
14	FT800. 38. 210	HALF SHAFT GEAR WASHER		1	
15	FT800. 38. 200	HALF SHAFT GEAR WASHER		1	
16	FT800. 38. 220	HALF SHAFT GEAR WASHER		1	
17	FT800. 38. 230	HALF SHAFT GEAR WASHER		1	
18	FT800. 38. 240	HALF SHAFT GEAR WASHER		1	
19	FT800. 38. 250	HALF SHAFT GEAR WASHER		1	
20	FT800. 38. 130a	HALF SHAFT GEAR		2	
21	FT800. 38. 129	BIG TAPER GEAR		1	



## TC05382010000 REAR AXLE CENTRAL TRANSMISSION ASSEMBLY-2 (cont'd.)

No.	Part No.	Description	Version	QTY.	Remark
22	FT800.38.133	DIFFERENTIAL COVER		1	
23	GBT297-30216	TAPERED ROLLER BEARING		1	

## TS0638301000 DIFFERENTIAL LOCK CONTROL MECHANISM ASSEMBLY



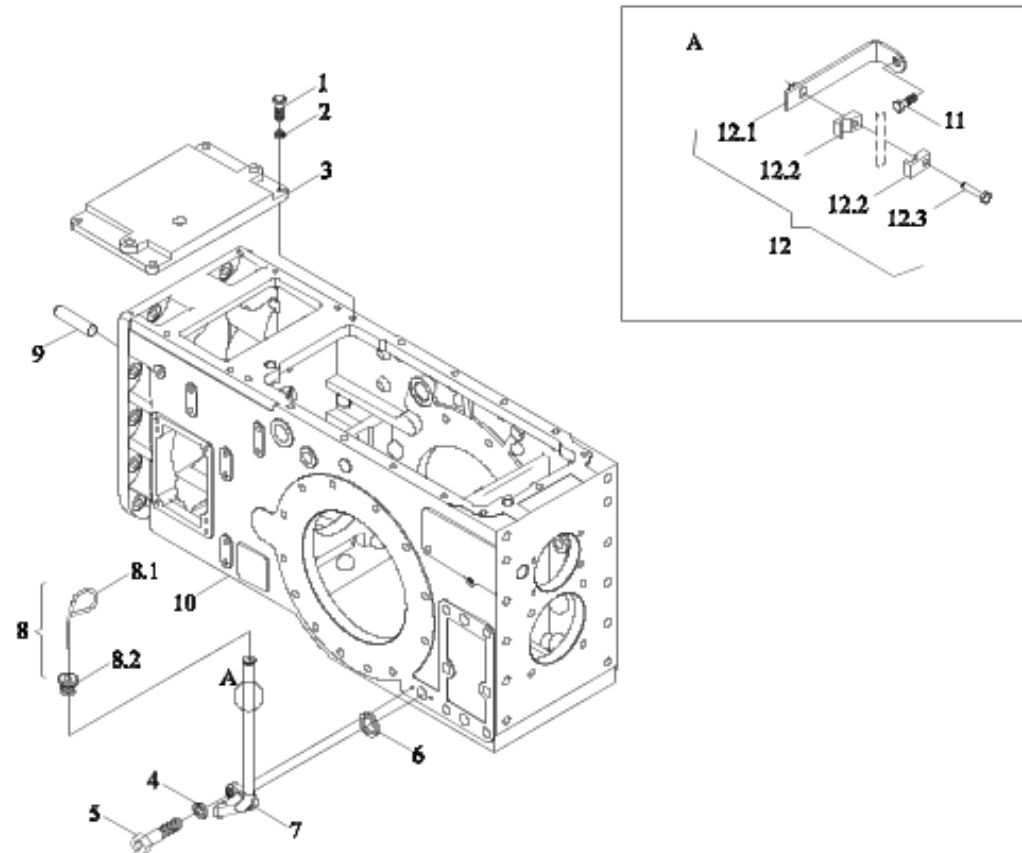
## TS06383010000 DIFFERENTIAL LOCK CONTROL MECHANISM ASSEMBLY

No.	Part No.	Description	Version	QTY.	Remark
	TS06383010000	DIFFERENTIAL LOCK CONTROL MECHANISM ASSEMBLY		1	
1	GBT5783-M10X25-8. 8-A3L	HEXAGON BOLT		4	
2	GBT93-10-A0P	STANDARD SPRING WASHER		4	
3	GBT879. 1-5X40	SPRING COLUMN PIN		1	
4	TS06383010001	PEDAL WELD		1	
5	GBT882-B8X24-A0P	PIN SHAFT		1	
6	GBT95-8-A0P	FLAT WASHER		3	
7	GBT91-3. 2X30-A0P	SPLIT PIN		3	
8	FT800A. 38. 258	PULL ROD		1	
9	GBT894. 1-20	CIRCLIP FOR SHAFT		2	
10	TS06383010004	ROCKER WELDMENT		1	
11	FT800A. 38. 252	ROTARY SHAFT		1	
12	FT800A. 38. 250	DIAL BLOCK		1	
13	FT800A. 38. 251	INSTALLATION SEAT		1	
14	GBT879. 1-8X40	SPRING COLUMN PIN		1	
15	FT800. 38. 109	DIAL BLOCK		1	
16	FT800. 38. 111	DIFFERENTIAL LOCK FORK SHAFT		1	
17	GBT3452. 1-20. 0X2. 65G	RUBBER O-SEAL RING		1	
18	FT800A. 38. 259	SLEEVE		1	
19	GBT3452. 1-30. 0X2. 65G	RUBBER O-SEAL RING		1	
20	TF1004. 374-02	LOW CARBON STEEL WIRE		1	
21	FT800. 37. 194	LOCKING SCREW		1	
22	Q72220	PLUG PIECE		1	

## TS0638301000 DIFFERENTIAL LOCK CONTROL MECHANISM ASSEMBLY (cont'd.)

No.	Part No.	Description	Version	QTY.	Remark
23	FT800.38.114	DIFFERENTIAL LOCK FORK		1	
24	FT800.38.206	SPACER BUSH		1	
25	FT800.38.112	DIFFERENTIAL LOCK SPRING		1	

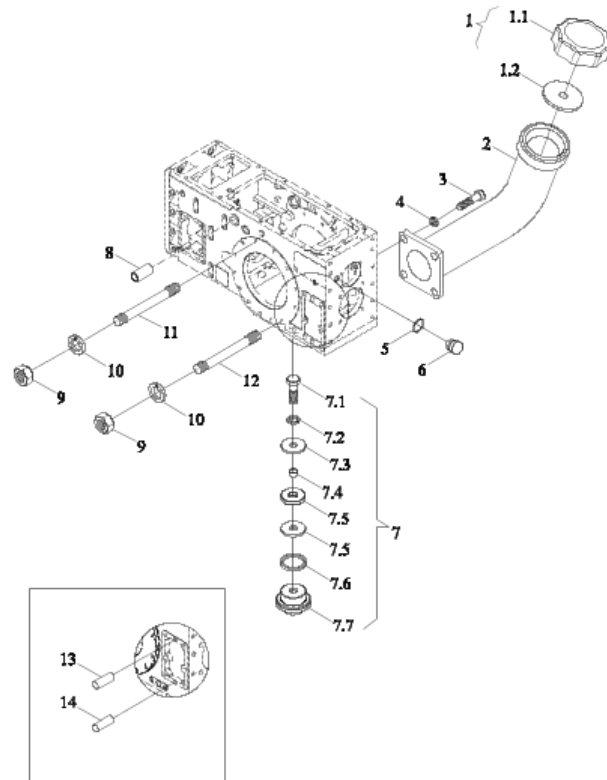
## TS06384040000 REAR AXLE HOUSING ASSEMBLY-1



## TS06384040000 REAR AXLE HOUSING ASSEMBLY-1

No.	Part No.	Description	Version	QTY.	Remark
	TS06384040000	REAR AXLE HOUSING ASSEMBLY		1	
1	GBT5783-M10X25-8.8-A3L	HEXAGON BOLT		8	
2	GBT93-10-A3L	STANDARD SPRING WASHER		8	
3	TS06384040001	REAR AXLE HOUSING COVER		1	
4	GBT93-8-A3L	STANDARD SPRING WASHER		3	
5	GBT70.1-M8X25-8.8-A2L	INNER HEXAGON SCREW		2	
6	GBT3452.1-15.0X2.65G	RUBBER O-SEAL RING		1	
7	FT800A.38.019a	OIL DIPSTICK PIPE WELDMENT		1	
8	FT800A.38.018	DIPSTICK ASSEMBLY		1	
8.1	FT800A.38.217	DIPSTICK		1	
8.2	FT800A.38.218	RUBBER SEAT		1	
9	GBT119.1-12m6X30-A3L	COLUMN PIN		2	
10	TC05384020001	REAR AXLE HOUSING		1	
11	GBT5783-M8X16-8.8-A2L	HEXAGON BOLT		1	
12	TC05384090008	SUPPORT BRACKET		1	
12.1	TC05384090009	BRACKET WELDMENT		1	
12.2	TG1204.402-01	SINGLE HOLE PIPE CLAMP		2	
12.3	GBT5783-M8X35-8.8-A2L	HEXAGON BOLT		1	

TS06384040000 REAR AXLE HOUSING ASSEMBLY-2



## TS06384040000 REAR AXLE HOUSING ASSEMBLY-2

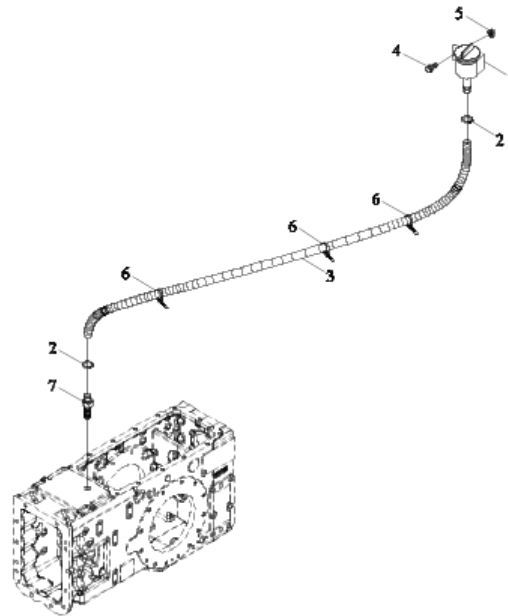
No.	Part No.	Description	Version	QTY.	Remark
	TS06384040000	REAR AXLE HOUSING ASSEMBLY		1	
1	FT800. 38. 017	REAR AXLE FILLING CAP COVER ASSEMBLY		1	
1.1	FT800. 38. 150	FILLING CAP COVER HOUSING		1	
1.2	FT800. 38. 148	RUBBER GASKET OF OIL FILLING CAP		1	
2	FT800. 38. 103a	REAR AXLE FILLING CAP PIPE		1	
3	GBT5783-M10X25-8. 8-A3L	HEXAGON BOLT		8	
4	GBT93-10-A3L	STANDARD SPRING WASHER		8	
5	GBT3452. 1-17. 0X2. 65G	RUBBER O-SEAL RING		1	
6	FT800. 38. 115	PLUG		1	
7	FT800. 38. 014	OIL DISCHARGING SCREW PLUG ASSEMBLY		1	
7.1	GBT5781-M10X25-4. 8-A3L	HEXAGON BOLT		1	
7.2	GBT93-10	STANDARD SPRING WASHER		1	
7.3	FT800. 38. 144	MAGNET PRESSURE WASHER		2	
7.4	FT800. 38. 145	SPACING MAGNETISM ALUMINUM SLEEVE		1	
7.5	FT800. 38. 143	MAGNET		1	
7.6	JBT982-36	COMBINED SEAL GASKET		1	
7.7	FT800. 38. 141	OIL DISCHARGING SCREW PLUG		1	
8	FT800. 38. 134	SLEEVE		1	
9	GBT6171-M14X1. 5-10-A3L	HEXAGON NUT, TYPE-1		28	
10	GBT93-14-A3L	STANDARD SPRING WASHER		28	
11	GBT899-AM14-M14X1. 5X200-10. 9-A 3L	DOUBLE END STUDS		2	
12	GBT899-AM14-M14X1. 5X190-10. 9-A 3L	DOUBLE END STUDS		26	



## TS06384040000 REAR AXLE HOUSING ASSEMBLY-2 (cont'd.)

No.	Part No.	Description	Version	QTY.	Remark
13	GBT119.1-20m6X55-A3L	COLUMN PIN		2	
14	GBT119.1-20m6X65-A3L	COLUMN PIN		2	

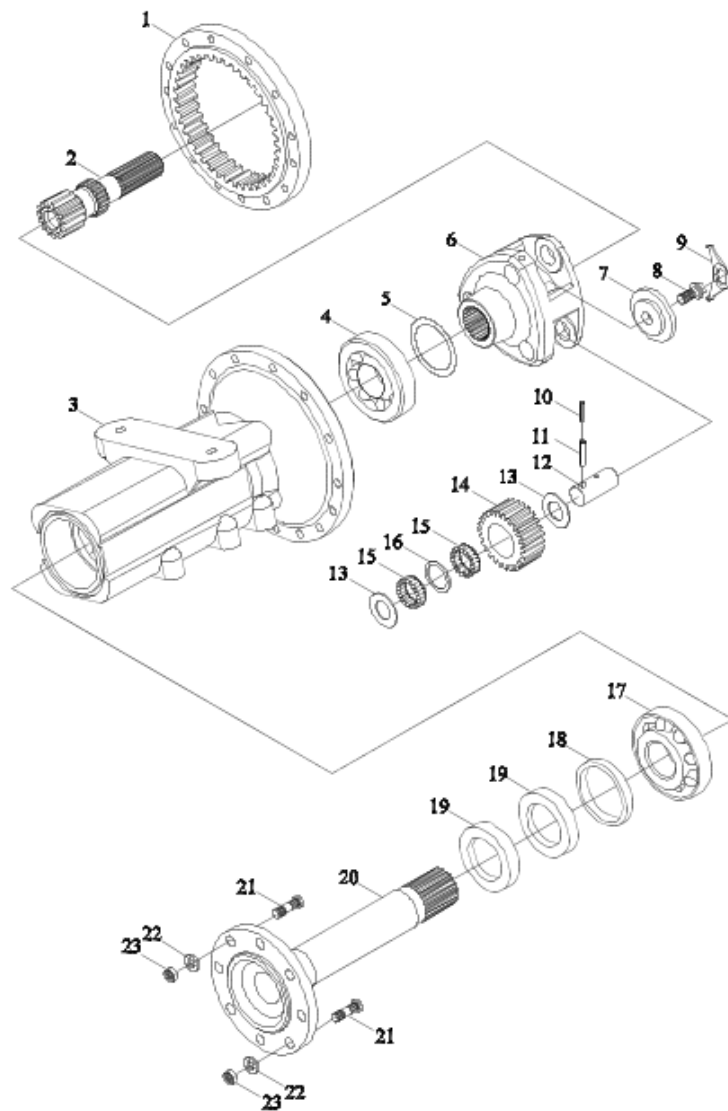
TC05385030000 BREATH ASSEMBLY



## TC05385030000 BREATH ASSEMBLY

No.	Part No.	Description	Version	QTY.	Remark
	TC05385030000	BREATH ASSEMBLY		1	
1	TS17385010002	BREATHER		1	
2	Q67516	A-TYPE WORM TRANSMISSION HOSE CLAMP		2	
3	TC05385010001	BREATH HOSE		1	
4	GBT5783-M8X20-8. 8-A2L	HEXAGON BOLT		1	
5	GBT6177. 1-M8-8-A2L	HEXAGON FLANGE NUT		1	
6	Q67405100	PLASTIC FASTENING STRIP		2	
7	TC03375010001	BREATH JOINT		1	

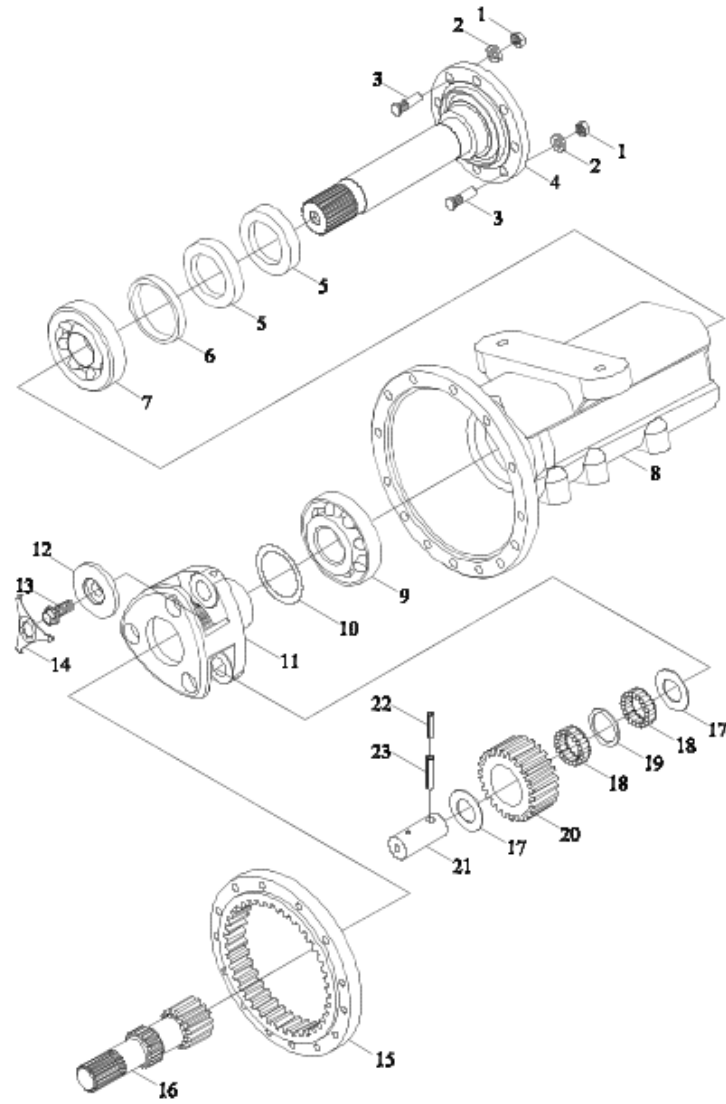
FT800. 39. 001 LEFT FINAL TRANSMISSION ASSEMBLY



## FT800. 39. 001 LEFT FINAL TRANSMISSION ASSEMBLY

No.	Part No.	Description	Version	QTY.	Remark
1	FT800. 39. 108	FINAL TRANSMISSION GEAR RING		1	
2	FT800. 39. 113	LEFT HALF SHAFT		1	
3	FT800. 39. 103a	HALF SHAFT HOUSING		1	
4	GBT297-30214	BEARING		1	
5	FT800. 39. 117a	ADJUSTING WASHER		999	
6	FT800. 39. 104	PLANET CARRIER		1	
7	FT800. 39. 106b	PLANET CARRIER PRESSURE PLATE		1	
8	FT800. 39. 105a	PLANET CARRIER FIXING BOLT		1	
9	FT800. 39. 112a	THRUST WASHER		1	
10	GBT879. 1-8X32	SPRING COLUMN PIN		3	
11	QLWZB140-12X32	PIN		3	
12	FT800. 39. 111	PLANET GEAR SHAFT		3	
13	FT800. 39. 110	PLANET GEAR ROLL NEEDLE OUTER SPACER RING		6	
14	FT800. 39. 107	PLANET GEAR		3	
15	FT800. 39. 118	NEEDLE		126	
16	FT800. 39. 109	NEEDLE INNER SPACER RING		3	
17	GBT297-30215	TAPERED ROLLER BEARING		1	
18	FT800. 39. 120	OIL SEAL SPACER RING		1	
19	GBT9877. 1-FB100X130X12D	OIL SEAL		2	
20	FT800. 39. 012	DRIVING SHAFT WELDMENT		1	
21	FT800. 39. 101c	DRIVING WHEEL FIXING BOLT		8	
22	FT800. 39. 130	WASHER		8	
23	GBT6176-M20X1. 5-LH-10-A3L	NUT		8	

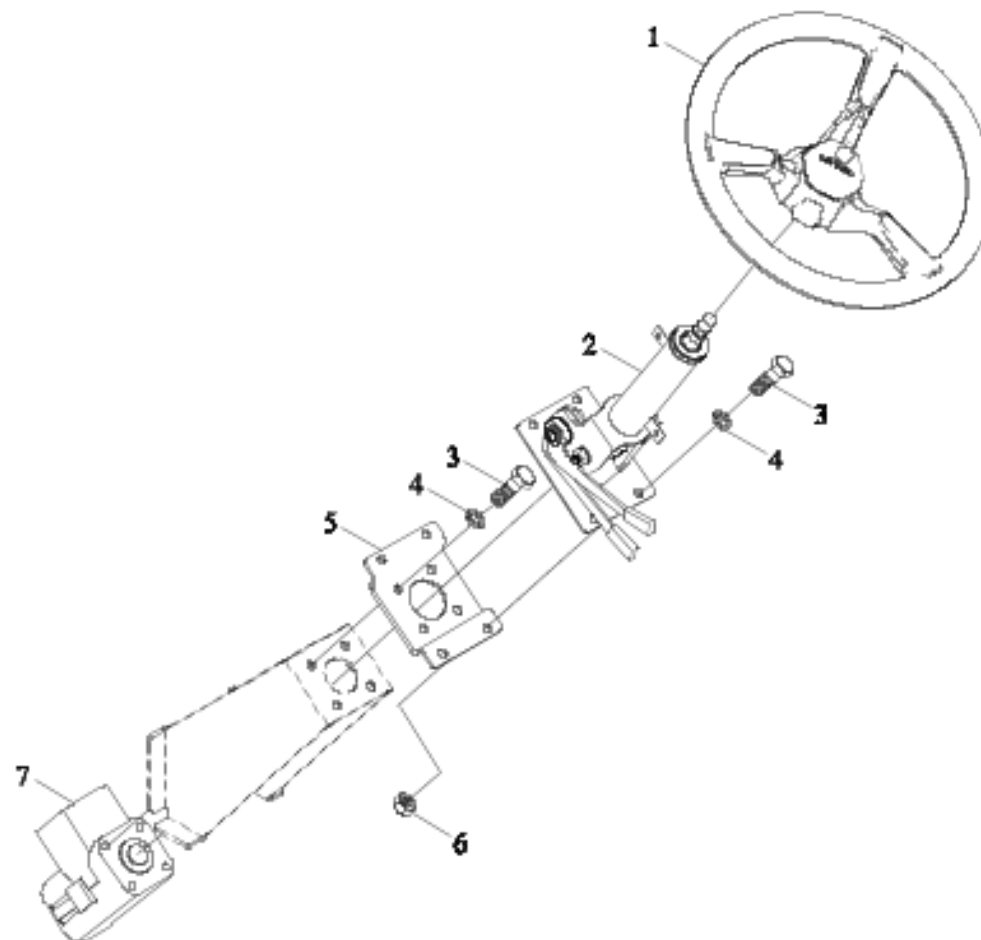
FT800. 39. 002 RIGHT FINAL TRANSMISSION ASSEMBLY



## FT800. 39. 002 RIGHT FINAL TRANSMISSION ASSEMBLY

No.	Part No.	Description	Version	QTY.	Remark
1	GBT6176-M20X1.5-10-A3L	NUT		8	
2	FT800. 39. 130	WASHER		8	
3	FT800. 39. 101d	DRIVING WHEEL FIXING BOLT		8	
4	FT800. 39. 012	DRIVING SHAFT WELDMENT		1	
5	GBT9877.1-FB100X130X12D	OIL SEAL		2	
6	FT800. 39. 120	OIL SEAL SPACER RING		1	
7	GBT297-30215	TAPERED ROLLER BEARING		1	
8	FT800. 39. 103a	HALF SHAFT HOUSING		1	
9	GBT297-30214	BEARING		1	
10	FT800. 39. 117a	ADJUSTING WASHER		999	
11	FT800. 39. 104	PLANET CARRIER		1	
12	FT800. 39. 106b	PLANET CARRIER PRESSURE PLATE		1	
13	FT800. 39. 105a	PLANET CARRIER FIXING BOLT		1	
14	FT800. 39. 112a	THRUST WASHER		1	
15	FT800. 39. 108	FINAL TRANSMISSION GEAR RING		1	
16	FT800. 39. 114	RIGHT HALF SHAFT		1	
17	FT800. 39. 110	PLANET GEAR ROLL NEEDLE OUTER SPACER RING		6	
18	FT800. 39. 118	NEEDLE		126	
19	FT800. 39. 109	NEEDLE INNER SPACER RING		3	
20	FT800. 39. 107	PLANET GEAR		3	
21	FT800. 39. 111	PLANET GEAR SHAFT		3	
22	GBT879.1-8X32	SPRING COLUMN PIN		3	
23	QLWZB140-12X32	PIN		3	

## TS06401010000 STEERING PLATE AND STEERING PIPE COLUMN ASSEMBLY

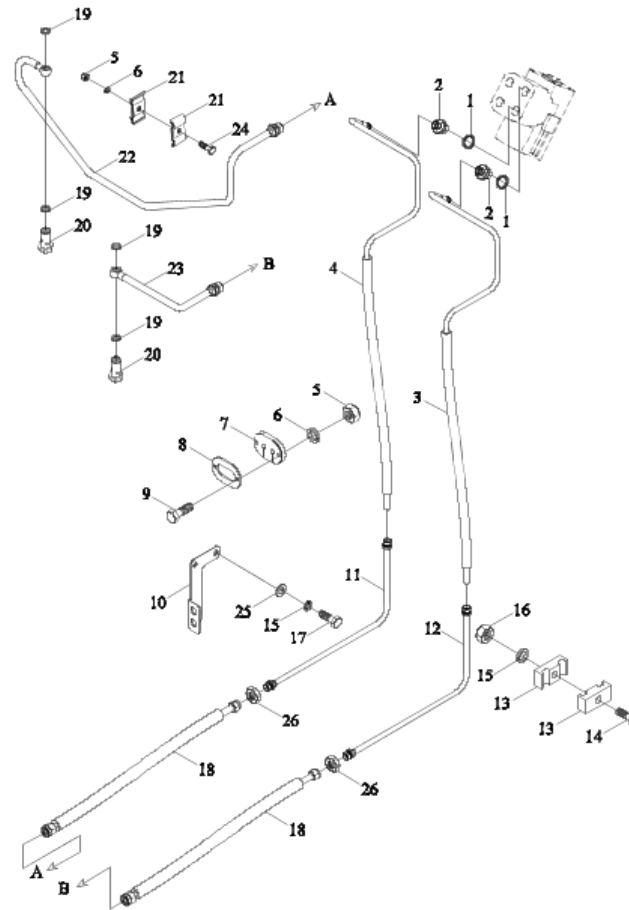




## TS06401010000 STEERING PLATE AND STEERING PIPE COLUMN ASSEMBLY

No.	Part No.	Description	Version	QTY.	Remark
	TS06401010000	STEERING PLATE AND STEERING PIPE COLUMN ASSEMBLY		1	
1	TS04401010001	STEERING WHEEL ASSEMBLY		1	
2	TS06401010002	STEERING PIPE COLUMN ASSEMBLY		1	
3	GBT5783-M10X25-8.8-A3L	HEXAGON BOLT		8	
4	GBT93-10-A0P	STANDARD SPRING WASHER		8	
5	TS06401010003	CONNECTING PLATE		1	
6	GBT6170-M10-8-A3L	HEXAGON NUT, TYPE-1		4	
7	FT804.40L.032	REDIRECTOR AND VALVE BLOCK ASSEMBLY		1	

TS06402040000 FULL HYDRAULIC STEERING PIPE ASSEMBLY-1



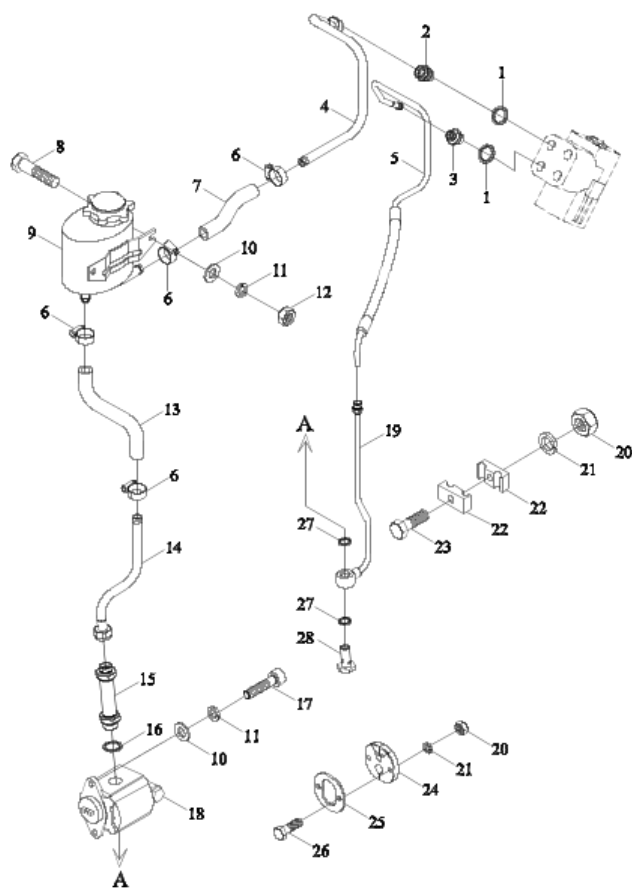
## TS06402040000 FULL HYDRAULIC STEERING PIPE ASSEMBLY-1

No.	Part No.	Description	Version	QTY.	Remark
	TS06402040000	FULLHYDRAULICSTEERINGPIPEASSEMBLY		1	
1	JBT982-20	COMBINED SEAL GASKET		4	
2	TD1100. 402G-01	JOINT		3	
3	TS06402010007	OIL OUTLET PIPE ASSEMBLY		1	
4	TS06402010006	OIL OUTLET PIPE ASSEMBLY-1		1	
5	GBT6170-M6-8-A2L	HEXAGON NUT, TYPE-1		6	
6	GBT93-6-A0P	STANDARD SPRING WASHER		6	
7	TD904. 402X-03	SHOCK ABSORBER		1	
8	TD904. 402X-01	CLAMPING PLATE		1	
9	GBT5783-M6X25-8. 8-A2L	HEXAGON BOLT		4	
10	TS06402050011	OIL PIPE BRACKET		1	
11	TS06402050003	LEFT OIL PIPE ASSEMBLY		1	
12	TS06402050001	RIGHT OIL PIPE ASSEMBLY		1	
13	FT354. 40C. 121	DOUBLE PIPE CLAMP		2	
14	GBT5783-M8X40-8. 8-A2L	HEXAGON BOLT		1	
15	GBT93-8-A0P	STANDARD SPRING WASHER		3	
16	GBT6170-M8-8-A2L	HEXAGON NUT, TYPE-1		1	
17	GBT5783-M8X20-8. 8-A2L	HEXAGON BOLT		2	
18	TS06402030003	OIL CYLINDER HOSE ASSEMBLY		2	
19	JBT982-14	COMBINED SEAL GASKET		4	
20	FT800. 40. 172	HOLLOW BOLT		2	
21	TS06402050015	OIL PIPE CLAMP AND RUBBER WASHER		2	
22	TS06402030001	OIL CYLINDER RIGHT PIPE		1	

## TS06402040000 FULL HYDRAULIC STEERING PIPE ASSEMBLY-1 (cont'd.)

No.	Part No.	Description	Version	QTY.	Remark
23	TD904. 402A. 9	OIL CYLINDER LEFT PIPE		1	
24	GBT5783-M6X20-8. 8-A2L	HEXAGON BOLT		1	
25	GBT97. 1-8-A0P	FLAT WASHER		2	
26	GBT3763-M16X1. 5	NUT		2	

TS06402040000 FULL HYDRAULIC STEERING PIPE ASSEMBLY-2



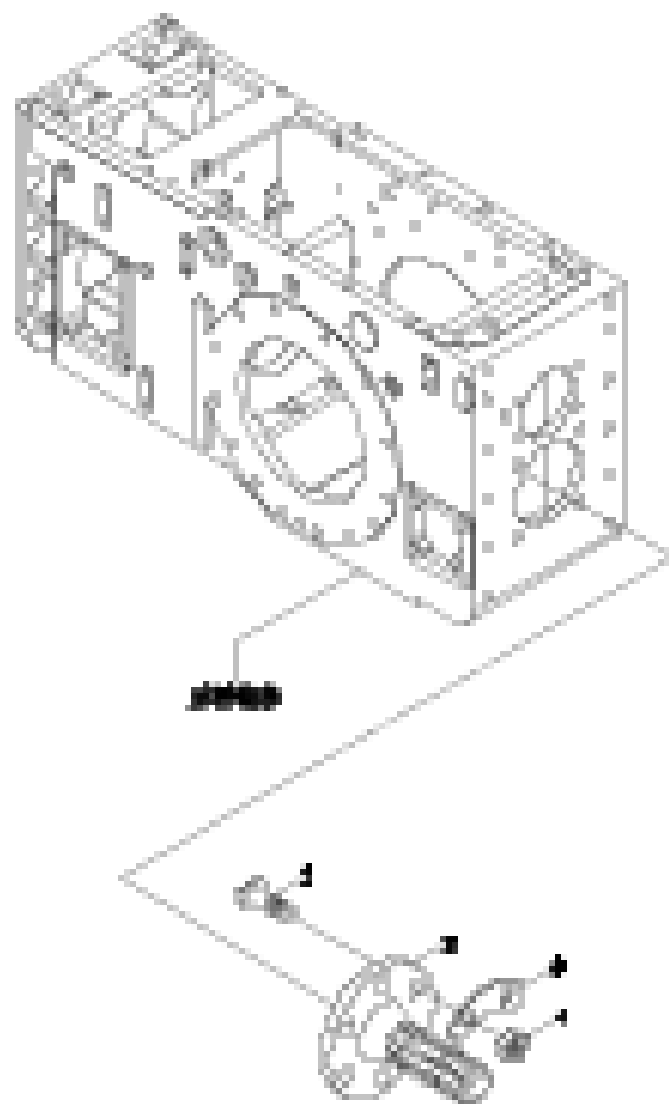
## TS06402040000 FULL HYDRAULIC STEERING PIPE ASSEMBLY-2

No.	Part No.	Description	Version	QTY.	Remark
	TS06402040000	FULLHYDRAULICSTEERINGPIPEASSEMBLY		1	
1	JBT982-20	COMBINED SEAL GASKET		4	
2	GBT3733-L16A	STRAIGHT THREAD JOINT		1	
3	TD1100.402G-01	JOINT		3	
4	TS06402010004	REDIRECTOR OIL RETURN PIPE ASSEMBLY		1	
5	TS06402010005	REDIRECTOR OIL INLET PIPE ASSEMBLY		1	
6	Q67632	B-TYPE WORM TRANSMISSION HOSE CLAMP		4	
7	TS06402010003	OIL RETURN HOSE		1	
8	GBT5781-M10X20-4.8-A3L	HEXAGON BOLT		2	
9	TD1100.402B.1	STEERING OIL TANK AND BREATH ASSEMBLY		1	
10	GBT97.1-10-A0P	FLAT WASHER		2	
11	GBT93-10-A0P	STANDARD SPRING WASHER		4	
12	GBT6170-M10-10-A3L	HEXAGON NUT, TYPE-1		2	
13	TS06402050014	OIL INLET HOSE		1	
14	TS06402050012	OIL PUMP INLET STEEL PIPE WELDMENT		1	
15	TD900.402A.6	CONNECTING OIL PIPE		1	
16	JBT982-27	COMBINED SEAL GASKET		1	
17	GBT70.1-M10X30-8.8-A3L	INNER HEXAGON SCREW		2	
18	FT800A.40A.028	STEERING PUMP ASSEMBLY		1	
19	TS06402020001	OIL PUMP STEEL PIPE ASSEMBLY		1	
20	GBT6170-M6-8-A2L	HEXAGON NUT, TYPE-1		6	
21	GBT93-6-A0P	STANDARD SPRING WASHER		6	
22	FT800.40L.108	SHORT OIL PIPE CLAMP		2	

## TS06402040000 FULL HYDRAULIC STEERING PIPE ASSEMBLY-2 (cont'd.)

No.	Part No.	Description	Version	QTY.	Remark
23	GBT5781-M6X25-4.8-A2L	HEXAGON BOLT		1	
24	TD904.402X-04	SHOCK ABSORBER 2		1	
25	TD904.402X-02	PLATE 2		1	
26	GBT5783-M6X25-8.8-A2L	HEXAGON BOLT		4	
27	JBT982-18	COMBINED SEAL GASKET		2	
28	FT700.40G.109	HOLLOW BOLT		1	

TD800. 411C PTO SHAFT ASSEMBLY

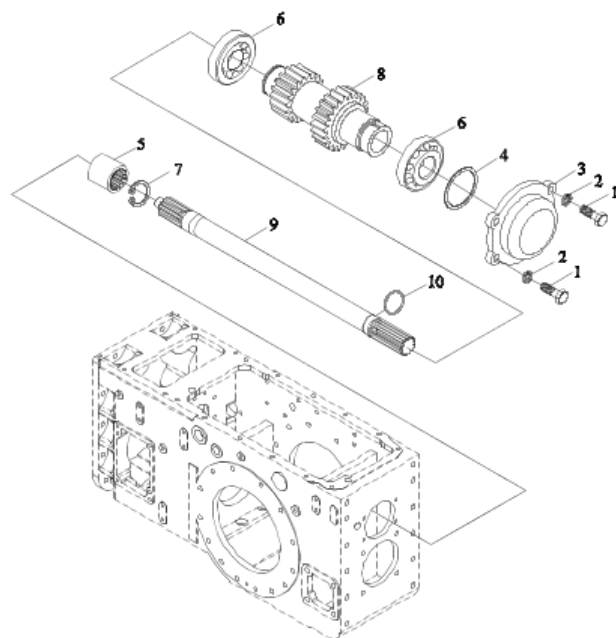




## TD800. 411C PTO SHAFT ASSEMBLY

No.	Part No.	Description	Version	QTY.	Remark
1	FT800A. 41. 143	PTO SHAFT CONNECTING BOLT		6	
2	FT800A. 41C. 107	TYPE-I35 PTO SHAFT		1	
3	FT800A. 41. 144	LOCK WASHER		3	
4	GBT6176-M14X1. 5-12-A3L	NUT		6	

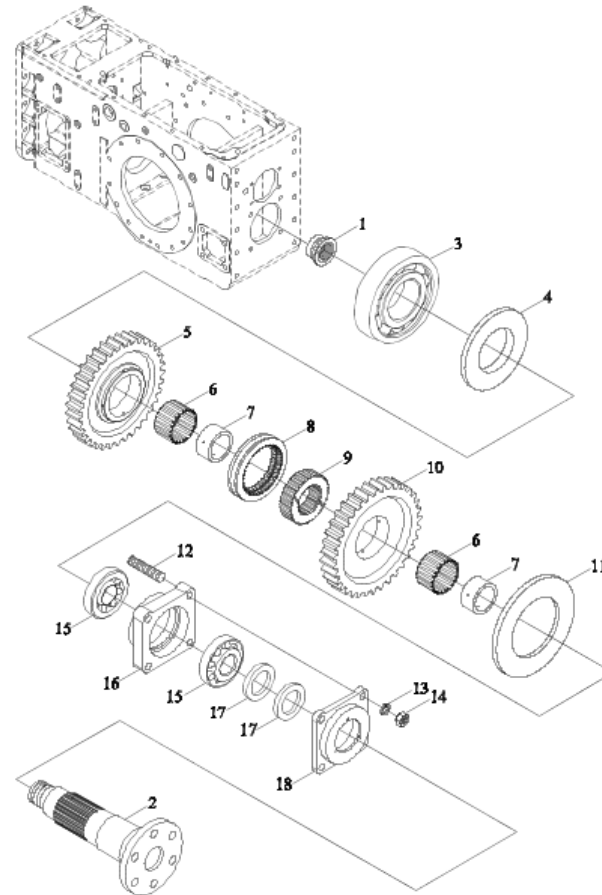
## TD800. 412R PTO GEAR ASSEMBLY-1



## TD800. 412R PTO GEAR ASSEMBLY-1

No.	Part No.	Description	Version	QTY.	Remark
	TD800. 412R	PTO GEAR ASSEMBLY		1	
1	GBT5783-M10X30-8. 8-A3L	HEXAGON BOLT		4	
2	GBT93-10-A0P	STANDARD SPRING WASHER		4	
3	FT800. 37. 106	PTO SHAFT CONNECTING SLEEVE		1	
4	TD800. 412P-05	CLEARANCE ADJUSTING WASHER		1	
4	TD800. 412P-06	CLEARANCE ADJUSTING WASHER		1	
4	TD800. 412P-04	CLEARANCE ADJUSTING WASHER		1	
4	TD800. 412P-03	CLEARANCE ADJUSTING WASHER		1	
5	TD800. 412P-01	PTO DUAL GEAR BEARING SEAT		1	
6	GBT297-30309	TAPERED ROLLER BEARING		2	
7	GBT893. 1-28	CIRCLIPS FOR HOLE		1	
8	TD800. 412R-01	PTO DUAL GEAR		1	
9	FT800. 41. 105	PTO TRANSMISSION SHAFT		1	
10	GBT895. 2-30	STEEL WIRE CIRCLIP FOR SHAFT		1	

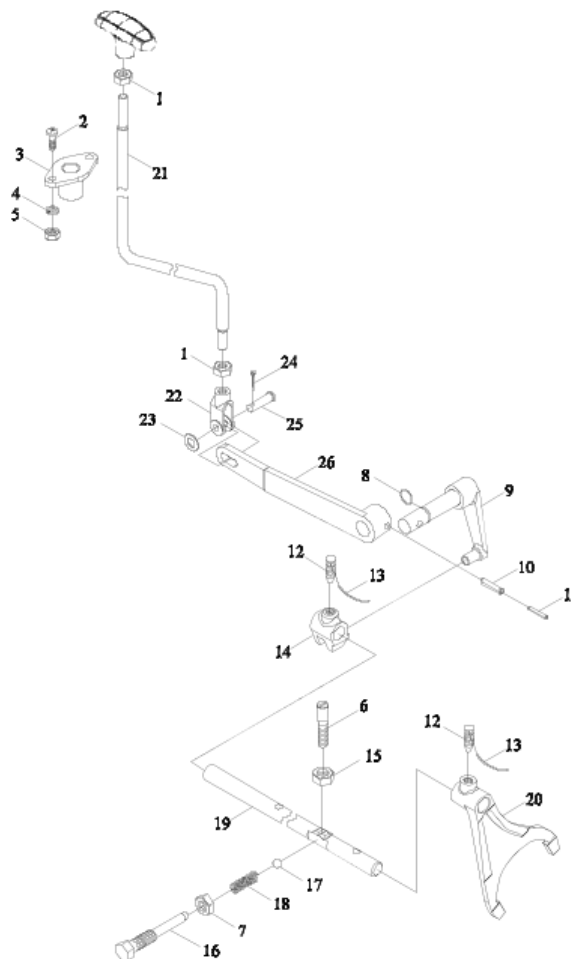
TD800. 412R PTO GEAR ASSEMBLY-2



## TD800. 412R PTO GEAR ASSEMBLY-2

No.	Part No.	Description	Version	QTY.	Remark
	TD800. 412R	PTO GEAR ASSEMBLY		1	
1	FT800A. 41. 139	PTO TRANSMISSION SHAFT LOCKNUT		1	
2	FT800A. 41. 108	PTO TRANSMISSION SHAFT		1	
3	GBT288-22210C	SELF-ALIGNING BALL BEARING		1	
4	FT800A. 41. 141	MIDDLE CIRCLIP OF PTO TRANSMISSION SHAFT		1	
5	TD800. 412M-02	PTO LOW GEAR DRIVEN GEAR		1	
6	QLWZB120-K68X78X34	ROLLER NEEDLE BEARING		2	
7	FT800A. 41. 113	PTO HIGH GEAR SLIDING SLEEVE		2	
8	FT800. 37. 118	III-IV SHIFT COLLAR		1	
9	FT800. 37. 119	III-IV ENGAGING GEAR SEAT		1	
10	TD800. 412K-02	PTO HIGH GEAR DRIVEN GEAR		1	
11	FT800A. 41. 142	REAR CIRCLIP OF PTO TRANSMISSION SHAFT		1	
12	GBT899-AM14-M14X1. 5X65-8. 8-A3L	DOUBLE END STUDS		4	
13	GBT93-14-A0P	STANDARD SPRING WASHER		4	
14	GBT6176-M14X1. 5-8-A3L	HEXAGON NUT, TYPE-2		4	
15	GBT297-30212	TAPERED ROLLER BEARING		2	
16	FT800A. 41. 124	REAR BEARING SEAT OF PTO TRANSMISSION SHAFT		1	
17	GBT9877. 1-FB70X90X10D	SEAL RING		2	
18	FT800A. 41. 125	REAR OIL SEAL SEAT OF PTO TRANSMISSION SHAFT		1	

TS06413010000 PTO CONTROL MECHANISM ASSEMBLY



## TS06413010000 PTO CONTROL MECHANISM ASSEMBLY

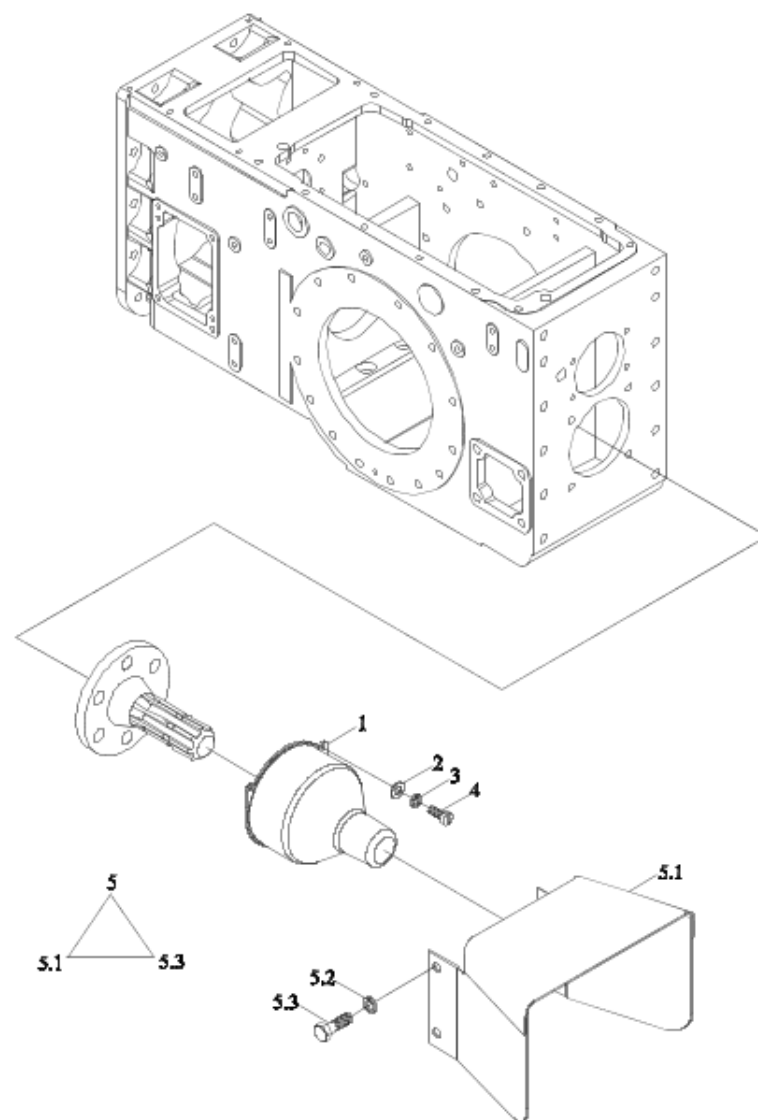
No.	Part No.	Description	Version	QTY.	Remark
	TS06413010000	PTO CONTROL MECHANISM ASSEMBLY		1	1
1	GBT6170-M10-8-A3L	HEXAGON NUT, TYPE-1		1	2
2	GBT818-M6X16-4.8-A2L	CROSS SCREW		1	2
3	FT800A.41.173	SEAL LINER SEAT		1	1
4	GBT93-6-AOP	STANDARD SPRING WASHER		1	2
5	GBT6170-M6-8-A2L	HEXAGON NUT, TYPE-1		1	2
6	TD800.413-01	LIMIT SCREW		1	1
7	GBT6172.1-M12-04-A3L	HEXAGON THIN NUT		1	1
8	GBT3452.1-17.0X1.80G	RUBBER O-SEAL RING		4	1
9	FT800.41.011	ROCKER ASSEMBLY		4	1
10	GBT879.1-8X35	SPRING COLUMN PIN		2	1
11	GBT879.1-5X35	SPRING COLUMN PIN		1	1
12	FT800.37.194	LOCKING SCREW		1	2
13	FT800A.41.241	ZINC-COATED STEEL WIRE I -1.4		1	2
14	FT800.41.240	FORK HEAD		1	1
15	GBT6172.1-M16-04-A3L	HEXAGON THIN NUT		1	1
16	GBT71-M12X35-14H-A3L	SCREW		1	1
17	GBT308-10-G100-b	STEEL BALL		2	1
18	FT800.37.139	SPRING		1	1
19	FT800.41.106a	FOPK SHAFT		1	1
20	FT800A.41.114	PTO HIGH AND LOW GEAR FORK		1	1
21	FT800A.41.147	PTO CONTROL ROD		1	1
22	FT804.42.150	PULL ROD FRONT FORK		1	1

## TS06413010000 PTO CONTROL MECHANISM ASSEMBLY (cont'd.)

No.	Part No.	Description	Version	QTY.	Remark
23	GBT97. 1-8-A0P	FLAT WASHER		4	1
24	GBT91-3. 2X30-A0P	SPLIT PIN		4	1
25	GBT882-B8X26	PIN SHAFT		1	1
26	FT800A. 41. 146	PTO ROCKER		4	1



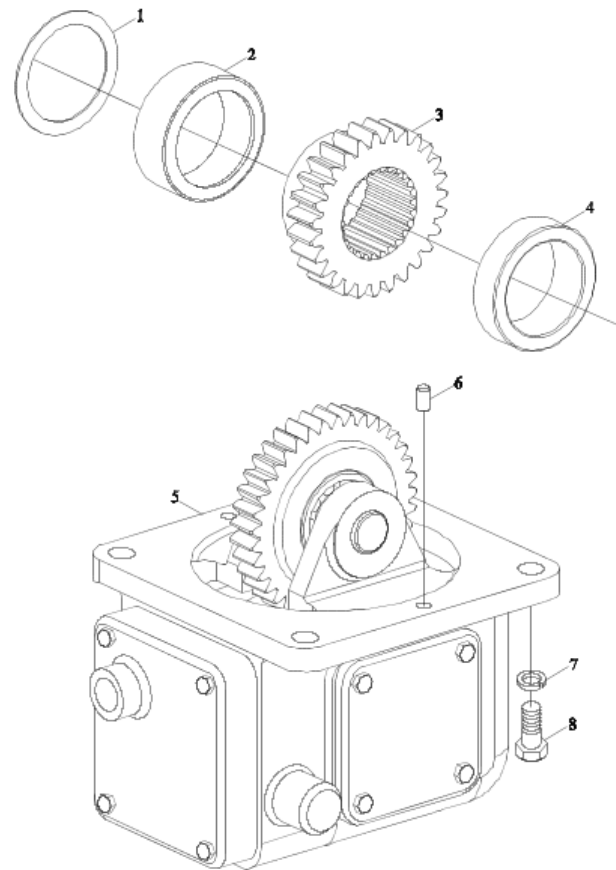
## TD800. 414A PTO BONNET ASSEMBLY



## TD800. 414A PTO BONNET ASSEMBLY

No.	Part No.	Description	Version	QTY.	Remark
1	TD800. 411A-02	PTO SHAFT HOOD SHIELD		1	
2	GBT97. 1-5-A0P	FLAT WASHER		2	
3	GBT93-5-A0P	WASHER		2	
4	GBT65-M5X12-4. 8-A2L	SLOTTED COLUMN HEAD SCREW		2	
5	FT800A. 41. 014	PTO BONNET ASSEMBLY		1	
5.1	FT800A. 41. 015	PTO BONNET WELDMENT		1	
5.2	GBT93-12-A3L	WASHER		4	
5.3	GBT5783-M12X20-8. 8-A3L	HEXAGON BOLT		4	

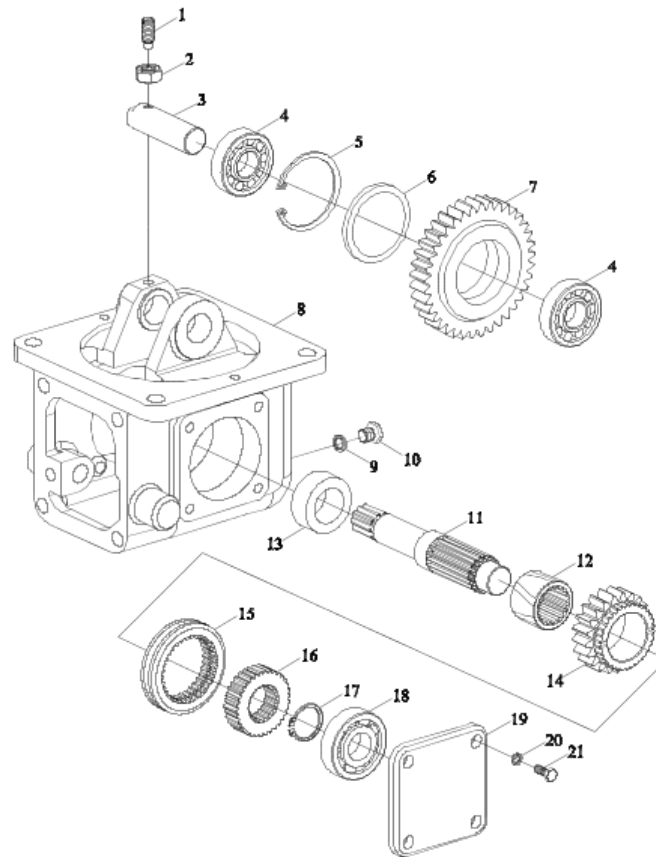
## TD904. 421A TRANSFER CASE ASSEMBLY-1



## TD904. 421A TRANSFER CASE ASSEMBLY-1

No.	Part No.	Description	Version	QTY.	Remark
	TD904. 421A	TRANSFER CASE ASSEMBLY		1	
1	FT804. 42. 109	ADJUSTING WASHER		999	
2	FT804. 42. 101	SPACER BUSH		1	
3	FT804. 42B. 102a	TRANSFER CASE DRIVING GEAR		1	
4	FT804. 42. 111	SPACER BUSH		1	
5	TD904. 421A. 1	TRANSFER CASE HOUSING ASSEMBLY		1	
6	GBT119. 1-8h8X16-A0P	PIN		2	
7	GBT93-14-A0P	WASHER		4	
8	GBT5783-M14X35-8. 8-A3L	BOLT		4	

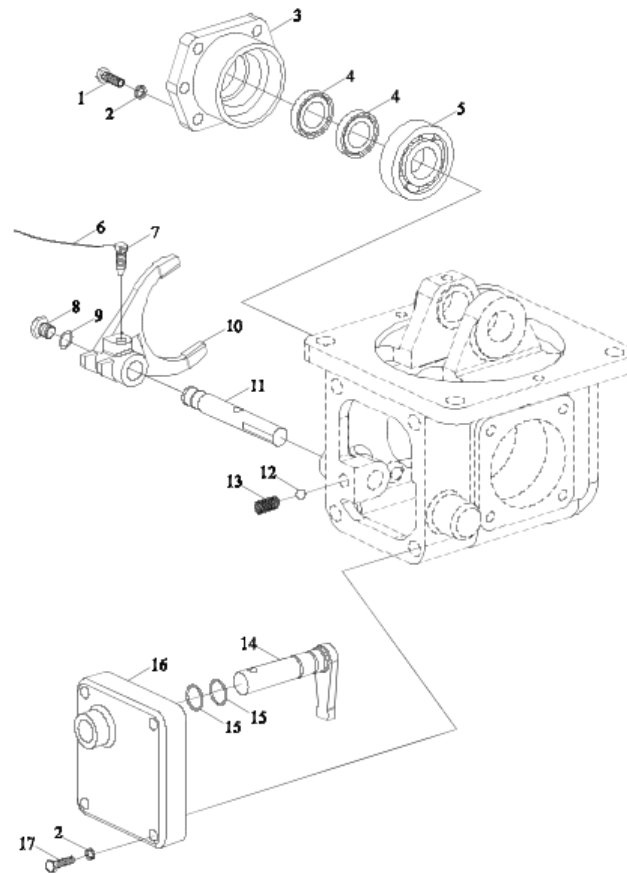
## TD904. 421A TRANSFER CASE ASSEMBLY-2



## TD904. 421A TRANSFER CASE ASSEMBLY-2

No.	Part No.	Description	Version	QTY.	Remark
	TD904. 421A. 1	TRANSFER CASE HOUSING ASSEMBLY		1	
1	GBT75-M10X25-14H-A3L	SLOTTED LOCKING SCREW		1	
2	GBT6170-M10-8-A3L	HEXAGON NUT, TYPE-1		1	
3	FT804. 42. 104a	MIDDLE GEAR SHAFT		1	
4	GBT283-NJ305E	COLUMN ROLLER BEARING		2	
5	GBT893. 1-62	CIRCLIPS FOR HOLE		1	
6	FT804. 42B. 161a	WASHER		1	
7	FT804. 42. 103a	MIDDLE GEAR		1	
8	FT804. 42. 105a	TRANSFER CASE BODY		1	
9	JBT982-18	COMBINED SEAL GASKET		1	
10	FT804. 42. 110	SCREW PLUG		1	
11	FT804. 42. 118b	TRANSFER CASE GEAR SHAFT		1	
12	FT804. 42. 117c	GEAR BUSH		1	
13	FT804. 42. 119a	SPACER BUSH		1	
14	FT804. 42. 116a	DRIVEN GEAR		1	
15	FT804. 42. 114	SHIFT COLLAR		1	
16	FT804. 42. 115	MESH GEAR SEAT		1	
17	GBT894. 1-38	CIRCLIP FOR SHAFT		1	
18	GBT276-6306	DEEP GROOVE BALL BEARING		1	
19	FT804. 42. 112	REAR COVER		1	
20	GBT93-10-A0P	STANDARD SPRING WASHER		4	
21	GBT5783-M10X25-8. 8-A3L	HEXAGON BOLT		4	

## TD904. 421A TRANSFER CASE ASSEMBLY-3

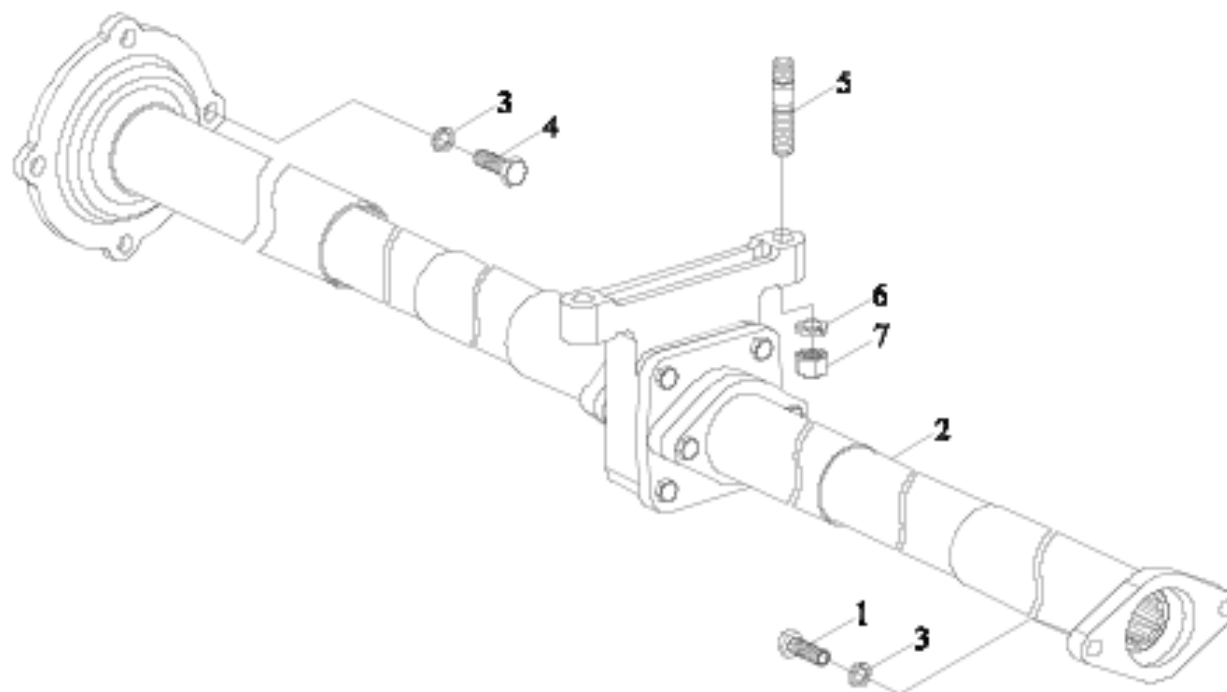


## TD904. 421A TRANSFER CASE ASSEMBLY-3

No.	Part No.	Description	Version	QTY.	Remark
	TD904. 421A. 1	TRANSFER CASE HOUSING ASSEMBLY		1	
1	GBT5783-M10X30-8. 8-A3L	HEXAGON BOLT		4	
2	GBT93-10-A0P	STANDARD SPRING WASHER		8	
3	FT804. 42. 120	FRONT COVER		1	
4	GBT9877. 1-FB30X52X7D	SEAL RING		2	
5	GBT276-6306	DEEP GROOVE BALL BEARING		1	
6	TD904. 421. 2-04	LOCKING STEEL WIRE		1	
7	FT800. 37. 194	LOCKING SCREW		1	
8	FT804. 42. 110	SCREW PLUG		1	
9	JBT982-18	COMBINED SEAL GASKET		1	
10	FT804. 42. 107	RELEASE FORK		1	
11	FT804. 42. 108	FORK SHAFT		1	
12	GBT308-10-G100-b	STEEL BALL		1	
13	FT800. 37. 139	SPRING		1	
14	FT804. 42. 010	ROTARY SHAFT WELDMENT		1	
15	GBT3452. 1-17. 0X1. 80G	RUBBER O-SEAL RING		2	
16	FT804. 42. 106	SIDE COVER		1	
17	GBT5783-M10X45-8. 8-A3L	HEXAGON BOLT		4	



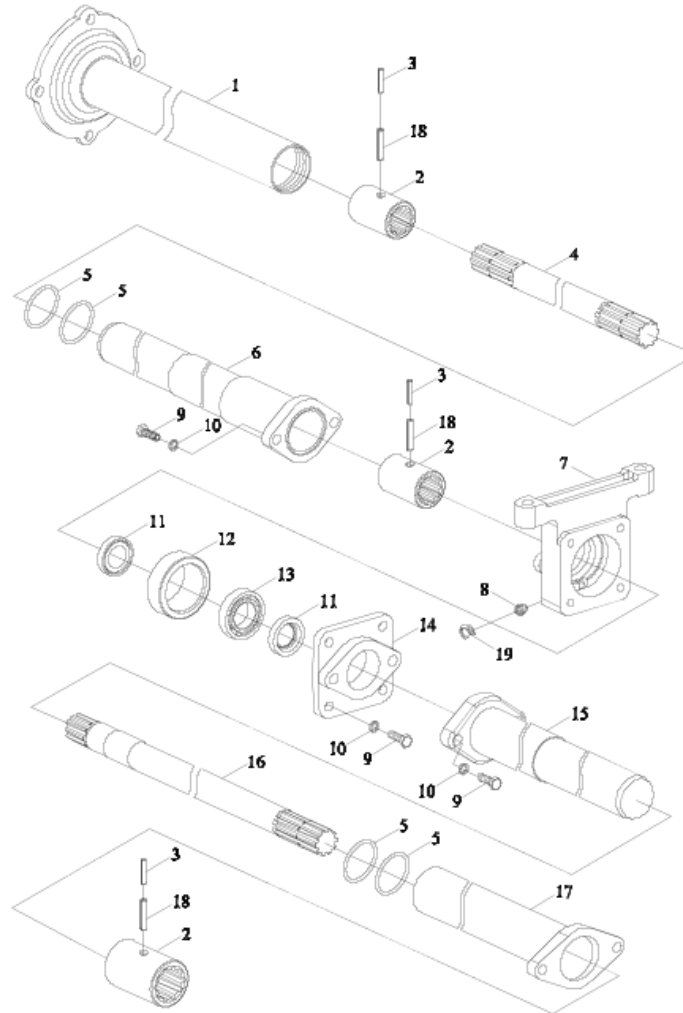
## TD904. 422 TRANSFER CASE TRANSMISSION SHAFT AND COVER ASSEMBLY-1



## TD904. 422 TRANSFER CASE TRANSMISSION SHAFT AND COVER ASSEMBLY-1

No.	Part No.	Description	Version	QTY.	Remark
	TD904. 422	TRANSFER CASE TRANSMISSION SHAFT AND COVER ASSEMBLY		1	
1	GBT5783-M10X30-8. 8-A3L	HEXAGON BOLT		2	
2	TD904. 422. 1	TRANSFER CASE TRANSMISSION SHAFT AND BONNET INSTALLATION		1	
3	GBT93-10-A0P	STANDARD SPRING WASHER		6	
4	GBT5783-M10X25-8. 8-A3L	HEXAGON BOLT		4	
5	GBT899-AM16-M16X1. 5X50-8. 8-A3L	DOUBLE END STUDS		2	
6	GBT93-16-A0P	STANDARD SPRING WASHER		2	
7	GBT6176-M16X1. 5-10	HEXAGON NUT, TYPE-2		2	

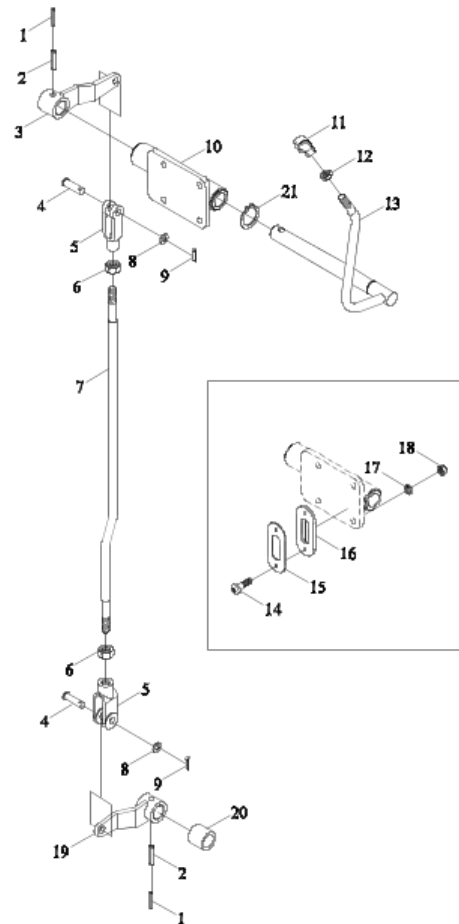
TD904. 422 TRANSFER CASE TRANSMISSION SHAFT AND COVER ASSEMBLY-2



## TD904. 422 TRANSFER CASE TRANSMISSION SHAFT AND COVER ASSEMBLY-2

No.	Part No.	Description	Version	QTY.	Remark
	TD904. 422	TRANSFER CASE TRANSMISSION SHAFT AND COVER ASSEMBLY		1	
	TD904. 422. 1	TRANSFER CASE TRANSMISSION SHAFT AND BONNET INSTALLATION		1	
1	FT804. 42. 016	OUTER SLEEVE WELDMENT		1	
2	FT804. 42. 123b	SPLINE BUSH		3	
3	GBT879. 1-3. 5X40	SPRING COLUMN PIN		3	
4	FT804. 42. 130b	FRONT TRANSMISSION SHAFT		1	
5	GBT3452. 1-46. 2X3. 55G	RUBBER O-SEAL RING		4	
6	FT804. 42. 015	INNER SLEEVE WELDMENT-2		1	
7	FT804A. 42. 129	SUPPORT SEAT		1	
8	JBT7940. 1-M10X1	STRAIGHT FORCED FILLING OIL CUP		1	
9	GBT5783-M10X30-8. 8-A3L	HEXAGON BOLT		8	
10	GBT93-10-A0P	STANDARD SPRING WASHER		8	
11	GBT9877. 1-FB30X52X7D	SEAL RING		2	
12	FT804. 42. 128	RUBBER RING		1	
13	GBT276-6006	DEEP GROOVE BALL BEARING		1	
14	FT804. 42. 127	SUPPORT SEAT COVER		1	
15	FT804. 42. 014	INNER SLEEVE WELDMENT-1		1	
16	FT804. 42. 125b	MIDDLE TRANSMISSION SHAFT		1	
17	FT804. 42. 011	OUTER SLEEVE WELDMENT		1	
18	GBT879. 1-6X40	SPRING COLUMN PIN		3	
19	TD800. 311C. 1-01	DUSTPROOF CAP OF OIL CUP		1	

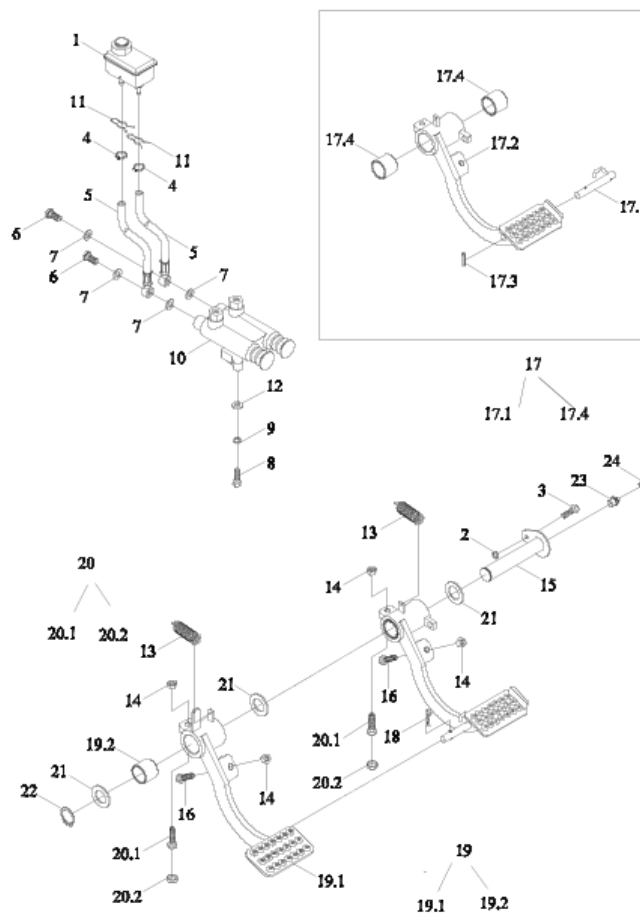
TS0642301000 TRANSFER CASE CONTROL ASSEMBLY



## TS06423010000 TRANSFER CASE CONTROL ASSEMBLY

No.	Part No.	Description	Version	QTY.	Remark
	TS06423010000	TRANSFER CASE CONTROL ASSEMBLY		1	
1	GBT879. 1-5X32	SPRING COLUMN PIN		2	
2	GBT879. 1-8X32	SPRING COLUMN PIN		2	
3	TS06423010012	TRANSFER CASE ROCKER WELDMENT		1	
4	GBT882-B10X30-A3L	PIN SHAFT		2	
5	FT300. 43. 108	PULL ROD FRONT FORK		2	
6	GBT6170-M10-8-A3L	HEXAGON NUT, TYPE-1		1	
7	TS06423010007	PULL ROD		1	
8	GBT97. 1-10-A3L	FLAT WASHER		2	
9	GBT91-3. 2X30-A0P	SPLIT PIN		2	
10	TS06423010008	ROTARY SHAFT BRACKET ASSEMBLY		1	
11	TS04423010001	TRANSFER CASE CONTROL HANDLE		1	
12	GBT6172. 1-M10-04-A3L	HEXAGON THIN NUT		1	
13	TS06423010001	TRANSFER CASE CONTROL ROD WELDMENT		1	
14	GBT823-M6X12-4. 8-A2L	SCREW		2	
15	TS04423010013	PRESSURE PLATE		1	
16	TS04423010012	SEAL GASKET		1	
17	GBT93-8-A3L	STANDARD SPRING WASHER		4	
18	GBT6170-M8-8-A2L	HEXAGON NUT, TYPE-1		4	
19	TS06423010005	ROCKER WELDMENT		1	
20	FT804. 42B. 160	SPACER BUSH		1	
21	GBT894. 1-20	CIRCLIP FOR SHAFT		1	

TS0643301000 TRAVELLING BRAKE CONTROL MECHANISM ASSEMBLY-1



## TS06433010000 TRAVELLING BRAKE CONTROL MECHANISM ASSEMBLY-1

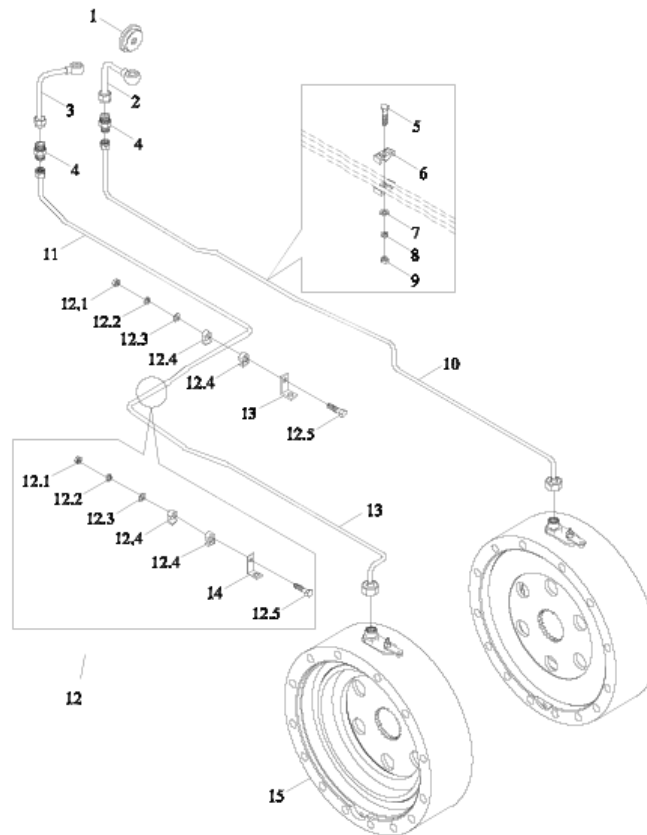
No.	Part No.	Description	Version	QTY.	Remark
	TS06433010000	TRAVELLING BRAKE CONTROL MECHANISM ASSEMBLY		1	
1	TS06433010010	BRAKE OIL TANK ASSEMBLY		1	
2	GBT93-8-A0P	STANDARD SPRING WASHER		1	
3	GBT5783-M8X16-8.8-A3L	HEXAGONHEADBOLT, FULLTHREAD		1	
4	Q673B115	STEEL STRIP ELASTIC HOOP		2	
5	TS06433010005	OIL CONVEYING HOSE		2	
6	FT800.43.115	OIL PIPE JOINT SCREW		4	
7	JBT982-12	COMBINED SEAL GASKET		8	
8	GBT5783-M10X30-8.8-A3L	HEXAGON BOLT		3	
9	GBT93-10-A0P	STANDARD SPRING WASHER		3	
10	FT800A.43C.018	BRAKE PUMP ASSEMBLY		1	
11	TG1204.433-04	CLAMP RING		2	
12	GBT97.1-10-A0P	FLAT WASHER		3	
13	TD800.43-01	PEDAL RETURN SPRING		2	
14	GBT6170-M10-8-A3L	HEXAGON NUT, TYPE-1		4	
15	TS06433010008	SUPPORT SHAFT WELDMENT		1	
16	FT800.43.103	ADJUSTING SCREW		2	
17	TS10433010006	RIGHT BRAKE ROCKER UNIT		1	
17.1	FT800A.43.065	BRAKE CONNECTING LOCK ROD WELDMENT		1	
17.2	TS10433010005	RIGHT BRAKE ROCKER WELDMENT		1	
17.3	GBT879.1-5X16	SPRING COLUMN PIN		1	
17.4	TG1654.212B.1-01	SLEEVE		2	



## TS06433010000 TRAVELLING BRAKE CONTROL MECHANISM ASSEMBLY-1 (cont'd.)

No.	Part No.	Description	Version	QTY.	Remark
18	FT800A. 43. 401	LOCK PIN		1	
19	TS10433010004	LEFT BRAKE ROCKER UNIT		1	
19. 1	TS10433010003	LEFT BRAKE ROCKER WELDMENT		1	
19. 2	TG1654. 212B. 1-01	SLEEVE		1	
20	FT800. 43. 030	ADJUSTING SCREW UNIT		2	
20. 1	FT800. 43. 103	ADJUSTING SCREW		1	
20. 2	FT800. 43. 210	CUSHIONSLEEVE		1	
21	TF1004. 433-01	NYLON SPACER BUSH		4	
22	GBT894. 1-30	CIRCLIP FOR SHAFT		1	
23	JBT7940. 1-M8X1	STRAIGHT FORCED FILLING OIL CUP		1	
24	TD800. 311C. 1-01	DUSTPROOF CAP OF OIL CUP		1	

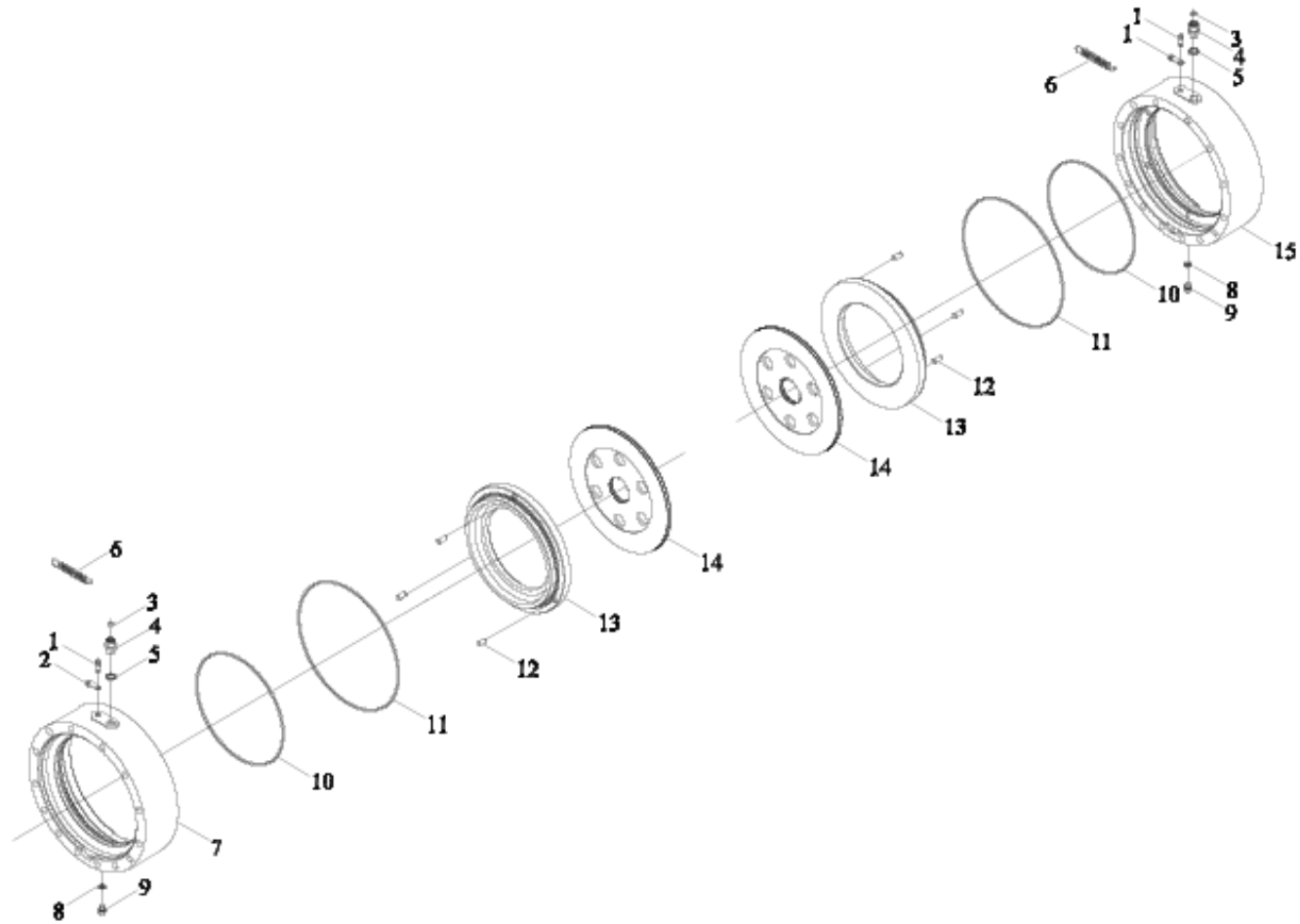
TS0643301000 TRAVELLING BRAKE CONTROL MECHANISM ASSEMBLY-2



## TS06433010000 TRAVELLING BRAKE CONTROL MECHANISM ASSEMBLY-2

No.	Part No.	Description	Version	QTY.	Remark
	TS06433010000	TRAVELLING BRAKE CONTROL MECHANISM ASSEMBLY		1	
1	FT800A. 43C. 230	SEAL SLEEVE		2	
2	FT800A. 43C. 012b	RIGHT BRAKE SHORT OIL PIPE ASSEMBLY		1	
3	FT800A. 43C. 011b	LEFT BRAKE SHORT OIL PIPE ASSEMBLY		1	
4	FT800A. 43. 315	STRAIGHT JOINT BODY		2	
5	GBT5783-M8X40-8. 8-A2L	HEXAGON BOLT		1	
6	FT800A. 43C. 229	DOUBLE-HOLE PIPE CLIP		2	
7	GBT97. 1-8-A0P	FLAT WASHER		1	
8	GBT93-8-A0P	STANDARD SPRING WASHER		1	
9	GBT6170-M8-8-A2L	HEXAGON NUT, TYPE-1		1	
10	TS06433010001	RIGHT BRAKE LONG OIL PIPE ASSEMBLY		1	
11	TS06433010002	LEFT BRAKE LONG OIL PIPE ASSEMBLY		1	
12	F600190	CLAMP		2	
12. 1	GBT6170-M8-8-A2L	HEXAGON NUT, TYPE-1		1	
12. 2	GBT93-8-A0P	STANDARD SPRING WASHER		1	
12. 3	GBT95-8-A0P	FLAT WASHER		1	
12. 4	F600209	SINGLE HOLE PIPE CLAMP 2		2	
12. 5	GBT5783-M8X40-8. 8-A2L	HEXAGON BOLT		1	
13	FT800A. 43. 335	OIL PIPE LOCKING PLATE		1	
14	TS06433010009	OIL PIPE LOCKING PLATE		1	
15	FT800. 43. 015	BRAKE ASSEMBLY		1	

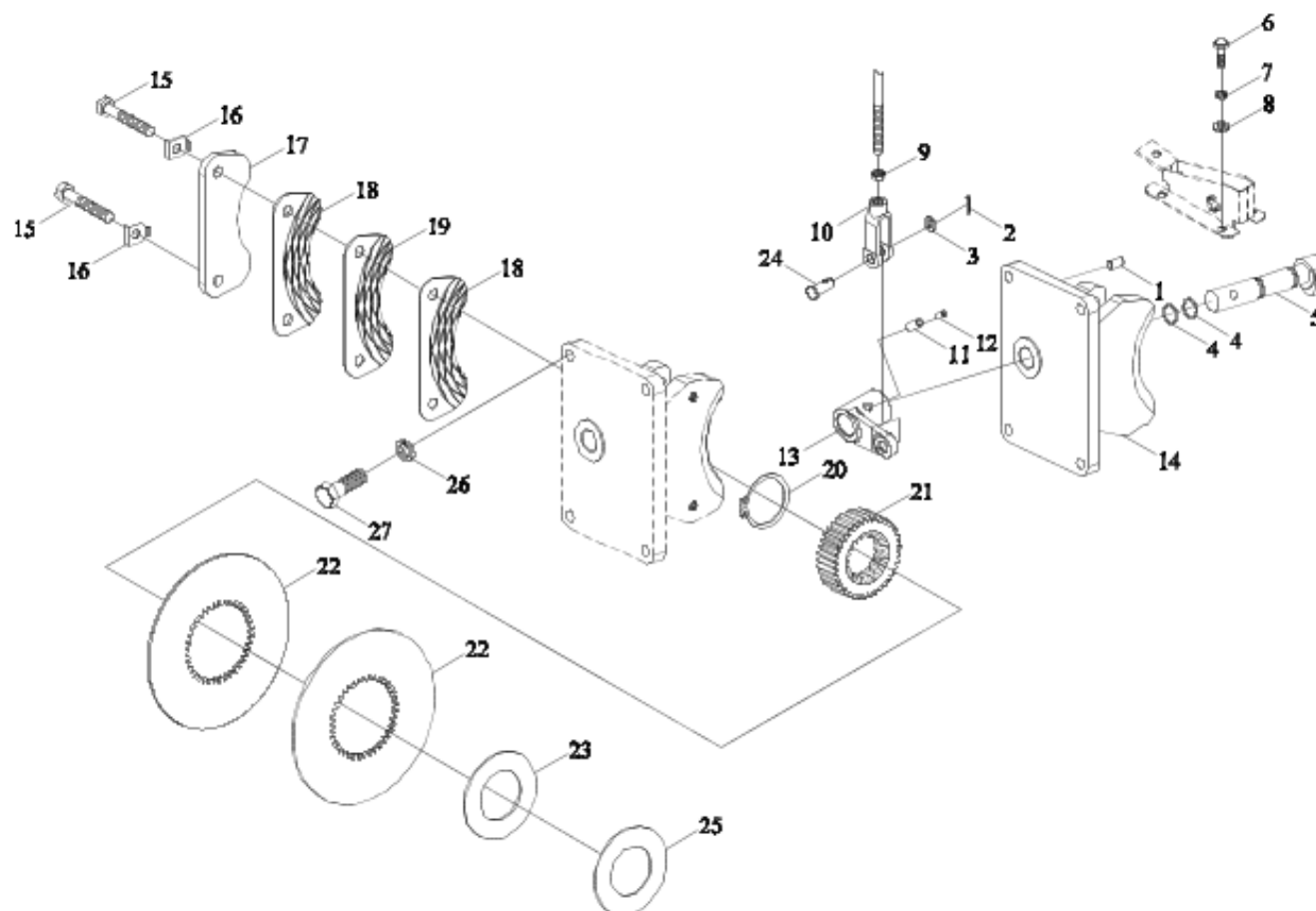
## TS0643301000 TRAVELLING BRAKE CONTROL MECHANISM ASSEMBLY-3



## TS06433010000 TRAVELLING BRAKE CONTROL MECHANISM ASSEMBLY-3

No.	Part No.	Description	Version	QTY.	Remark
	TS06433010000	TRAVELLING BRAKE CONTROL MECHANISM ASSEMBLY		1	
	FT800. 43. 015	BRAKE ASSEMBLY		1	
1	TD950. 43. 5-04	DEFLATION SCREW		2	
2	TD950. 43. 5-05	DUSTPROOF COVER		2	
3	GBT3452. 1-10. 0X1. 80G	RUBBER O-SEAL RING		2	
4	FT800. 43. 130	JOINT BODY		2	
5	JBT982-16	COMBINED SEAL GASKET		2	
6	FT800. 43. 173	SPRING		12	
7	FT800. 43. 153b	RIGHT BRAKE CYLINDER		1	
8	JBT982-10	COMBINED SEAL GASKET		2	
9	TG1204. 431-08	HEX SCREW		2	
10	FT800. 43. 149	SEAL RING		2	
11	FT800. 43. 150	O-SEAL RING		2	
12	GBT119. 1-10m6X22-A0P	COLUMN PIN		6	
13	FT800. 43. 151	BRAKE PISTON		2	
14	FT800. 43. 027	FRICTION PIECE UNIT		2	
15	FT800. 43. 147b	LEFT BRAKE CYLINDER HOUSING		1	

## TS06435010000 PARKING BRAKE CONTROL MECHANISM ASSEMBLY



## TS06435010000 PARKING BRAKE CONTROL MECHANISM ASSEMBLY

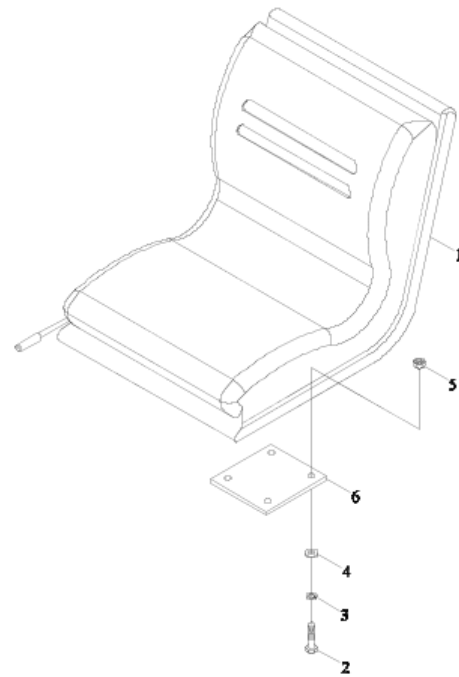
No.	Part No.	Description	Version	QTY.	Remark
	TS06435010001	HAND BRAKE CONTROLLING HANDLE ASSEMBLY		1	
	TS06435010000	PARKING BRAKE CONTROL MECHANISM ASSEMBLY		1	
1	GBT119. 1-8h8X16-A0P	COLUMN PIN		2	
2	GBT91-3. 2X20-A0P	SPLIT PIN		2	
3	GBT97. 1-10-A0P	FLAT WASHER		4	
4	GBT3452. 1-15X2. 65G	RUBBER O-SEAL RING		2	
5	FT800. 43. 169	BRAKE CAMSHAFT		1	
6	GBT5783-M8X35-8. 8-A2L	HEXAGON BOLT		4	
7	GBT93-8	STANDARD SPRING WASHER		4	
8	GBT97. 1-8-A0P	FLAT WASHER		4	
9	GBT6171-M10X1-8-A2L	HEXAGON NUT, TYPE-1		1	
10	FT800. 21. 240	PULL ROD FRONT FORK		1	
11	GBT879. 1-8X30	SPRING COLUMN PIN		1	
12	GBT879. 1-5X30	SPRING COLUMN PIN		1	
13	FT800A. 43. 321	ROTARY HANDLE		1	
14	FT800. 43. 132	COVER SEAT		1	
15	FT800. 43. 194	BOLT		2	
16	GBT854-10	STOPPING WASHER		2	
17	FT800. 43. 131	PRESSURE PLATE		1	
18	FT800. 43. 023	FRICTION PIECE UNIT		2	
19	FT800. 43. 024	MIDDLE FRICTION PIECE UNIT		1	
20	GBT894. 1-48	CIRCLIP FOR SHAFT		1	
21	FT800. 43. 136	SPLINE BUSH WHEEL		1	

## TS06435010000 PARKING BRAKE CONTROL MECHANISM ASSEMBLY (cont'd.)

No.	Part No.	Description	Version	QTY.	Remark
22	FT800. 43. 141	STEEL PIECE		2	
23	FT800. 43. 142	ADJUSTING WASHER		999	
24	GBT882-B10X30	PIN SHAFT		1	
25	FT800. 43. 145	ADJUSTING WASHER		999	
26	GBT93-10	STANDARD SPRING WASHER		4	
27	GBT5783-M10X30-8. 8-A3L	HEXAGON BOLT		4	



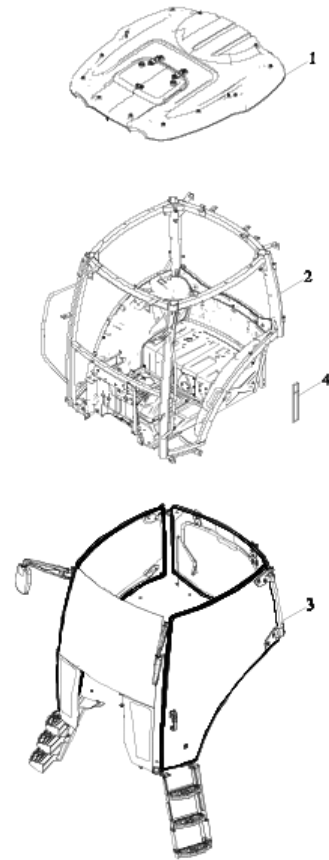
TC05441020000K SEAT INSTALLATION ASSEMBLY



## TC05441020000K SEAT INSTALLATION ASSEMBLY

No.	Part No.	Description	Version	QTY.	Remark
	TC05441020000K	SEAT INSTALLATION ASSEMBLY			
1	TC02440050001K	SEAT ASSEMBLY			
2	GBT5783-M8X25-8.8-A2L	HEXAGON BOLT			
3	GBT93-8-A3L	STANDARD SPRING WASHER			
4	GBT95-8-A3L	FLAT WASHER			
5	GBT6170-M8-8-A2L	HEXAGON NUT, TYPE-1			
6	TC05441020001K	SEATPLATE			

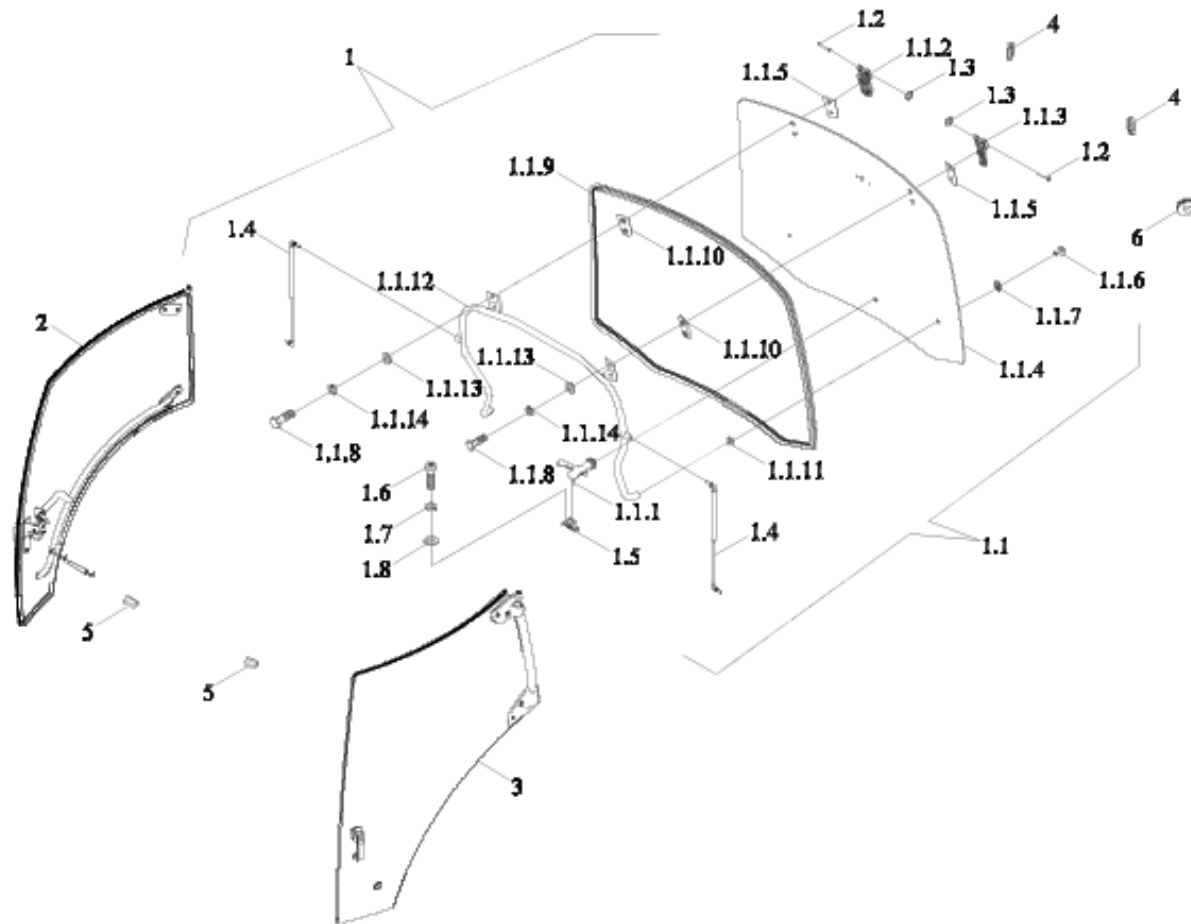
TD1C451020000K DRIVER' S CAB ASSEMBLY-1



## TD1C451020000K DRIVER' S CAB ASSEMBLY-1

No.	Part No.	Description	Version	QTY.	Remark
	TD1C451020000K	DRIVER' S CAB ASSEMBLY		1	
1	TS06453015000	TOP COVER ASSEMBLY		1	
2	TD1C451020001K	CAB WELDMENT		1	
3	TS06451020002	CAB ACCESSORY		1	
4	TS06451010003	OECD NAMEPLATE		1	

TD1C451020000K DRIVER' S CAB ASSEMBLY-2



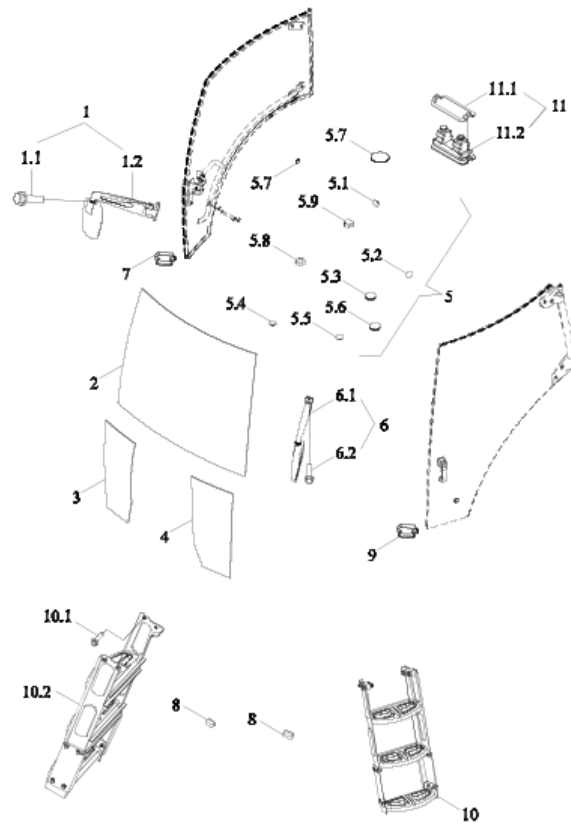
## TD1C451020000K DRIVER' S CAB ASSEMBLY-2

No.	Part No.	Description	Version	QTY.	Remark
	TD1C451020000K	DRIVER' S CAB ASSEMBLY		1	
	TS06451020002	CAB ACCESSORY		1	
1	TC03451026000	REAR WINDOW ASSEMBLY		1	
1.1	TC03451026100	BACK WIND WINDOWS		1	
1.1.1	TS06451016109	HANDLE ASSEMBLY		1	
1.1.2	TS04451046111	BACK WINDOWS RIGHT HINGED SEAT		1	
1.1.3	TS04451046110	BACK WINDOWS LEFT HINGED SEAT		1	
1.1.4	TS06451016101	BACK WIND WINDOW GLASS		1	
1.1.5	TS06451016112	BACK WINDOWS HINGED OUT PAD BOARD		2	
1.1.6	TS04451013106	CAST BOLT		2	
1.1.7	TD904.451C.2-10	GLASS OUT WASHER		2	
1.1.8	GBT5783-M8X25-8.8-A2L	HEXAGON BOLT		4	
1.1.9	TS06451016108	REAR WINDOW SEAL STRIP		1	
1.1.10	TS04451046113	BACK WINDOWS HINGED INTO PAD BOARD		2	
1.1.11	TD904.451C.2-09	GLASS IN WASHER		2	
1.1.12	TS06451016102	REAR WINDOW ARMREST WELDMENT		1	
1.1.13	GBT96.1-8-A0P	BIG WASHER		4	
1.1.14	GBT93-8-A0P	STANDARD SPRING WASHER		4	
1.2	TS06451016004	BACK WINDOWS HINGED PIN SHAFT		2	
1.3	GBT896-6	SPLIT RETAINER RING		2	
1.4	TS06451016001	REAR WINDOW PNEUMATIC SPRING		2	
1.5	TS06451016003	SEAT		1	
1.6	GBT818-M6X20-4.8	CROSS SCREW		2	

## TD1C45102000K DRIVER' S CAB ASSEMBLY-2 (cont'd.)

No.	Part No.	Description	Version	QTY.	Remark
1.7	GBT93-6-AOP	STANDARD SPRING WASHER		2	
1.8	GBT97.1-6-AOP	FLAT WASHER		2	
2	TC03451024000	RIGHT DOOR ASSEMBLY		1	
3	TC03451023000	LEFT DOOR ASSEMBLY		1	
4	FT65.48.093	RUBBER RING-1		4	
5	TS06451011269	GLASS MOUNTINGS MAT		2	
6	TS06451010010	PLUG COVER		2	

TD1C451020000K DRIVER' S CAB ASSEMBLY-3





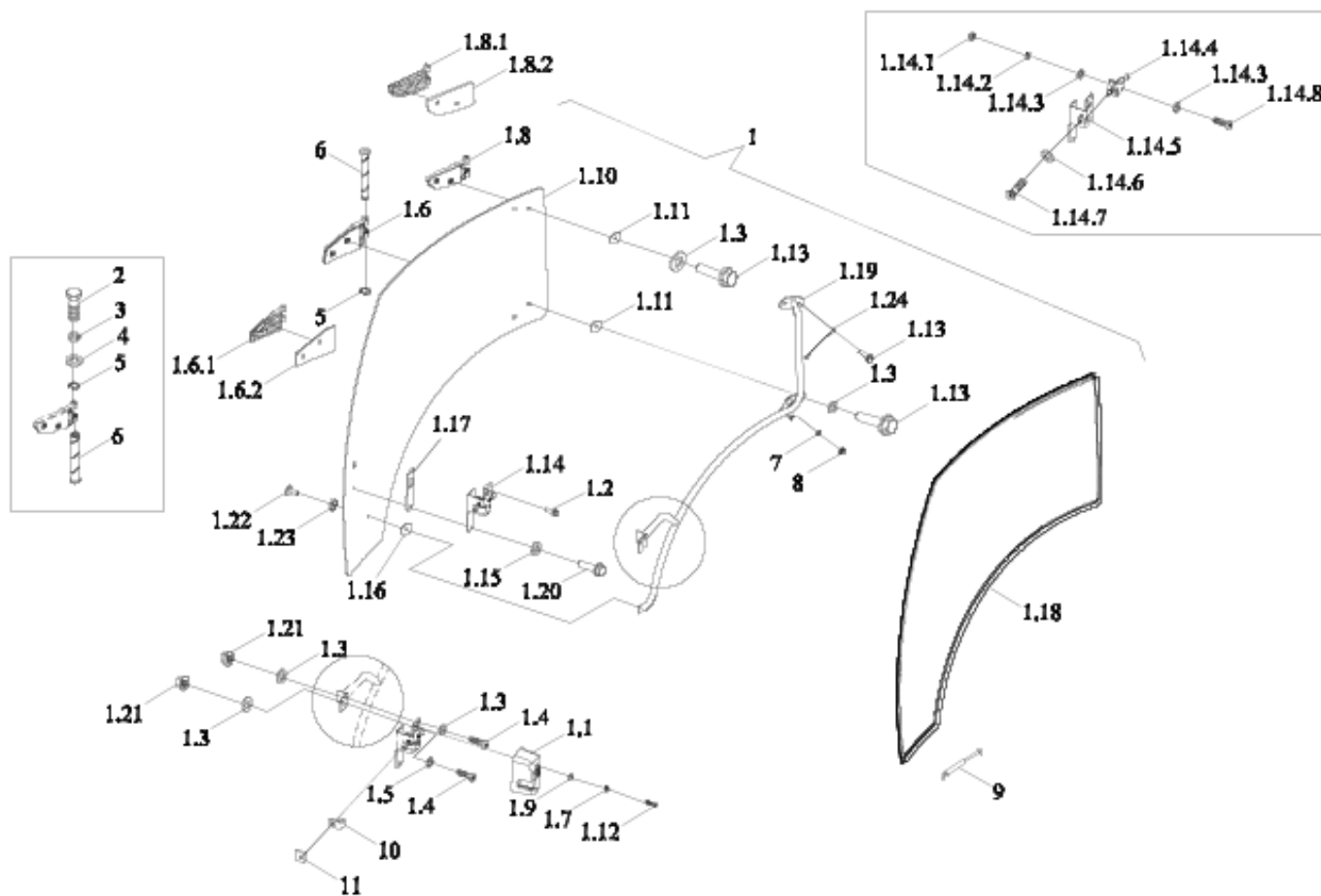
## TD1C451020000K DRIVER' S CAB ASSEMBLY-3

No.	Part No.	Description	Version	QTY.	Remark
	TD1C451020000K	DRIVER' S CAB ASSEMBLY		1	
	TS06451020002	CAB ACCESSORY		1	
1	TS06451018201	RIGHT REAR MIRROR INSTALLATION ASSEMBLY		1	
1.1	GBT16674. 1-M8X25-8. 8-A2L	HEXAGON FLANGE NUT		2	
1.2	TS06451018200	RIGHT REAR MIRROR ASSEMBLY		1	
2	TS06451015001	FRONT WINDSHIELD		1	
3	TS06451015005	RIGHT FRONT LOWER WINDOW GLASS		1	
4	TS06451015004	LEFT FRONT LOWER WINDOW GLASS		1	
5	TS06451019000	CAB SEAL		1	
5.1	TS06451019004	PROCESS PLUG COVER 4		3	
5.2	TS06451019001	PROCESS PLUG COVER 1		14	
5.3	TD800. 452-13	PLUG COVER		2	
5.4	TS06451019003	PROCESS PLUG COVER 3		7	
5.5	TS06451019002	PROCESS PLUG COVER 2		4	
5.6	TD800. 452-11	PLUG COVER		1	
5.7	QLWZL002-80X1. 5	3M GLUE PIECE		2	
5.7	QLWZL002-20X1. 0	3M GLUE PIECE		24	
5.7	QLWZL002-35X1. 0	3M GLUE PIECE		2	
5.8	TS06451019006	SEAL SPONGE		1	
5.9	TS06451019005	SEAL SPONGE		1	
6	TS06451018101	LEFT REAR VIEW MIRROR INSTALLATION ASSEMBLY		1	
6.1	TS06451018100	LEFT REAR MIRROR ASSEMBLY		1	
6.2	GBT16674. 1-M8X25-8. 8-A2L	HEXAGON FLANGE NUT		2	

## TD1C451020000K DRIVER' S CAB ASSEMBLY-3 (cont'd.)

No.	Part No.	Description	Version	QTY.	Remark
7	TS06811010009	GUARD RING 2		1	
8	TS06451011274	GLASS MOUNTINGS MAT		2	
9	TS06811010008	GUARD RING 1		1	
10	TS06451017200	LADDER INSTALLATION ASSEMBLY		2	
10.1	GBT16674.1-M10X50-8.8-A3L	HEXAGON FLANGE NUT		4	
10.2	TS06451017206	LADDER		1	
11	TS04451010040	HANDLE BONNET		1	
11.1	TS04451010042	BONNET PRESSURE PLATE		1	
11.2	TS04451010041	HANDLE BONNET		1	

TD1C451020000K DRIVER' S CAB ASSEMBLY-4



## TD1C451020000K DRIVER' S CAB ASSEMBLY-4

No.	Part No.	Description	Version	QTY.	Remark
	TD1C451020000K	DRIVER' S CAB ASSEMBLY		1	
	TS06451020002	CAB ACCESSORY		1	
	TC03451024000	RIGHT DOOR ASSEMBLY		1	
1	TC03451024100	RIGHT DOOR		1	
1.1	TS06451014230	RIGHT DOOR LOCK BONNET		1	
1.2	GBT5789-M8X30-8.8-A2L	HEXAGON FLANGE NUT		1	
1.3	GBT97.1-8-A3L	FLAT WASHER		2	
1.4	GBT818-M8X30-4.8-A2L	CROSS SCREW		3	
1.5	GBT96.1-8-A3L	BIG WASHER		5	
1.6	TC03451024217a	LOWER RIGHT DOOR HINGE ASSY.		1	
1.6.1	TS04451044222a	LOWER RIGHT DOOR HING		1	
1.6.2	TC03451024112	RIGHT DOOR HINGE OUT RUBBER WASHER LOWER		1	
1.7	GBT93-6-A3L	STANDARD SPRING WASHER		2	
1.8	TC03451024117	UPPER RIGHT DOOR HINGE ASSY.		1	
1.8.1	TS04451044221	UPPER RIGHT DOOR HING		1	
1.8.2	TC03451024111	RIGHT DOOR HINGE OUT RUBBER WASHER UPTER		1	
1.9	GBT97.1-6-A3L	FLAT WASHER		2	
1.10	TC03451024101	RIGHT DOOR GLASS		1	
1.11	TS04451043110	DOOR HINGE IN RUBBER WASHER		4	
1.12	GBT818-M6X16-4.8-A2L	CROSS SCREW		2	
1.13	GBT5789-M8X25-8.8-A2L	HEXAGON FLANGE NUT		3	
1.14	TS06451014017	RIGHT DOOR LOCK ASSEMBLY		1	
1.14.1	GBT6170-M6-8-A2L	HEXAGON NUT, TYPE-1		2	

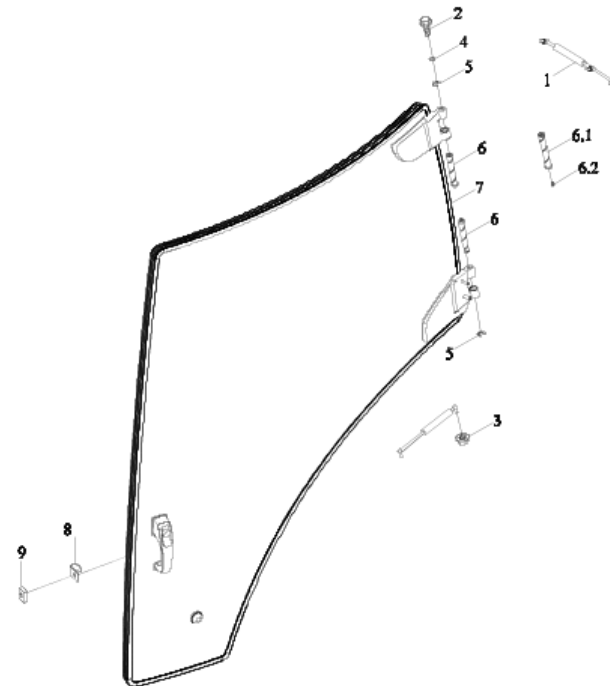
## TD1C45102000K DRIVER' S CAB ASSEMBLY-4 (cont'd.)

No.	Part No.	Description	Version	QTY.	Remark
1. 14 . 2	GBT93-6-A3L	STANDARD SPRING WASHER		2	
1. 14 . 3	GBT97. 1-6-A3L	FLAT WASHER		4	
1. 14 . 4	TS06451014210	RIGHT DOOR LOCK		1	
1. 14 . 5	TS06451014116	RIGHT DOOR INSTALLATION BRACKET		1	
1. 14 . 6	GBT956. 1-6	TAPER LOCK WASHER		2	
1. 14 . 7	GBT819. 1-M6X16-4. 8-A2L	SCREW		2	
1. 14 . 8	GBT818-M6X30-4. 8-A2L	CROSS SCREW		2	
1. 15	GBT96. 1-6-A3L	BIG WASHER		1	
1. 16	TS06451013121	DOOR GLASS IN RUBBER WASHER		1	
1. 17	TS06451014118	RIGHT DOOR BRACKET RUBBER WASHER		1	
1. 18	TS06451013102	DOOR SEAL STRIP		1	
1. 19	TC03451024103	RIGHT DOOR RAIL WELDMENT		1	
1. 20	GBT5789-M6X30-8. 8-A2L	HEXAGON FLANGE NUT		3	
1. 21	GBT6177. 1-M8-8-A2L	HEXAGON FLANGE NUT		3	
1. 22	TS04451013106	CAST BOLT		1	
1. 23	TD904. 451C. 2-10	GLASS OUT WASHER		1	
1. 24	TS04451023006	DOOR LIMIT CHAIN		1	
2	GBT5783-M6X12-8. 8-A2L	HEXAGON BOLT		1	
3	GBT93-6-A3L	STANDARD SPRING WASHER		1	
4	GBT96. 1-6-A3L	BIG WASHER		1	
5	GBT896-12-A3L	SPLIT RETAINER RING		2	
6	TS06451013005	DOOR LOCK PIN SHAFT		2	

## TD1C451020000K DRIVER' S CAB ASSEMBLY-4 (cont'd.)

No.	Part No.	Description	Version	QTY.	Remark
7	GBT93-8-A3L	STANDARD SPRING WASHER		1	
8	GBT6170-M8-10-A2L	HEXAGON NUT, TYPE-1		1	
9	TD904. 451C. 2-12	DOOR PNEUMATIC SPRING		1	
10	TS06451013001	LIMIT PLATE		1	
11	TS04451013002	DOOR LOCK NUT SEAT		1	

TD1C451020000K DRIVER' S CAB ASSEMBLY-5

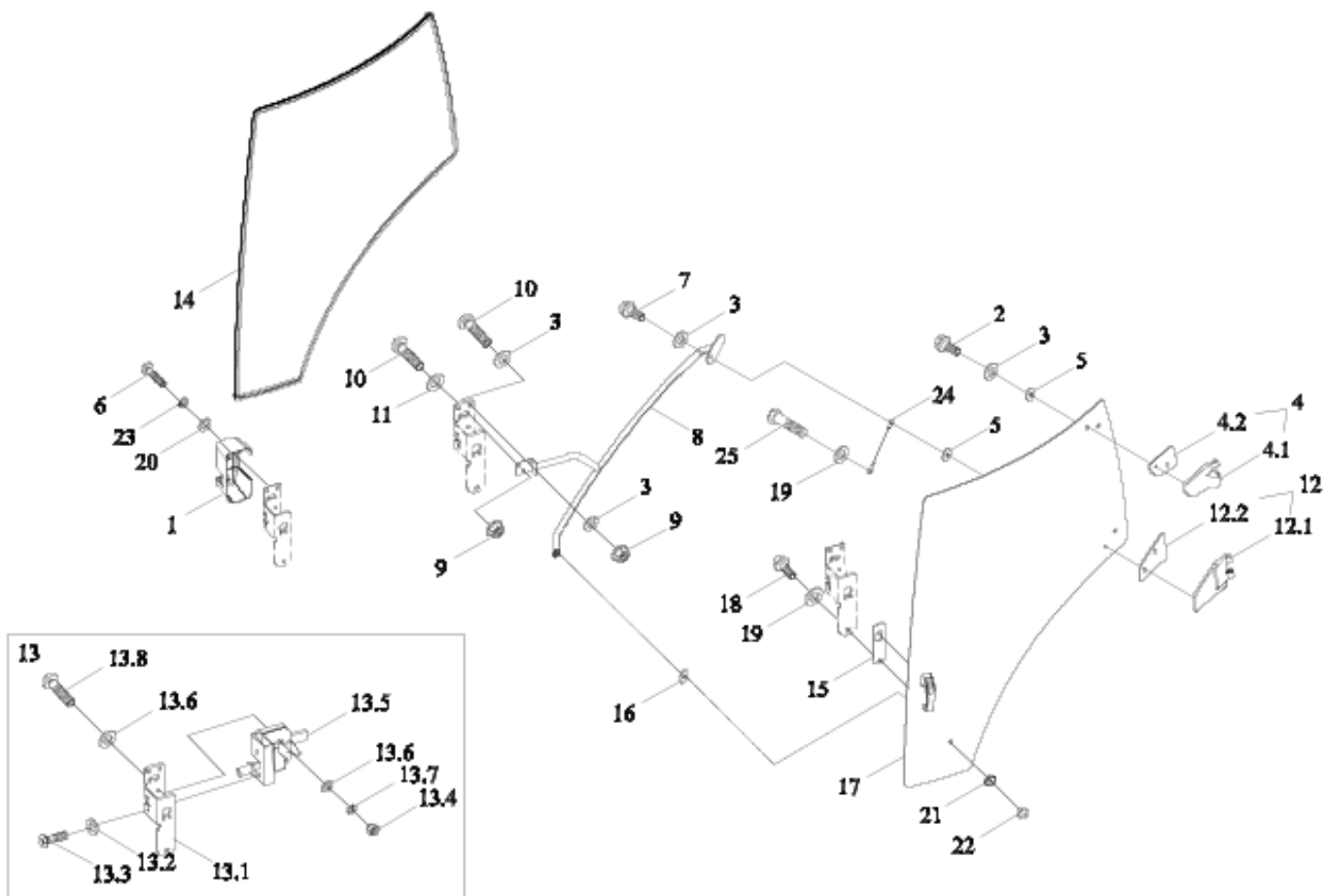


## TD1C451020000K DRIVER' S CAB ASSEMBLY-5

No.	Part No.	Description	Version	QTY.	Remark
	TD1C451020000K	DRIVER' S CAB ASSEMBLY		1	
	TS06451020002	CAB ACCESSORY		1	
	TC03451023000	LEFT DOOR ASSEMBLY		1	
1	TD904. 451C. 2-12	DOOR PNEUMATIC SPRING		1	
2	GBT5789-M6X12-8. 8-A2L	HEXAGON FLANGE NUT		1	
3	GBT6177. 1-M8-10-A2L	HEXAGON FLANGE NUT		1	
4	GBT96. 1-6-A3L	BIG WASHER		1	
5	GBT896-12-A3L	SPLIT RETAINER RING		2	
6	TS06451013005	DOOR LOCK PIN SHAFT		2	
6.1	TS06451013002	DOOR LOCK PIN SHAFT		1	
6.2	JBT7940. 1-M6	STRAIGHT FORCED FILLING OIL CUP		1	
7	TC03451023100	LEFT DOOR		1	
8	TS06451013001	LIMIT PLATE		1	
9	TS04451013002	DOOR LOCK NUT SEAT		1	



TD1C451020000K DRIVER' S CAB ASSEMBLY-6



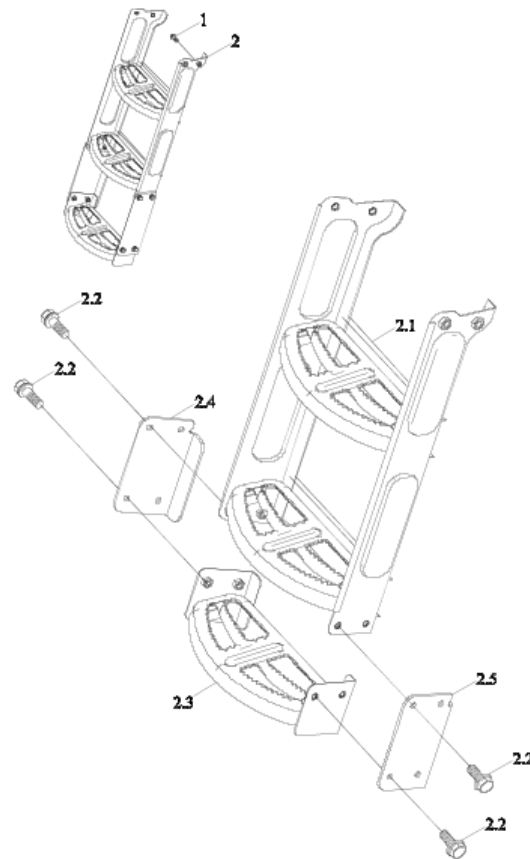
## TD1C45102000K DRIVER' S CAB ASSEMBLY-6

No.	Part No.	Description	Version	QTY.	Remark
	TD1C45102000K	DRIVER' S CAB ASSEMBLY		1	
	TS06451020002	CAB ACCESSORY		1	
	TC03451023000	LEFT DOOR ASSEMBLY		1	
	TC03451023100	LEFT DOOR		1	
1	TS06451013230	LEFT DOOR LOCK BONNET		1	
2	GBT5789-M8X25-8. 8-A2L	HEXAGON FLANGE NUT		3	
3	GBT97. 1-8-A3L	FLAT WASHER		2	
4	TC03451023117	UPPER LEFT DOOR HINGE ASSY.		1	
4.1	TS04451043221	UPPER LEFT DOOR HINGE		1	
4.2	TC03451023111	LEFT DOOR HINGE OUT RUBBER WASHER UPTER		1	
5	TS04451043110	DOOR HINGE IN RUBBER WASHER		4	
6	GBT818-M6X16-4. 8-A2L	CROSS SCREW		2	
7	GBT5789-M8X30-8. 8-A2L	HEXAGON FLANGE NUT		1	
8	TC03451023103	LEFT DOOR RAIL WELDMENT		1	
9	GBT6177. 1-M8-8-A2L	HEXAGON FLANGE NUT		3	
10	GBT818-M8X30-4. 8-A2L	CROSS SCREW		3	
11	GBT96. 1-8-A3L	BIG WASHER		5	
12	TC03451023217a	LOWER LEFT DOOR HINGE ASSY.		1	
12.1	TC03451023112	LEFT DOOR HINGE OUT RUBBER WASHER LOWER		1	
12.2	TS04451043222a	LOWER LEFT DOOR HINGE		1	
13	TS06451013017	LEFT DOOR LOCK ASSEMBLY		1	
13.1	TS06451013116	LEFT DOOR LOCK BONNET		1	
13.2	GBT956. 1-6	TAPER LOCK WASHER		2	

## TD1C45102000K DRIVER' S CAB ASSEMBLY-6 (cont'd.)

No.	Part No.	Description	Version	QTY.	Remark
13.3	GBT819.1-M6X16-4.8-A2L	SCREW		2	
13.4	GBT6170-M6-8-A2L	HEXAGON NUT, TYPE-1		2	
13.5	TS06451013210	LEFT DOOR LOCK BODY		1	
13.6	GBT97.1-6-A3L	FLAT WASHER		4	
13.7	GBT93-6-A3L	STANDARD SPRING WASHER		2	
13.8	GBT818-M6X30-4.8-A2L	CROSS SCREW		2	
14	TS06451013102	DOOR SEAL STRIP		1	
15	TS06451013118	LEFT DOOR BRACKET RUBBER WASHER		1	
16	TS06451013121	DOOR GLASS IN RUBBER WASHER		1	
17	TC03451023101	LEFT DOOR GLASS		1	
18	GBT5789-M6X30-8.8-A2L	HEXAGON FLANGE NUT		3	
19	GBT96.1-6-A3L	BIG WASHER		2	
20	GBT93-6-A3L	STANDARD SPRING WASHER		2	
21	TD904.451C.2-10	GLASS OUT WASHER		1	
22	TS04451013106	CAST BOLT		1	
23	GBT97.1-6-A3L	FLAT WASHER		2	
24	TS04451023006	DOOR LIMIT CHAIN		1	
25	GBT5783-M6X16-8.8-A2L	HEXAGON BOLT		1	

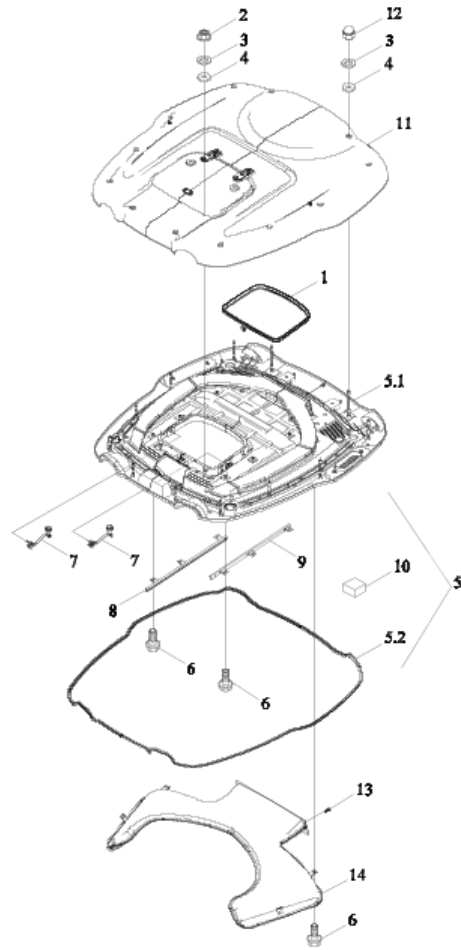
TD1C451020000K DRIVER' S CAB ASSEMBLY-7



## TD1C451020000K DRIVER' S CAB ASSEMBLY-7

No.	Part No.	Description	Version	QTY.	Remark
	TD1C451020000K	DRIVER' S CAB ASSEMBLY		1	
	TS06451020002	CAB ACCESSORY		1	
	TS06451017200	LADDER INSTALLATION ASSEMBLY		2	
1	GBT16674. 1-M10X50-8. 8-A3L	HEXAGON FLANGE NUT		4	
2	TS06451017206	LADDER		1	
2.1	TS06451017201	LADDER WELDMENT		1	
2.2	GBT16674. 1-M8X16-8. 8-A2L	HEXAGON FLANGE NUT		8	
2.3	TS04451017106	PEDAL WELDMENT		1	
2.4	TS06451017204	LADDER LEFT CONNECTING PLATE		1	
2.5	TS06451017205	LADDER RIGHT CONNECTING PLATE		1	

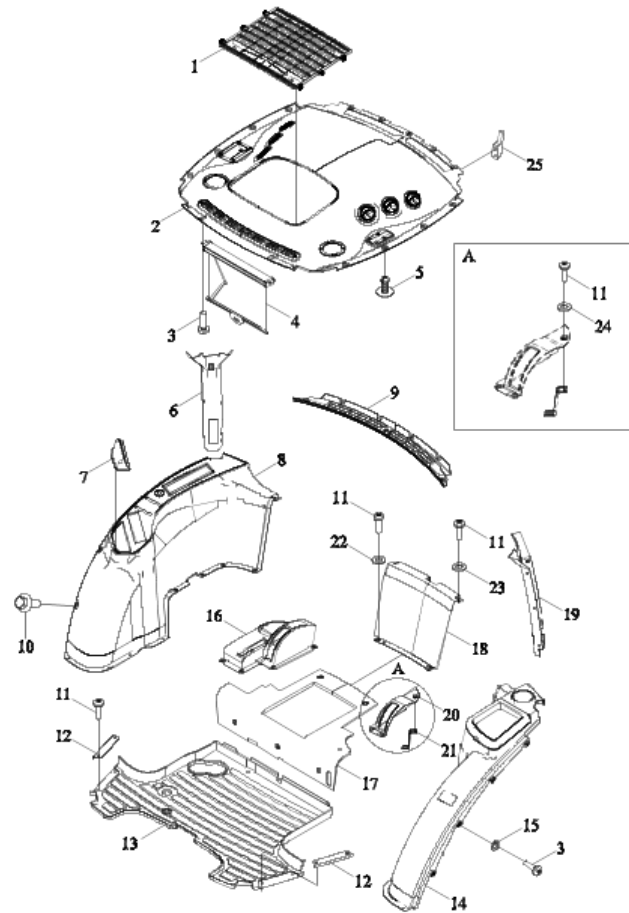
TD1C451020000K DRIVER' S CAB ASSEMBLY-8



## TD1C451020000K DRIVER' S CAB ASSEMBLY-8

No.	Part No.	Description	Version	QTY.	Remark
	TD1C451020000K	DRIVER' S CAB ASSEMBLY		1	
	TS06453015000	TOP COVER ASSEMBLY		1	
1	TS06453015400	SEAL STRIP		1	
2	GBT6177. 1-M6-8-A2L	HEXAGON FLANGE NUT		7	
3	GBT96. 1-6-A3L	BIG WASHER		19	
4	TS06453015001	SEAL GASKET		19	
5	TS06453015202	INNER TOP		1	
5.1	TS06453015200	INNER TOP AIR CONDITION		1	
5.2	TS06453015501	TOP SEAL STRIP		1	
6	GBT16674. 1-M6X20-8. 8-A2L	HEXAGON FLANGE NUT		30	
7	TS06453015600	PNEUMATIC SPRING INSTALLATION ASSEMBLY		2	
8	TS06453015800	RIGHT SLIDEWAY		1	
9	TS06453015700	LEFT SLIDEWAY		1	
10	TS06453015010	SPONGE		4	
11	TS06453015100a	OUT TOP		1	
12	GBT923-M6-A1-50	NUT		12	
13	Q69208	PLASTIC SPLIT PIN		2	
14	TS06453015320	LOWER WIND WAY		1	

TS06453040000 UPHOLSTERY ASSEMBLY





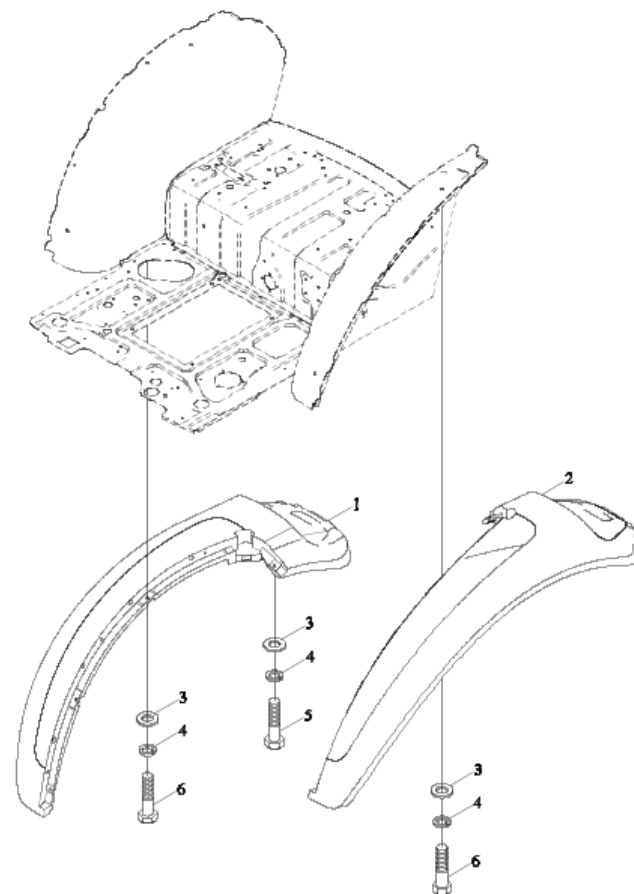
## TS06453040000 UPHOLSTERY ASSEMBLY

No.	Part No.	Description	Version	QTY.	Remark
	TS06453040000	UPHOLSTERY ASSEMBLY		1	
1	TS06453017000	SUNSHADE BOARD ASSEMBLY		1	
2	TS06453011000	TOP UPHOLSTERY		1	
3	GBT818-M6X20-4.8-0	CROSS SCREW		43	
4	TF1004.451.5-01	SHADOW CURTAIN		1	
5	Q69208	PLASTIC SPLIT PIN		36	
6	TS06453013500	RIGHT HOUSING		1	
7	TS06453013600	WATCH BONNET		1	
8	TS06453013200	RIGHT REAR MUD GUARD DECORATION PART		1	
9	TS06453016000	WIND MOUTH		1	
10	GBT16674.1-M6X20-8.8-0	HEXAGON FLANGE NUT		4	
11	GBT819.2-M6X25-A2-70	SCREW		4	
12	TS06453014000	FLOOR MAT PRESSURE PLATE		2	
13	TS06453012000	FLOORMAT		1	
14	TS06453013100	LEFT REAR MUD GUARD DECORATION PART		1	
15	GBT93-6-0	STANDARD SPRING WASHER		32	
16	TS12453020002	AUXILIARY CLUTCH BONNET		1	
17	TS06453012100	MIDDLE FLOOR MAT		1	
18	TS06453013300	INTO UPHOLSTERY		1	
19	TS06453013400	LEFT HOUSING		1	
20	TS06453013701	PARKING BRAKE BONNET		1	
21	TS06453013703	INSTALLATION PLATE WELDMENT		1	
22	GBT96.1-6-0	BIG WASHER		2	

## TS06453040000 UPHOLSTERY ASSEMBLY (cont'd.)

No.	Part No.	Description	Version	QTY.	Remark
23	GBT96. 1-6-0	BIG WASHER		2	
24	GBT97. 1-6-0	FLAT WASHER		28	
25	TS06453010002	CLOTHCAPHOOK		2	

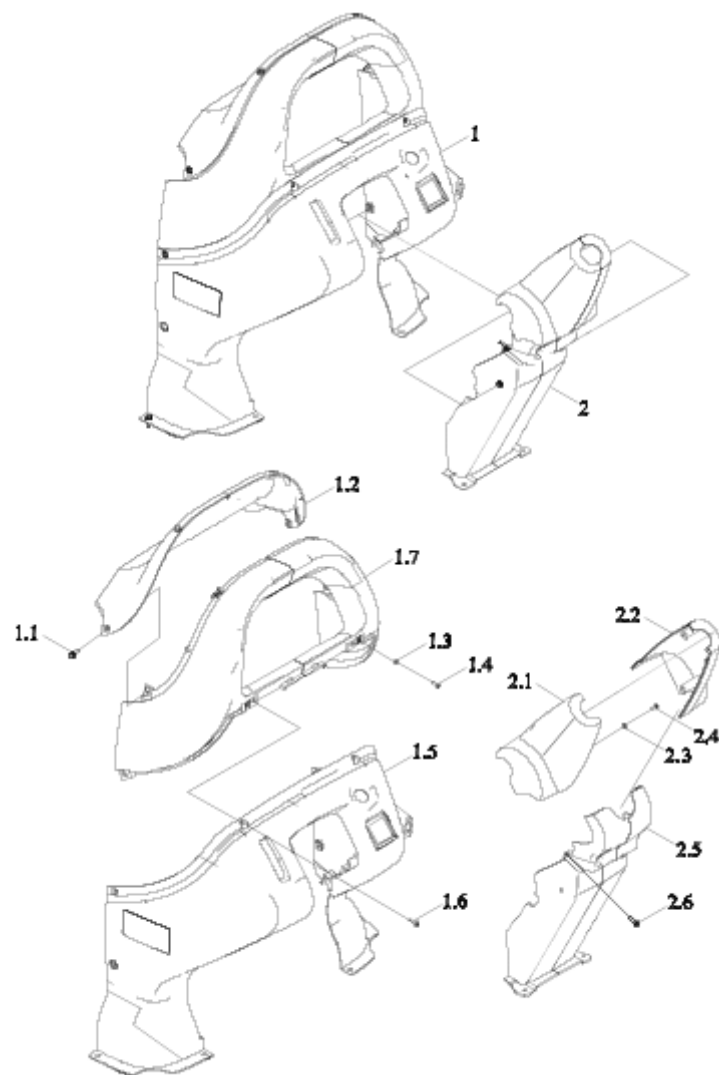
## TS06455010000 BACK REAR MUD GUARD DECORATION PART



## TS06455010000 BACK REAR MUD GUARD DECORATION PART

No.	Part No.	Description	Version	QTY.	Remark
	TS06455010000	BACK REAR MUD GUARD DECORATION PART		1	
1	TS06455012000	RIGHT REAR MUD GUARD DECORATION PART		1	
2	TS06455011000	LEFT REAR MUD GUARD DECORATION PART		1	
3	GBT96. 1-6	BIG WASHER		10	
4	GBT93-6-0	STANDARD SPRING WASHER		10	
5	GBT5783-M6X25-8. 8	HEXAGON BOLT		2	
6	GBT5783-M6X35-8. 8-A2L	HEXAGON BOLT		8	

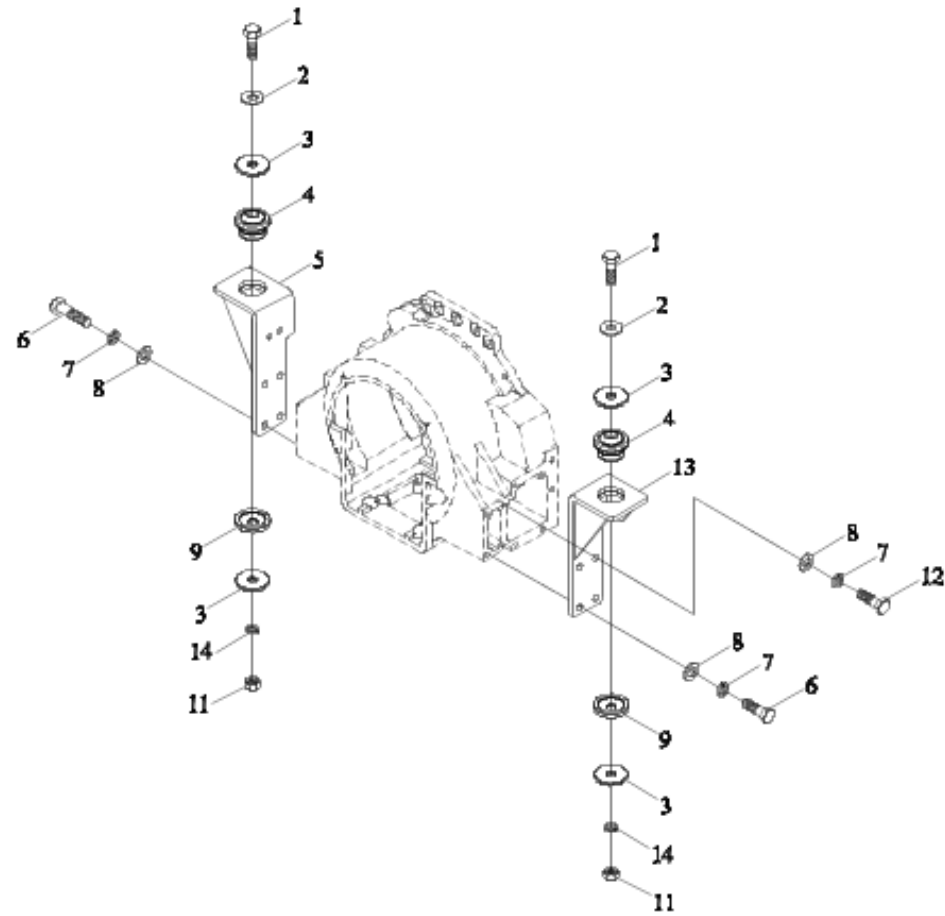
## TC03456020000 DASHBOARD ASSEMBLY



## TC03456020000 DASHBOARD ASSEMBLY

No.	Part No.	Description	Version	QTY.	Remark
	TC03456020000	DASHBOARD ASSEMBLY		1	
1	TC03456020001	DASHBOARD BOX		1	
1.1	GBT16674. 1-M6X20-8. 8-0	HEXAGON FLANGE NUT		6	
1.2	TS06456010002	UPPER COVER		1	
1.3	GBT97. 1-6-0	FLAT WASHER		4	
1.4	GBT845-ST4. 8X19	SCREW		4	
1.5	TC03456020004	LOWER COVER		1	
1.6	GBT818-M6X20-4. 8-0	CROSS SCREW		2	
1.7	TS06456010003	DASHBOARD MIDDLE COVER		1	
2	TC03456020005	STEERING GEAR HOUSING		1	
2.1	TS06456010007	STEERING GEAR LEFT COVER PLATE		1	
2.2	TS06456010008	STEERING GEAR RIGHT COVER PLATE		1	
2.3	GBT97. 1-6-0	FLAT WASHER		2	
2.4	GBT845-ST4. 8X19	SCREW		2	
2.5	TC03456020006	STEERING GEAR LOW COVER PLATE		1	
2.6	GBT16674. 1-M6X20-8. 8-0	HEXAGON FLANGE NUT		4	

## TC0545705000K FRONT CONNECTING ASSEMBLY

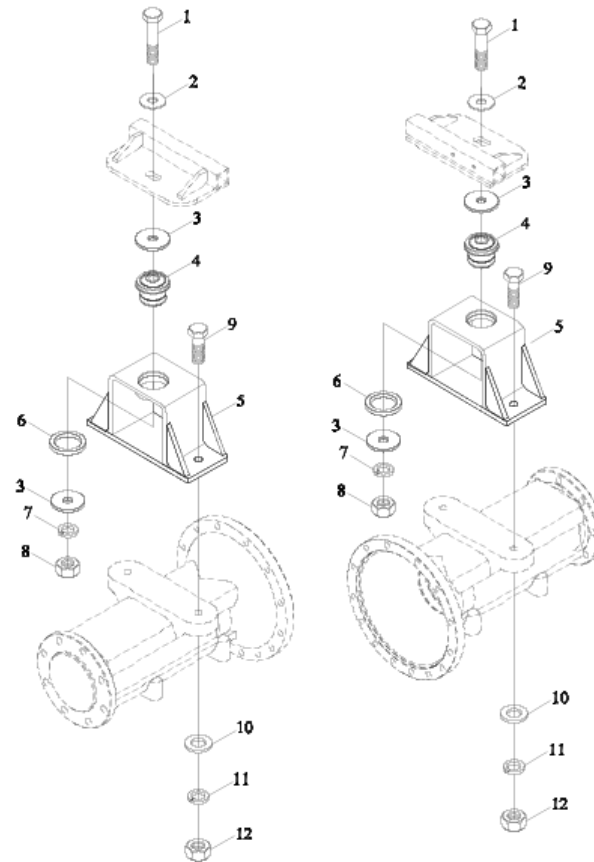


## TC05457050000K FRONT CONNECTING ASSEMBLY

No.	Part No.	Description	Version	QTY.	Remark
	TC05457050000K	FRONT CONNECTING ASSEMBLY		1	
1	GBT5782-M20X100-10.9-A3L	HEXAGON BOLT		2	
2	TS06457010011	FRONT CONNECTING WASHER		2	
3	TD800.457B.1-02	CIRCLIP		4	
4	TS06457010010	SHOCK ABSORBER		2	
5	TC05457050001K	INSTALLATION SEAT WELDMENT		1	
6	GBT5783-M16X40-10.9-A3L	HEXAGON BOLT		6	
7	GBT93-16-A3L	STANDARD SPRING WASHER		8	
8	GBT97.1-16-A3L	FLAT WASHER		8	
9	TS04457010023	RUBBER RING		2	
11	GBT6170-M20-10-A3L	HEXAGON NUT, TYPE-1		2	
12	GBT5783-M16X45-10.9-A3L	HEXAGON BOLT		2	
13	TC05457050003K	FRONT CONNECTING SEAT WELDMENT		1	
14	GBT93-20-A3L	STANDARD SPRING WASHER		2	



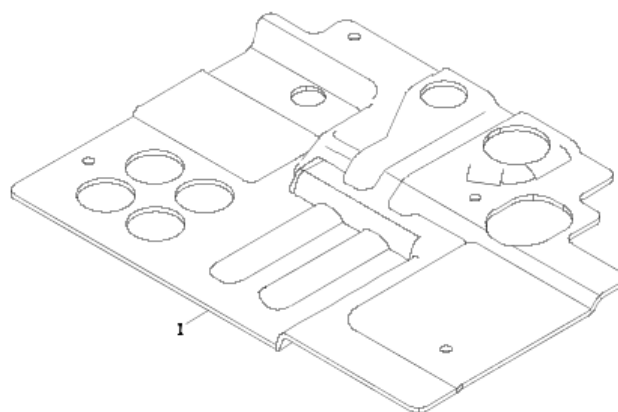
TS0645801000 REAR CONNECTING ASSEMBLY



## TS06458010000 REAR CONNECTING ASSEMBLY

No.	Part No.	Description	Version	QTY.	Remark
	TS06458010000	REARCONNECTINGASSEMBLY		1	
1	GBT5782-M20X100-10.9-A3L	HEXAGON BOLT		2	
2	TS06457010011	FRONT CONNECTING WASHER		2	
3	TD800.457B.1-02	RETAINER RING		4	
4	TS06457010010	SHOCK ABSORBER		2	
5	TS06458010002	SEAT WELDMENT		2	
6	TS04457010023	RUBBER RING		2	
7	GBT93-20-A0P	STANDARD SPRING WASHER		2	
8	GBT6170-M20-10-A3L	HEXAGON NUT, TYPE-1		2	
9	GBT5783-M16X80-10.9-A3L	HEXAGON BOLT		4	
10	GBT97.1-16-A0P	FLAT WASHER		4	
11	GBT93-16-A0P	STANDARD SPRING WASHER		4	
12	GBT6170-M16-10-A3L	HEXAGON NUT, TYPE-1		4	

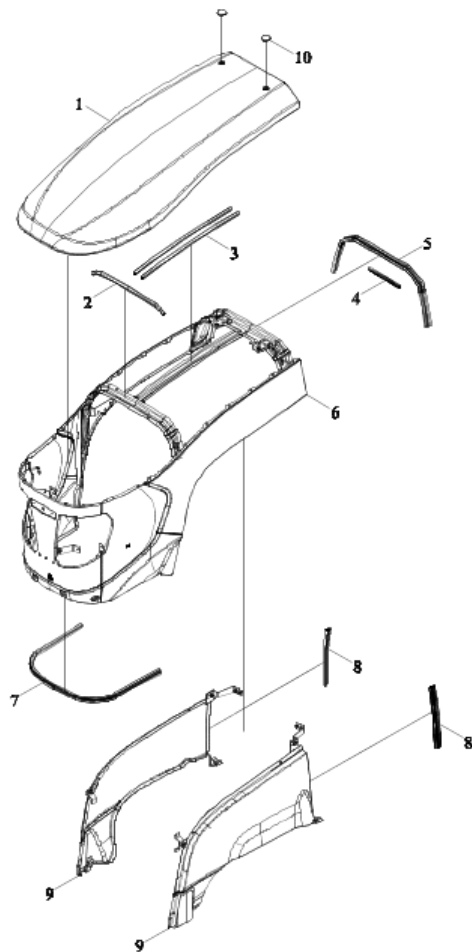
TS06459010000 INSULATION LAYER



## TS06459010000 INSULATION LAYER

No.	Part No.	Description	Version	QTY.	Remark
1	TS06459010000	INSULATION LAYER		1	
	TS06459010001	INSULATIONLAYER		1	

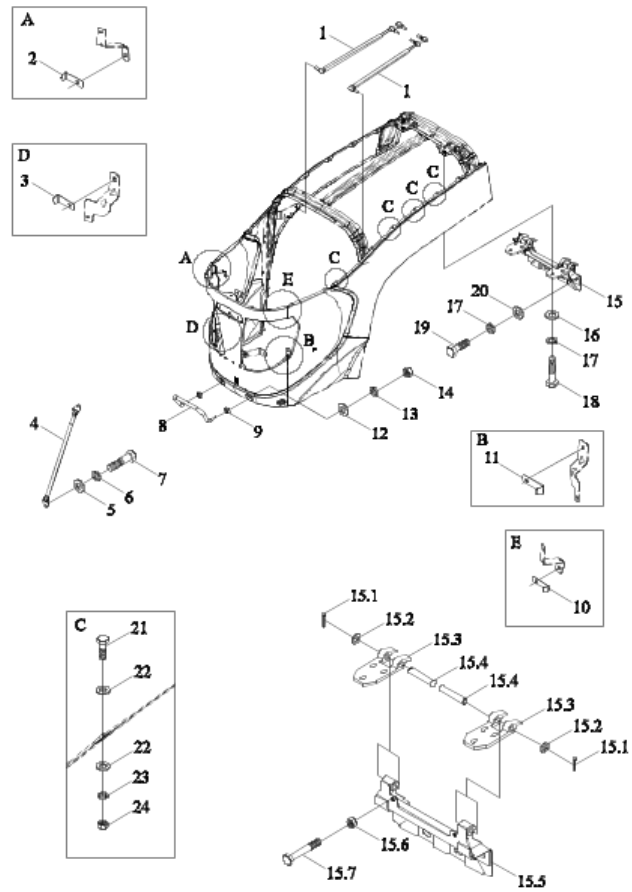
TS06471010000 BONNET ASSEMBLY-1



## TS06471010000 BONNET ASSEMBLY-1

No.	Part No.	Description	Version	QTY.	Remark
1	TS06471012001	BONNET UP COVER PLATE		1	
2	TS06471010007	FRONT SHOCK WASHER		1	
3	TS06471010004	MIDDLE SHOCK WASHER		2	
4	TS06471010008	BACK SHOCK RUBBER STRIP		1	
5	TS06471010001	BONNET REAR SEAL STRIP		1	
6	TS06471011000	BONNET WELDMENT ASSEMBLY		1	
7	TS06471010002	FRONT LOWER CUSHION RUBBER PIECE		1	
8	TS06471010006	SEAL STRIP		2	
9	TS06471014000	LOWER SIDE PLATE		1	
10	TS06471010005	RUBBERPLUG		2	

TS0647101000 BONNET ASSEMBLY-2



## TS06471010000 BONNET ASSEMBLY-2

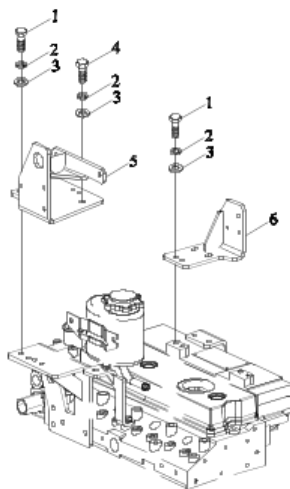
No.	Part No.	Description	Version	QTY.	Remark
1	TS06471019000	BONNET PNEUMATIC SPRING ASSEMBLY		2	
2	TS06471011040	UPPER SUPPORT PLATE		1	
3	TS06471011041	LOWER SUPPORT PLATE		1	
4	TS06471010003	BONNET PULL WIRE		1	
5	GBT97. 1-8-A0P	FLAT WASHER		1	
6	GBT93-8-A0P	STANDARD SPRING WASHER		1	
7	GBT5783-M8X20-8. 8-A2L	HEXAGON BOLT		1	
8	TS04471010003	HANDLE		1	
9	TD800. 471A-05	WASHER		2	
10	TS06471011038	SUPPORT PLATE		1	
11	TS06471011039	SUPPORT PLATE		1	
12	GBT97. 1-12-A0P	FLAT WASHER		2	
13	GBT93-12-A0P	STANDARD SPRING WASHER		6	
14	GBT6170-M12-8-A3L	HEXAGON NUT, TYPE-1		2	
15	TS06471013000	BONNET HINGE ASSEMBLY		1	
15.1	GBT91-5X32-A0P	SPLIT PIN		2	
15.2	GBT97. 1-16-A0P	FLAT WASHER		2	
15.3	FT800B. 47B. 161	HINGE UPPER SEAT		2	
15.4	GBT882-B16X90-A0P	PIN SHAFT		2	
15.5	TS06471013001	BONNET LOW BRACKET WELDMENT		1	
15.6	GBT6170-M8-8-A2L	HEXAGON NUT, TYPE-1		2	
15.7	GBT5783-M8X50-8. 8-A2L	HEXAGON BOLT		2	
16	GBT97. 1-10-A0P	FLAT WASHER		6	



## TS06471010000 BONNET ASSEMBLY-2 (cont'd.)

No.	Part No.	Description	Version	QTY.	Remark
17	GBT93-10-A0P	STANDARD SPRING WASHER		6	
18	GBT5783-M10X35-8.8-A3L	HEXAGON BOLT		6	
19	GBT5783-M12X35-8.8-A3L	HEXAGON BOLT		4	
20	GBT96.1-12-A0P	BIG WASHER		4	
21	GBT5783-M6X16-8.8-A2L	HEXAGON BOLT		21	
22	GBT97.1-6-A0P	FLAT WASHER		36	
23	GBT93-6-A0P	STANDARD SPRING WASHER		21	
24	GBT6170-M6-8-A2L	HEXAGON NUT, TYPE-1		21	

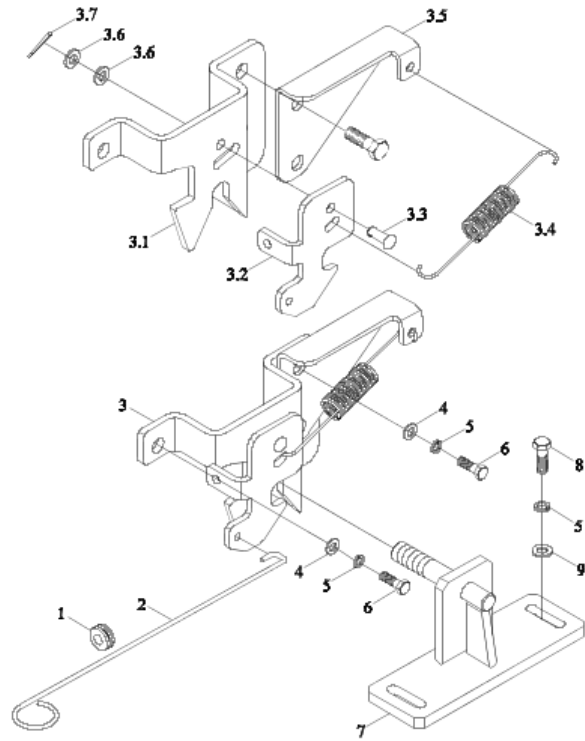
TC0547301000K BONNET PNEUMATIC SPRING BRACKET ASSEMBLY



## TC05473010000K BONNET PNEUMATIC SPRING BRACKET ASSEMBLY

No.	Part No.	Description	Version	QTY.	Remark
	TC05473010000K	BONNET PNEUMATIC SPRING BRACKET ASSEMBLY		1	
1	GBT5783-M10X25-8.8-A3L	HEXAGON BOLT		6	
2	GBT93-10-A3L	STANDARD SPRING WASHER		7	
3	GBT97.1-10-A3L	FLAT WASHER		7	
4	GBT5783-M10X35-8.8-A3L	HEXAGON BOLT		1	
5	TS06473020001	LEFT BRACKET WELDMENT		1	
6	TC05473010001K	RIGHT BRACKET WELDMENT		1	

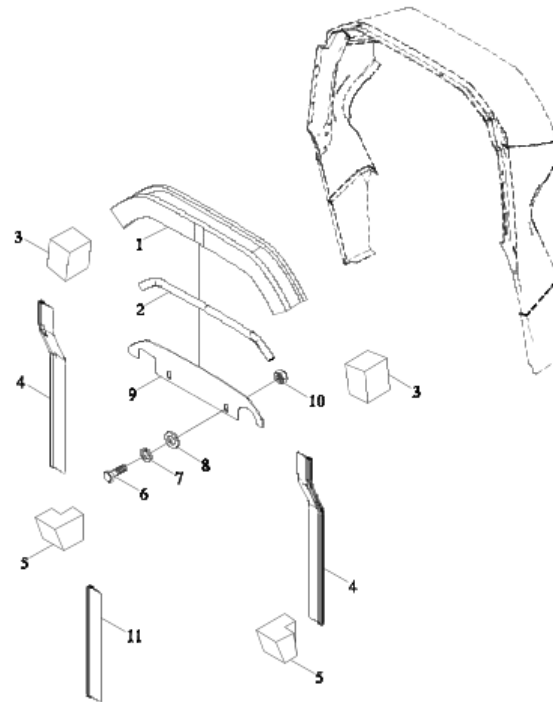
TS06473010000 BONNET LOCKING DEVICE ASSEMBLY



## TS06473010000 BONNET LOCKING DEVICE ASSEMBLY

No.	Part No.	Description	Version	QTY.	Remark
	TS06473010000	BONNET LOCKING DEVICE ASSEMBLY		1	
1	TB450.473-02	RUBBER RING		1	
2	TS06473010005	PULL ROD		1	
3	TS06473010002	BONNET LOCK		1	
3.1	TS06473010007	LOCKINGPLATE		1	
3.2	TS06473010008	LOCK HOOK		1	
3.3	GBT882-B6X16-A0P	PIN SHAFT		1	
3.4	TS06473010010	BONNET LOCK SPRING		1	
3.5	TS06473010009	SPRING FIXING PLATE		1	
3.6	GBT97.1-6-A0P	FLAT WASHER		2	
3.7	GBT91-1.6X16-A0P	SPLIT PIN		1	
4	GBT97.1-8-A0P	FLAT WASHER		3	
5	GBT93-8-A0P	STANDARD SPRING WASHER		5	
6	GBT5783-M8X25-8.8-A2L	HEXAGON BOLT		3	
7	TS06473010001	BONNET LOCK COLUMN WELDMENT		1	
8	GBT5783-M8X30-8.8-A2L	HEXAGON BOLT		2	
9	GBT96.1-8-A0P	BIG WASHER		2	

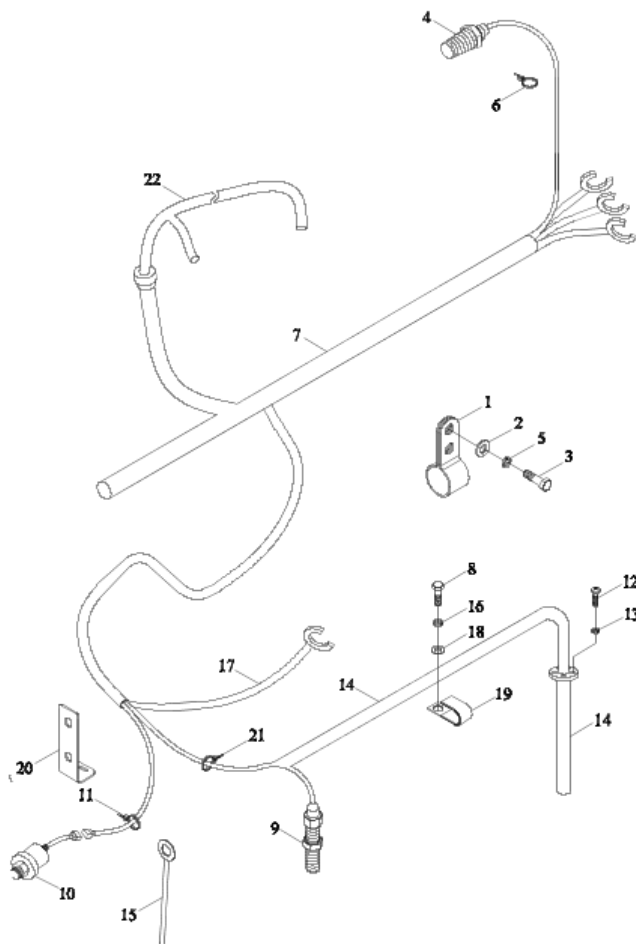
TC05475060000K BONNET SEAL INSTALLATION ASSEMBLY



## TC05475060000K BONNET SEAL INSTALLATION ASSEMBLY

No.	Part No.	Description	Version	QTY.	Remark
	TC05475060000K	BONNET SEAL INSTALLATION ASSEMBLY			
1	TS06475010002	UP SEAL COTTON		1	
2	TC05475060002K	SEAL STRIP		1	
3	TS06475010006	RIGHT SEAL COTTON		1	
4	TS06475010005	SEAL STRIP		2	
5	TS06475010001	LOWER SEAL COTTON		1	
6	GBT5783-M8X25-8.8-A2L	HEXAGON BOLT		2	
7	GBT93-8-A3L	STANDARD SPRING WASHER		2	
8	GBT97.1-8-A3L	FLAT WASHER		4	
9	TC05475060001K	SEAL SPACER PLATE		1	
10	GBT6170-M8-8-A2L	HEXAGON NUT, TYPE-1		2	
11	TC05475060003K	SEAL STRIP		1	

TS06481120000 ENGINE HARNESS INSTALLATION ASSEMBLY

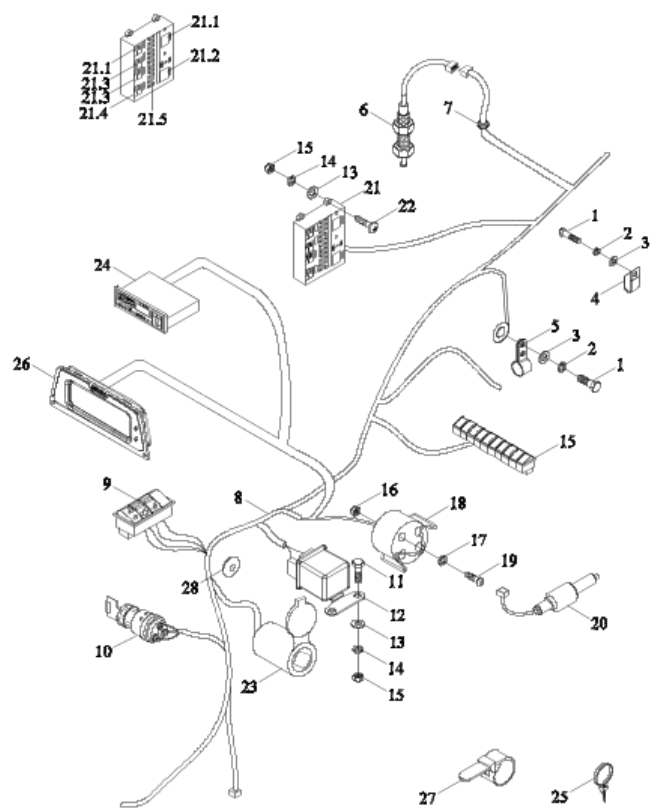




## TS06481120000 ENGINE HARNESS INSTALLATION ASSEMBLY

No.	Part No.	Description	Version	QTY.	Remark
	TS06481120000	ENGINE HARNESS INSTALLATION ASSEMBLY		1	
1	TF1204.481B-01	HARNESS TIGHTEN CLIP		3	
2	GBT97.1-10-A0P	FLAT WASHER		3	
3	GBT5783-M10X20-8.8-A3L	HEXAGON BOLT		3	
4	FT65.48.072	WATER TEMPERATURE SENSOR		1	
5	GBT93-10-A0P	STANDARD SPRING WASHER		3	
6	Q67405200	PLASTIC FASTENING STRIP		1	
7	TS06481010013	ENGINE HARNESS ASSEMBLY		1	
8	GBT5783-M8X16-8.8-A2L	HEXAGON BOLT		2	
9	TS10481010002	RPM SENSOR		1	
10	FT65.48.073a	OIL PRESSURE ALARM		1	
11	Q67405100	PLASTIC FASTENING STRIP		4	
12	GBT818-M4X10-4.8-A2L	CROSS SCREW		5	
13	GBT93-4-A0P	STANDARD SPRING WASHER		5	
14	TD800.484.2	OIL QUANTITY SENSOR		1	
15	TS04481010003	GROUNDING WIRE		1	
16	GBT93-8-A0P	STANDARD SPRING WASHER		1	
17	TS06481070004	PREHEATING PLUG TRANSITION WIRE HARNESS		1	
18	GBT97.1-8-A0P	FLAT WASHER		1	
19	FT304.48L.203	HARNESS TIGHTEN CLIP		3	
20	TS06481070003	FUSE FIXING SEAT		1	
21	Q67405400	PLASTIC FASTENING STRIP		1	
22	TS06481010011	AIR CONDITION DESICCATOR HARNESS		1	

TS0648201000K BODY HARNESS INSTALLATION ASSEMBLY



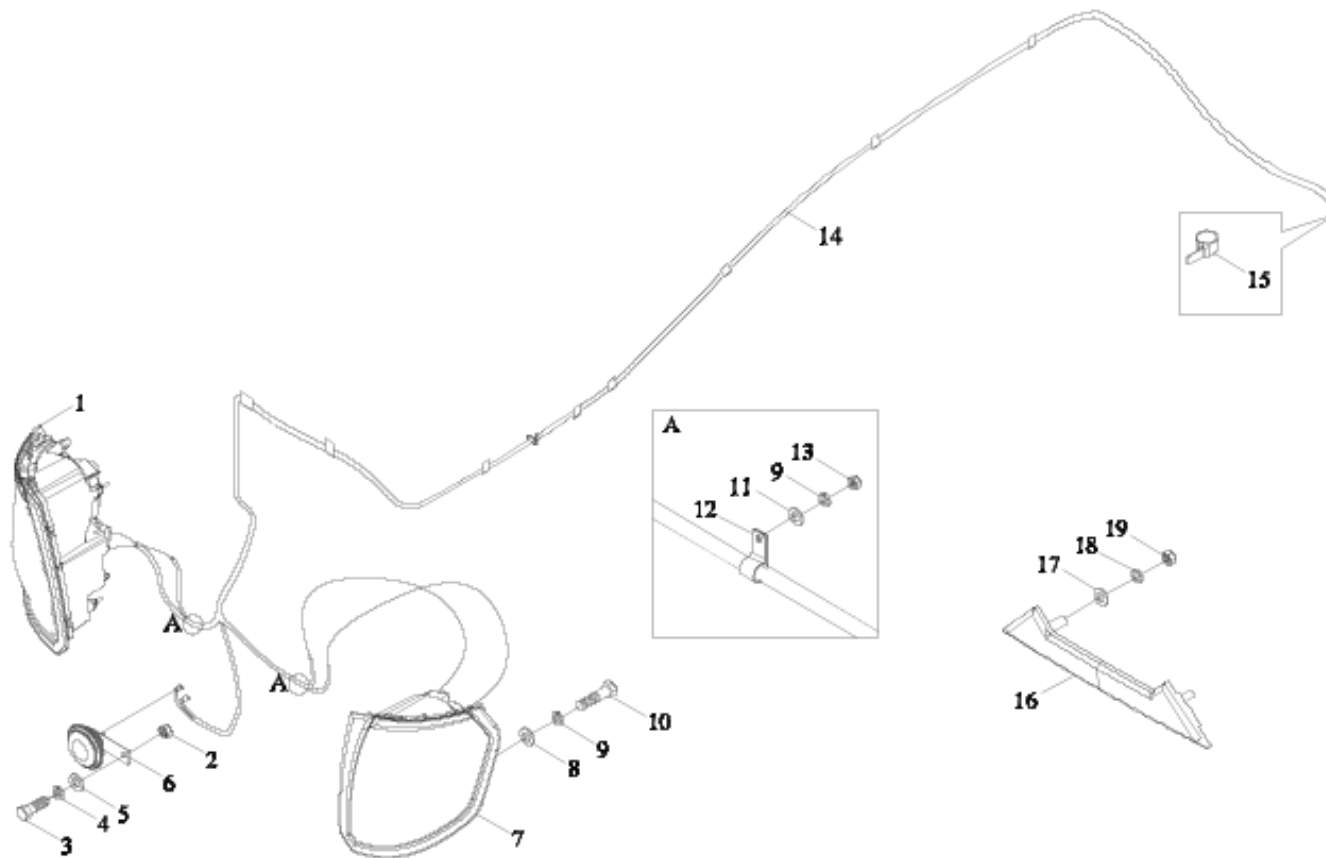
## TS06482010000K BODY HARNESS INSTALLATION ASSEMBLY

No.	Part No.	Description	Version	QTY.	Remark
	TS06482010000K	BODY HARNESS INSTALLATION ASSEMBLY		1	
1	GBT5783-M8X25-8.8-A2L	HEXAGON BOLT		5	
2	GBT93-8-A0P	STANDARD SPRING WASHER		5	
3	GBT97.1-8-A0P	FLAT WASHER		5	
4	FT65.48.095	HARNESS TIGHTEN CLIP		2	
5	TS06482010005	HARNESS TIGHTEN CLIP		3	
6	FT800A.48L.088	PARKING BRAKE SWITCH		1	
7	FT65.48.094	RUBBER RING		2	
8	TS06482010013	BODY HARNESS ASSEMBLY		1	
9	TS04482010006	TWO GANG PADDLE SWITCH		1	
10	TB550.482.3	IGNITION LOCK		1	
11	GBT5783-M6X16-8.8-A2L	HEXAGON BOLT		4	
12	FT300.48.055	STARTING RELAY		1	
13	GBT97.1-6-A0P	FLAT WASHER		8	
14	GBT93-6-A0P	STANDARD SPRING WASHER		8	
15	TS06482010002	PADDLE SWITCH		1	
16	GBT6170-M4-8-A2L	HEXAGON NUT, TYPE-1		2	
17	GBT93-4-A0P	STANDARD SPRING WASHER		2	
18	FT800.48B.068	WORKING LIGHT SOCKET		1	
19	GBT68-M4X35-4.8-A1L	SLOTTED SCREW		2	
20	TB550.484.2	BRAKE LIGHT SWITCH		2	
21	TS06482010010K	CENTRAL ELECTRICAL BOX ASSEMBLY		1	
21.1	FT300.48D.2.2.2	PREHEATING RELAY		2	

## TS06482010000K BODY HARNESS INSTALLATION ASSEMBLY (cont'd.)

No.	Part No.	Description	Version	QTY.	Remark
21.2	GE20H16Y. 34. 6-04	MAIN POWER RELAY		1	
21.3	TS06482010004	RELAY		2	
21.4	FT300. 48. 513	ELECTRIC FLASH		1	
21.5	TD9600000700	FUSE		5	
21.5	TD9600000800	FUSE		4	
21.5	TD9600000900	FUSE 20A		2	
21.5	TD9600001100	FUSE 25A		1	
21.5	TD9600000500	FUSE 5A		7	
22	GBT818-M6X25-4. 8-A2L	CROSS SCREW		4	
23	TS06482010006	ANTENNAWIRE		1	
24	TS04482010010	MP3 PLAYER		1	
25	Q67405100	PLASTIC FASTENING STRIP		2	
26	TS06482010009	WATCH		1	
27	3203505D9-L	TIE		12	
28	TS06482010011	THROUGH HARNESS WASHER		1	

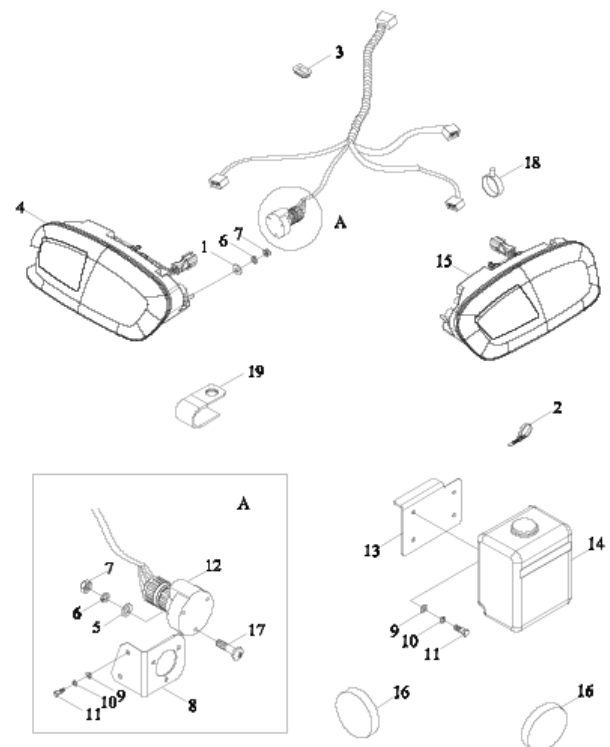
TC05483040000K FRONT LAMP HARNESS INSTALLATION ASSEMBLY



## TC0548304000K FRONT LAMP HARNESS INSTALLATION ASSEMBLY

No.	Part No.	Description	Version	QTY.	Remark
	TC0548304000K	FRONT LAMP HARNESS INSTALLATION ASSEMBLY		1	
1	TC05483040003K	RIGHT FRONT BIG LAMP ASSEMBLY		1	
2	GBT6170-M8-8-A2L	HEXAGON NUT, TYPE-1		1	
3	GBT5783-M8X16-8.8-A2L	HEXAGON BOLT		1	
4	GBT93-8-A3L	STANDARD SPRING WASHER		1	
5	GBT97.1-8-A3L	FLAT WASHER		1	
6	FT65.48.340	HORN ASSEMBLY		1	
7	TC05483040002K	LEFT FRONT BIG LAMP ASSEMBLY		1	
8	GBT97.1-6-A3L	FLAT WASHER		8	
9	GBT93-6-A3L	STANDARD SPRING WASHER		8	
10	GBT5783-M6X16-8.8-A2L	HEXAGON BOLT		4	
11	TS04483010007	WASHER		2	
12	FT65.48.095	HARNESS FIXING CLAMP		10	
13	GBT6170-M6-8-A2L	HEXAGON NUT, TYPE-1		4	
14	TC05483040001K	FRONT LAMP HARNESS ASSEMBLY		1	
15	3203505D9-L	TIE		3	
16	TS06483010004	ADORNING STRIP		1	
17	GBT97.1-5-A3L	FLAT WASHER		2	
18	GBT93-5-A3L	STANDARD SPRING WASHER		2	
19	GBT6170-M5-8-A2L	HEXAGON NUT, TYPE-1		2	

TS06484020000K REAR LAMP HARNESS INSTALLATION ASSEMBLY

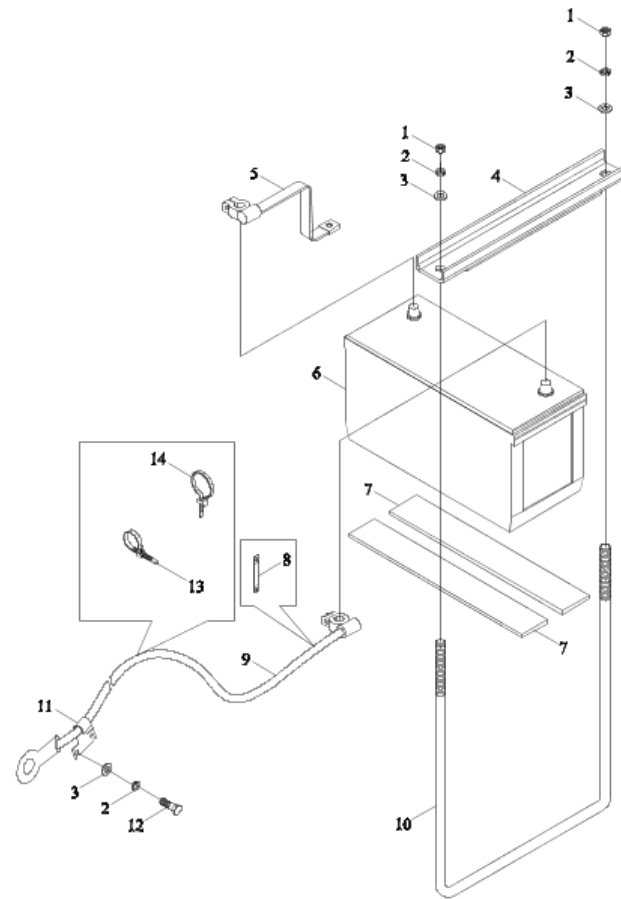


## TS0648402000K REAR LAMP HARNESS INSTALLATION ASSEMBLY

No.	Part No.	Description	Version	QTY.	Remark
	TS0648402000K	REAR LAMP HARNESS INSTALLATION ASSEMBLY			
1	GBT96. 1-5-A3L	BIG WASHER		4	
2	Q67405100	PLASTIC FASTENING STRIP		2	
3	TS04486010002	RUBBER RING		2	
4	TS06484020001K	LEFT TAIL LAMP ASSEMBLY		1	
5	GBT97. 1-5-A3L	FLAT WASHER		3	
6	GBT93-5-A3L	STANDARD SPRING WASHER		7	
7	GBT6170-M5-8-A2L	HEXAGON NUT, TYPE-1		7	
8	TS06484010013	BACK TRAILER SOCKET INSTALLATION PLATE		1	
9	GBT97. 1-6-A3L	FLAT WASHER		4	
10	GBT93-6-A3L	STANDARD SPRING WASHER		4	
11	GBT5783-M6X12-8. 8-A2L	HEXAGON BOLT		4	
12	TD900. 484. 2	REAR TRAILER SOCKET		1	
13	TS06484010012	INSTALLATION PLATE		1	
14	TS06484010011	SYRINGE ASSEMBLY		1	
15	TS06484020002K	RIGHT TAIL LAMP		1	
16	TS06484020003K	REFLECTOR		2	
17	GBT819. 1-M5X35-4. 8-A1L	CROSS SCREW		3	
18	3203505D9-L	TIE		1	
19	FT65. 48. 095	HARNESS FIXING CLAMP		1	



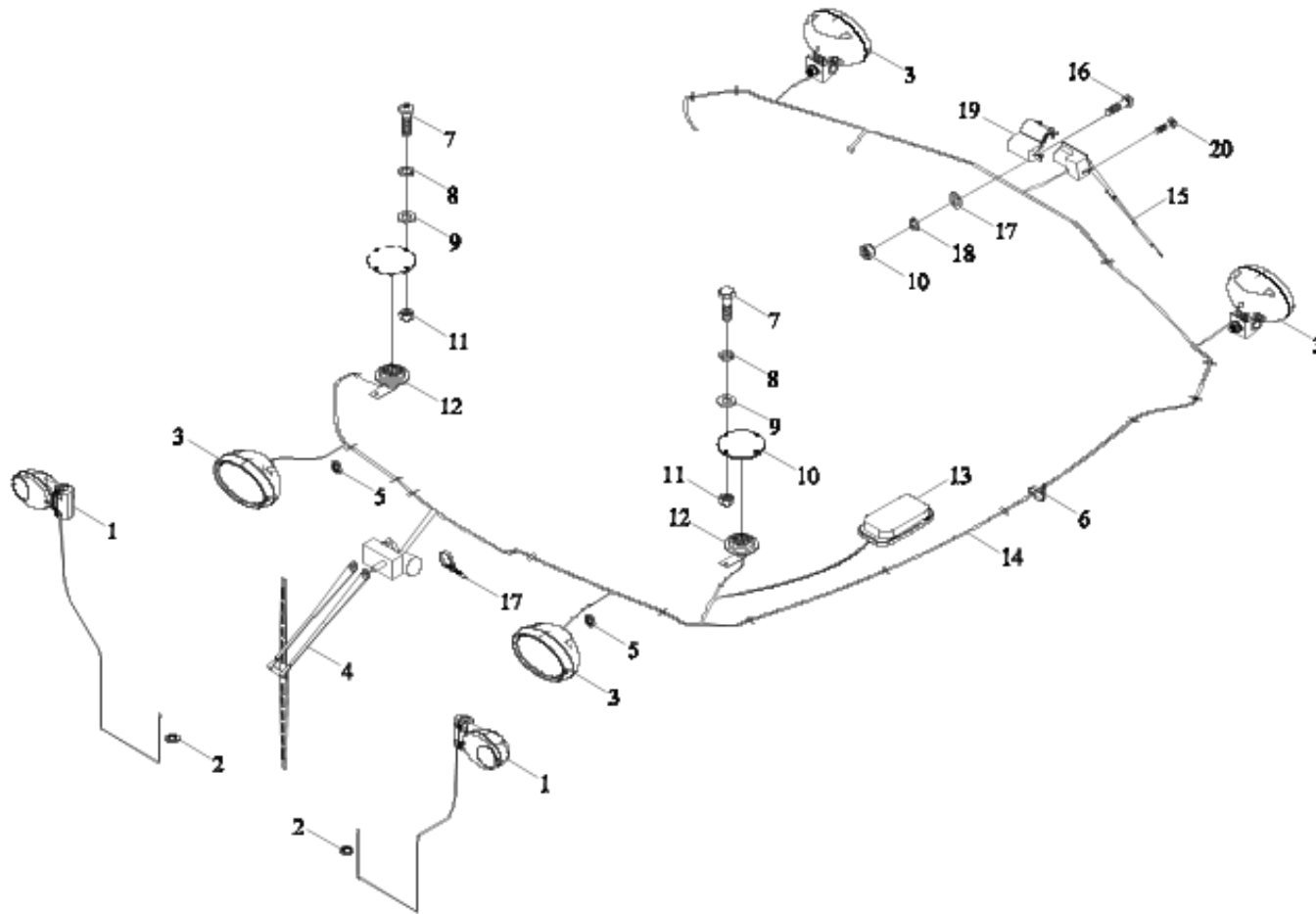
### TC05485050000K BATTERY INSTALLATION ASSEMBLY



## TC05485050000K BATTERY INSTALLATION ASSEMBLY

No.	Part No.	Description	Version	QTY.	Remark
	TC05485050000K	BATTERY INSTALLATION ASSEMBLY		1	
1	GBT6170-M8-8-A2L	HEXAGON NUT, TYPE-1		6	
2	GBT93-8-A3L	STANDARD SPRING WASHER		4	
3	GBT97.1-8-A3L	FLAT WASHER		4	
4	TC05485050002K	BATTERY PRESS PLATE		1	
5	FT65.48.091	BATTERY GROUNDING WIRE		1	
6	TF1204.485A.1	BATTERY ASSEMBLY		1	
7	TB450.485.1	BATTERY SHOCK ABSORPTION MAT		2	
8	TD800.485A-03	LOCKING CLAMP		1	
9	FT65.48.090a	BATTERY POWER WIRE		1	
10	TC05485050001K	PULL ROD		1	
11	FT65.48.112	POWER WIRE FIXING PLATE		1	
12	GBT5783-M8X30-8.8-A2L	HEXAGON BOLT		2	
13	TC05485010010	RIBBON		1	
14	Q67405200	PLASTIC FASTENING STRIP		2	

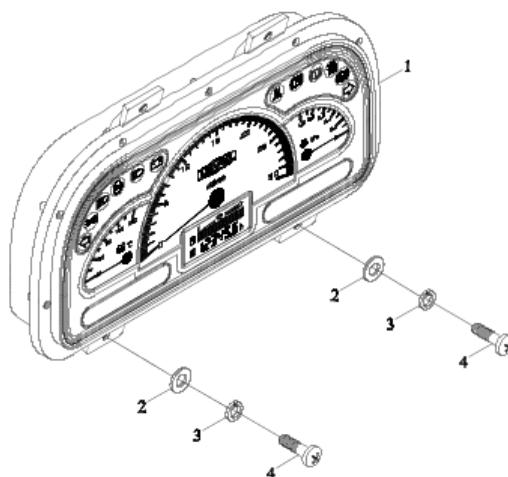
TS06486010000K TOP LIGHT HARNESS INSTALLATION ASSEMBLY



## TS0648601000K TOP LIGHT HARNESS INSTALLATION ASSEMBLY

No.	Part No.	Description	Version	QTY.	Remark
	TS0648601000K	TOP LIGHT HARNESS INSTALLATION ASSEMBLY		1	
1	TS06486010001K	RIGHT ARMREST LIGHT ASSEMBLY		2	
2	FT65. 48. 094	RUBBER RING		2	
3	TS06486010003	TOP LIGHT ASSEMBLY		4	
4	TS06486010005	FRONT SCRAPER ASSEMBLY		1	
5	FT65. 48. 093	RUBBER RING-1		4	
6	3203505D9-L	TIE		16	
7	GBT818-M4X16-4. 8-A2L	CROSS SCREW		8	
8	GBT93-4-A3L	STANDARD SPRING WASHER		8	
9	GBT97. 1-4-A3L	FLAT WASHER		8	
10	GBT6170-M5-8-A2L	HEXAGON NUT, TYPE-1		2	
11	GBT6170-M4-8-A2L	HEXAGON NUT, TYPE-1		8	
12	TS04486010003	LOUDHAILER ASSEMBLY		2	
13	TS06486010006	INNER TOP LIGHT ASSEMBLY		1	
14	TS06486010001	TOP LIGHT HARNESS ASSEMBLY		1	
15	TS06486010008	REAR SCRAPER ASSEMBLY		1	
16	GBT818-M5X16-4. 8-A2L	CROSS SCREW		2	
17	GBT97. 1-5-A3L	FLAT WASHER		4	
18	GBT93-5-A3L	STANDARD SPRING WASHER		4	
19	TS04486010008	BONNET COVER		1	
20	GBT845-ST4. 8X19	SCREW		4	

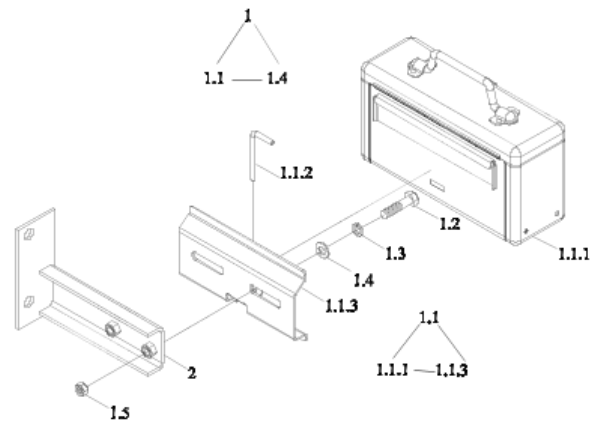
TS06487010000 COMBINED INSTRUMENT ASSEMBLY



## TS06487010000 COMBINED INSTRUMENT ASSEMBLY

No.	Part No.	Description	Version	QTY.	Remark
	TS06487010000	COMBINED INSTRUMENT ASSEMBLY		1	
1	TS06487010001	COMBINED INSTRUMENT ASSEMBLY		1	
2	GBT96. 1-6-A0P	BIG WASHER		4	
3	GBT93-6-A0P	STANDARD SPRING WASHER		4	
4	GBT818-M6X16-4. 8-A2L	CROSS SCREW		4	

TS06049020000 TOOL BOX INSTALLATION ASSEMBLY

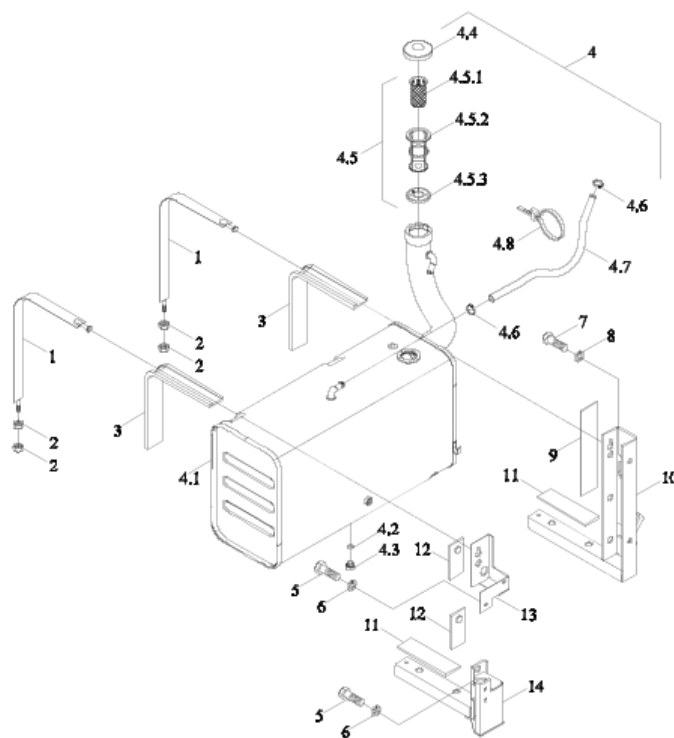


## TS06049020000 TOOL BOX INSTALLATION ASSEMBLY

No.	Part No.	Description	Version	QTY.	Remark
	TS06049020000	TOOL BOX INSTALLATION ASSEMBLY		1	
1	FT300.49.001	TOOL BOX ASSEMBLY		1	
1.1	TB400.49.1	TOOL ASSEMBLY		1	
1.1.1	TB400.49.1.1	TOOL ASSEMBLY		1	
1.1.2	FT65.49.102	CROSS PIN		1	
1.1.3	FT65.49.103	FIXING SUPPORT PLATE		1	
1.2	GBT5783-M12X35-8.8-A3L	HEXAGON BOLT		2	
1.3	GBT93-12-A0P	STANDARD SPRING WASHER		2	
1.4	GBT97.1-12-A0P	FLAT WASHER		2	
1.5	GBT6170-M12-8-A3L	HEXAGON NUT, TYPE-1		2	
2	TS06049020001	TOOLS BOX BRACKET WELDMENT		1	



TS06501020000 MAIN OIL TANK INSTALLATION ASSEMBLY



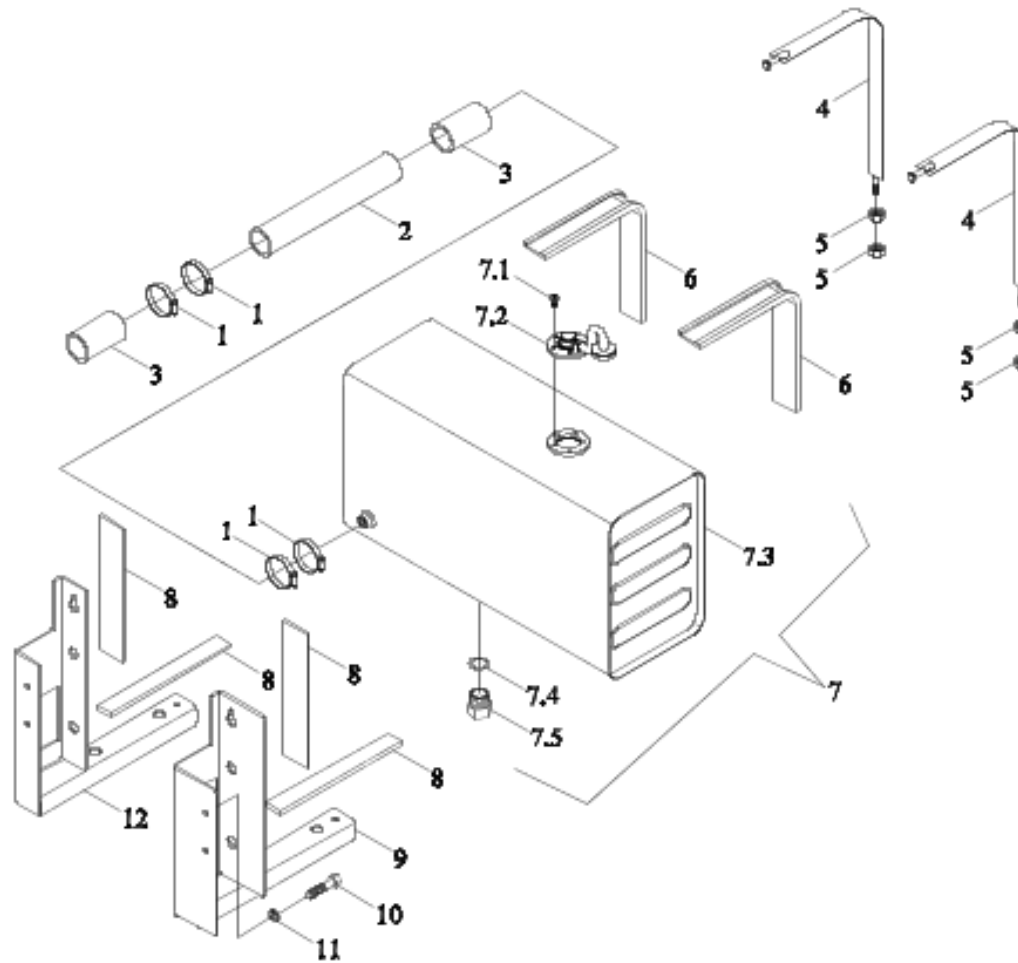
## TS06501020000 MAIN OIL TANK INSTALLATION ASSEMBLY

No.	Part No.	Description	Version	QTY.	Remark
	TS06501020000	MAIN OIL TANK INSTALLATION ASSEMBLY		1	
1	TS06501020013	MAIN OIL TANK BELT WELDMENT		2	
2	GBT6170-M10-10-A3L	HEXAGON NUT, TYPE-1		4	
3	FT800A. 50. 209	MAIN OIL TANK BELT RUBBER STRIP		2	
4	TS06501020001	MAIN OIL TANK ASSEMBLY		1	
4.1	TS06501020002	MAIN OIL TANK WELDMENT		1	
4.2	TS09580010005	O-RING 13. 3X2. 2-M16X1. 5		1	
4.3	FT65. 50. 226	OIL DISCHARGING SCREW PLUG		1	
4.4	TD800. 501A. 1. 1	OIL TANK COVER		1	
4.5	FT300. 50. 015	FILTER MESH ASSEMBLY		1	
4.5.1	FT300. 50. 152	FILTER MESH		1	
4.5.2	FT300. 50. 151	FILTER MESH FRAMEWORK		1	
4.5.3	FT300. 50. 153	FILTER MESH		1	
4.6	Q67627	B-TYPE WORM TRANSMISSION HOSE CLAMP		2	
4.7	TD800. 501A. 1-01	BREATH RUBBER PIPE		1	
4.8	Q67405300	PLASTIC FASTENING STRIP		3	
5	GBT5783-M10X20-8. 8-A3L	HEXAGON BOLT		4	
6	GBT93-10-A0P	WASHER		4	
7	GBT5783-M16X30-8. 8-A3L	HEXAGON BOLT		2	
8	GBT93-16-A0P	WASHER		2	
9	FT800A. 50. 207	WASHER		1	
10	TS06501020004	MAIN OIL TANK FRONT BRACKET WELDMENT		1	
11	TD800. 502-01	OIL TANK RUBBER WASHER		2	

## TS06501020000 MAIN OIL TANK INSTALLATION ASSEMBLY (cont'd.)

No.	Part No.	Description	Version	QTY.	Remark
12	TD800.501-05	OIL TANK SHORT RUBBER GASKET		2	
13	TS06501020007	UPPER BRACKET WELDMENT		1	
14	TS06501020010	LOWER BRACKET WELDMENT		1	

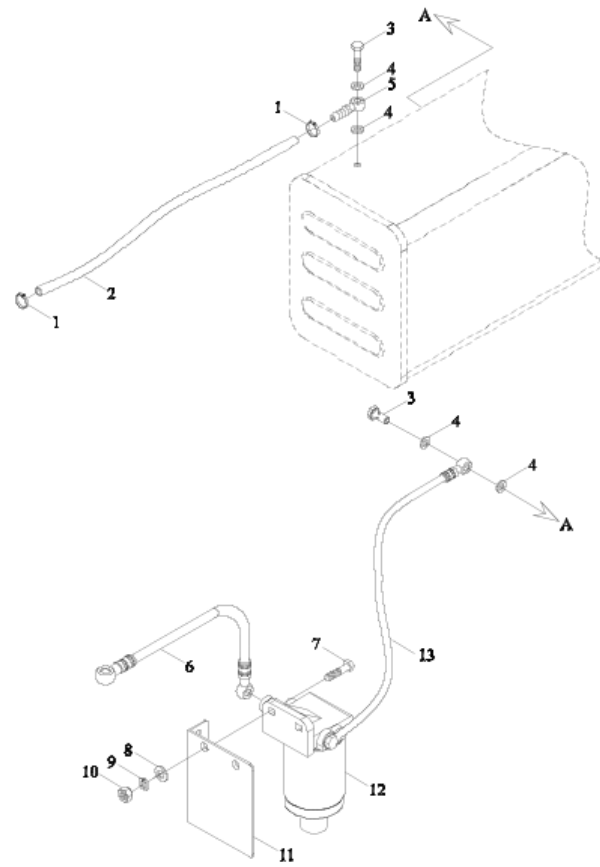
## TS06502020000 AUXILIARY OIL TANK INSTALLATION ASSEMBLY



## TS06502020000 AUXILIARY OIL TANK INSTALLATION ASSEMBLY

No.	Part No.	Description	Version	QTY.	Remark
	TS06502020000	AUXILIARY OIL TANK INSTALLATION ASSEMBLY		1	
1	Q67645	B-TYPE WORM TRANSMISSION HOSE CLAMP		4	
2	TD800. 502-03a	MAIN/ASSISTANT OIL TANK CONNECTING PIPE		1	
3	TD800. 502-05	RUBBER CONNECTING PIPE		2	
4	TD800. 502. 3	AUXILIARY OIL TANK FASTENING TIE WELDMENT		2	
5	GBT6170-M10-8-A3L	HEXAGON NUT, TYPE-1		4	
6	TD800. 502-02	AUXILIARY OIL TANK FASTENING TIE RUBBER STRIP		2	
7	TS06502020005	AUXILIARY OIL TANK ASSEMBLY		1	
7.1	GBT818-M5X10-4. 8-A2L	CROSS SCREW		5	
7.2	TS04501010006	BREATH ASSEMBLY		1	
7.3	TS06502020001	AUXILIARY OIL TANK WELDMENT		1	
7.4	TS09580010009	O-RING 23. 6X2. 9-M27X2		1	
7.5	FT65. 50. 226	OIL DISCHARGING SCREW PLUG		1	
8	TD800. 502-01	OIL TANK RUBBER WASHER		4	
9	TS06502020003	AUXILIARY OIL BANK BACK BRACKET WELDMENT		1	
10	GBT5783-M10X20-8. 8-A3L	HEXAGON BOLT		4	
11	GBT93-10-A0P	STANDARD SPRING WASHER		4	
12	TD800. 502. 2	AUXILIARY OIL TANK BRACKET WELDMENT		1	

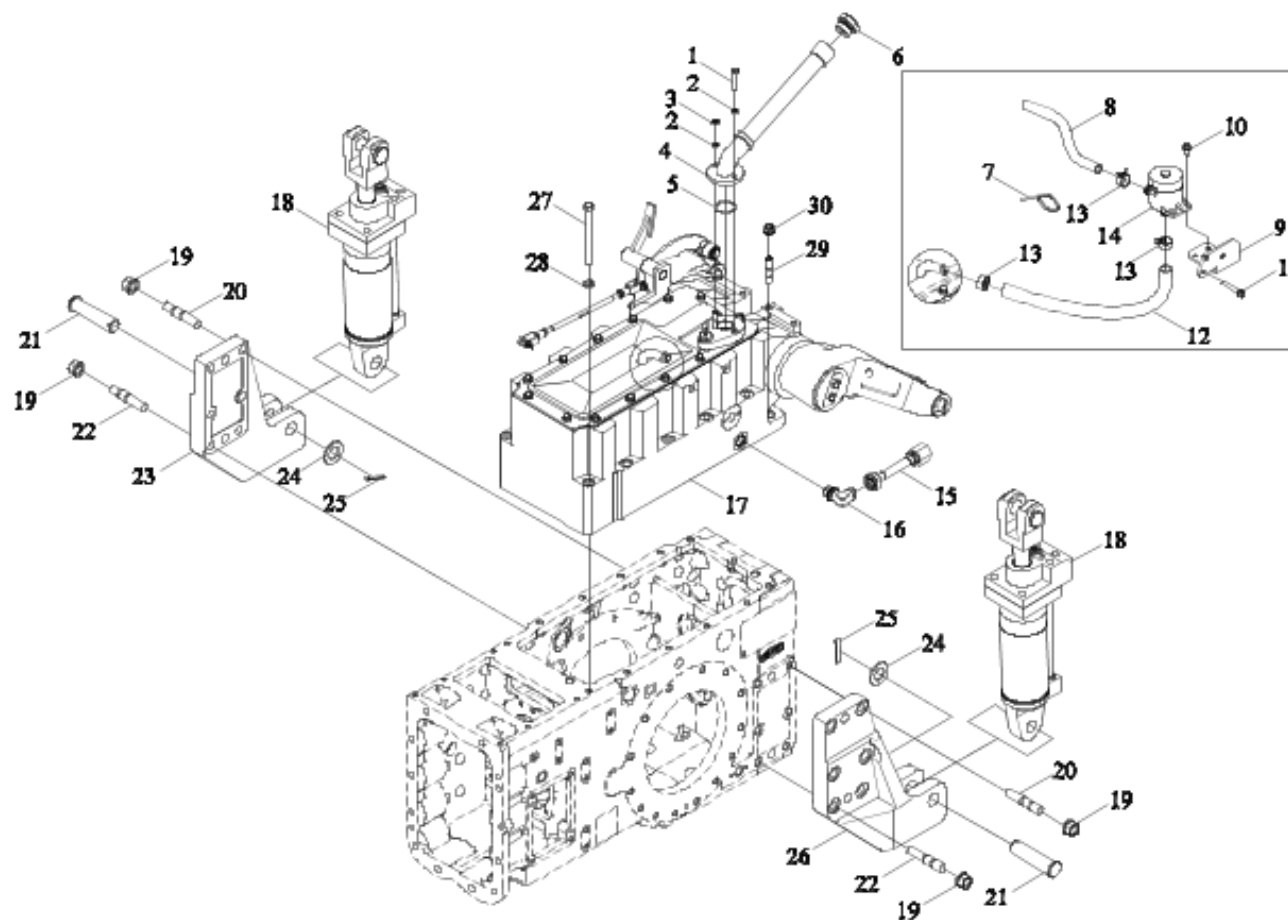
TD800. 503C OIL INLET/OUTLET PIPE ASSEMBLY



## TD800. 503C OIL INLET/OUTLET PIPE ASSEMBLY

No.	Part No.	Description	Version	QTY.	Remark
	TD800. 503C	OIL INLET/OUTLET PIPE ASSEMBLY		1	
1	Q67627	B-TYPE WORM TRANSMISSION HOSE CLAMP		2	
2	FT700. 50G. 121	OIL RETURN PIPE		1	
3	FT65. 50. 106	HOLLOW BOLT		2	
4	JBT982-14	COMBINED SEAL GASKET		4	
5	FT800A. 50. 162	OIL PIPE JOINT		1	
6	TD800. 503C. 1	OIL CONVEYING PIPE ASSEMBLY		1	
7	GBT5783-M8X30-8. 8-A2L	HEXAGON BOLT		2	
8	GBT97. 1-8-A0P	FLAT WASHER		2	
9	GBT93-8-A0P	STANDARD SPRING WASHER		2	
10	GBT6170-M8-8-A2L	HEXAGON NUT, TYPE-1		2	
11	TD800. 503A-01	INSTALLATION BRACKET		1	
12	FT800A. 50. 061a	FUEL FILTER ASSEMBLY		1	
13	TD800. 503J. 1	OIL CONVEYING PIPE ASSEMBLY		1	

TS06551080000 LIFTER INSTALLATION ASSEMBLY-1





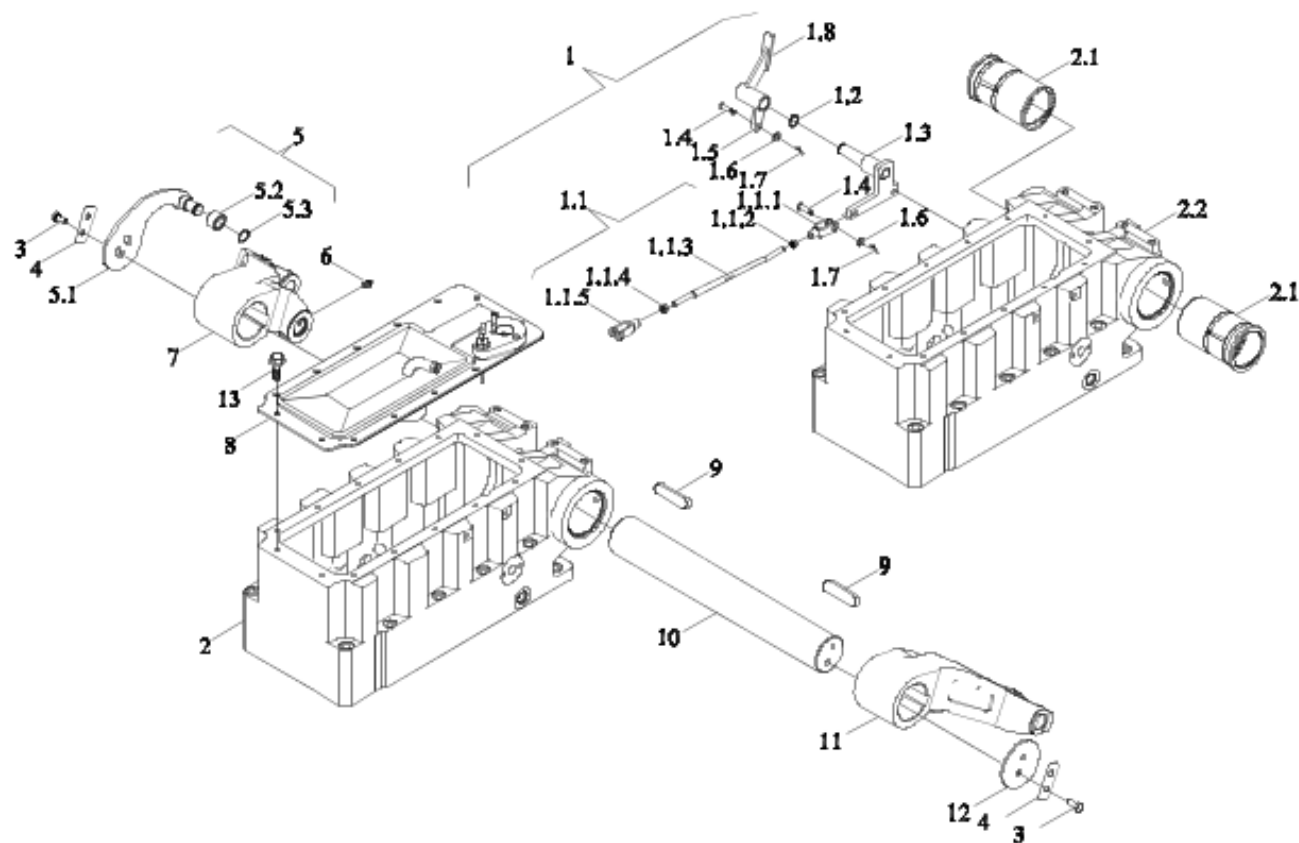
## TS06551080000 LIFTER INSTALLATION ASSEMBLY-1

No.	Part No.	Description	Version	QTY.	Remark
	TS06551080000	LIFTER INSTALLATION ASSEMBLY		1	
1	GBT5783-M8X45-8. 8-A2L	HEXAGON BOLT		1	
2	GBT93-8-A3L	STANDARD SPRING WASHER		2	
3	GBT6170-M8-8-A2L	HEXAGON NUT, TYPE-1		1	
4	TS06551080024	FILLING CAP WELDMENT		1	
5	GBT3452. 1-36. 5X2. 65G	RUBBER O-SEAL RING		1	
6	TC02551010005	SCREW PLUG M33		1	
7	Q67405200	PLASTIC FASTENING STRIP		1	
8	TS06551080027	CONNECTING PIPE		1	
9	TS06551080025	BREATHER BRACKET		1	
10	GBT16674. 1-M8X16-8. 8-A2L	HEXAGON FLANGE NUT		2	
11	GBT16674. 1-M8X50-8. 8-A2L	HEXAGON FLANGE NUT		2	
12	TS06551080026	BREATHER RUBBER PIPE		1	
13	Q673B24	STEEL STRIP ELASTIC HOOP		3	
14	HF2902. 50. 3. 12	HYDRAULIC OIL TANK BREATHER		1	
15	TC03551210009a	OIL DISCHARGING PIPE WELDMENT		1	
16	TC04582390032	ADJUSTABLE JOINT		1	
17	TS06551080001	LIFTER ASSEMBLY		1	
18	TS06551080023	LIFTING CYLINDER ASSEMBLY		2	
19	SPL-CO-M18-F3	HEXAGON NUT		12	
20	GBT899-GM18-M18X55-10. 9-A3L	DOUBLE END STUDS		4	
21	FT800. 55A. 116	PIN SHAFT		2	
22	GBT899-GM18-M18X65-10. 9-A3L	DOUBLE END STUDS		8	

## TS06551080000 LIFTER INSTALLATION ASSEMBLY-1 (cont'd.)

No.	Part No.	Description	Version	QTY.	Remark
23	FT800.55A.114c	RIGHT OIL CYLINDER BRACKET		1	
24	FT800.55A.105	WASHER		2	
25	GBT91-6.3X40-A3L	SPLIT PIN		2	
26	FT800.55A.104c	LEFT OIL CYLINDER BRACKET		1	
27	TD800.55-02	HEXAGON BOLT		10	
28	TB404.312B-01	WASHER		10	
29	GBT899-GM12-M12X40-10.9-A3L	DOUBLE END STUDS		3	
30	SPL-C0-M12-10-F3	HEXAGON NUT		3	

## TS06551080000 LIFTER INSTALLATION ASSEMBLY-2



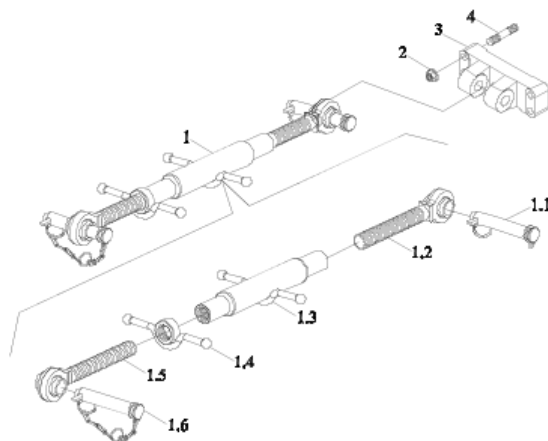
## TS06551080000 LIFTER INSTALLATION ASSEMBLY-2

No.	Part No.	Description	Version	QTY.	Remark
	TS06551080000	LIFTER INSTALLATION ASSEMBLY		1	
1	TS06551080012	FEEDBACK MECHANISM ASSEMBLY		1	
1.1	TS06551080021	ADJUSTING ROD		1	
1.1.1	TD800.55.2.2-03	LEFT REVOLVING PULL ROD FORK		1	
1.1.2	GBT6170-M8-LH-8-A2L	HEXAGON NUT, TYPE-1		1	
1.1.3	TS06551080022	ADJUSTING ROD		1	
1.1.4	GBT6170-M8-8-A2L	HEXAGON NUT, TYPE-1		1	
1.1.5	TD800.55.2.2-01	RIGHT REVOLVING PULL ROD FORK		1	
1.2	GBT894.1-20	CIRCLIP FOR SHAFT		1	
1.3	TS06551080013	SUPPORT SHAFT WELDMENT		1	
1.4	GBT882-B8X30-A3L	PIN SHAFT		2	
1.5	TS06551080016	FEEDBACK PLATE		1	
1.6	GBT97.1-8-A3L	FLAT WASHER		2	
1.7	GBT91-3.2X16-A3L	SPLIT PIN		2	
2	TS06551080002	LIFTER HOUSING ASSEMBLY		1	
2.1	FT800.55A.111	COPPER SHAFT SLEEVE		2	
2.2	TS06551080003	LIFTER HOUSING		1	
3	GBT5783-M10X20-8.8-A3L	HEXAGON BOLT		4	
4	FT800.55A.112	THRUST WASHER		2	
5	TS06551080010	FEEDBACK ARM ASSEMBLY		1	
5.1	TS06551080011	FEEDBACK ARM WELDMENT		1	
5.2	TD800.55.1-01	ROLLING WHEEL		1	
5.3	GBT894.1-20	CIRCLIP FOR SHAFT		1	

## TS06551080000 LIFTER INSTALLATION ASSEMBLY-2 (cont'd.)

No.	Part No.	Description	Version	QTY.	Remark
6	JBT7940.1-M10X1	STRAIGHT FORCED FILLING OIL CUP		2	
7	TD800.55.5	RIGHT LIFTING ARM PRESSURE UNIT		1	
8	TS06551080004	UPPER COVER PLATE		1	
9	GBT1096-20X12X80	FLAT KEY		2	
10	FT800.55A.107	LIFTING SHAFT		1	
11	TD800.55.4	LEFT LIFTING ARM PRESSURE UNIT		1	
12	FT800.55A.115	LIFTING ARM PRESSURE PLATE		1	
13	GBT5789-M8X20-8.8-A2L	HEXAGON FLANGE NUT		15	

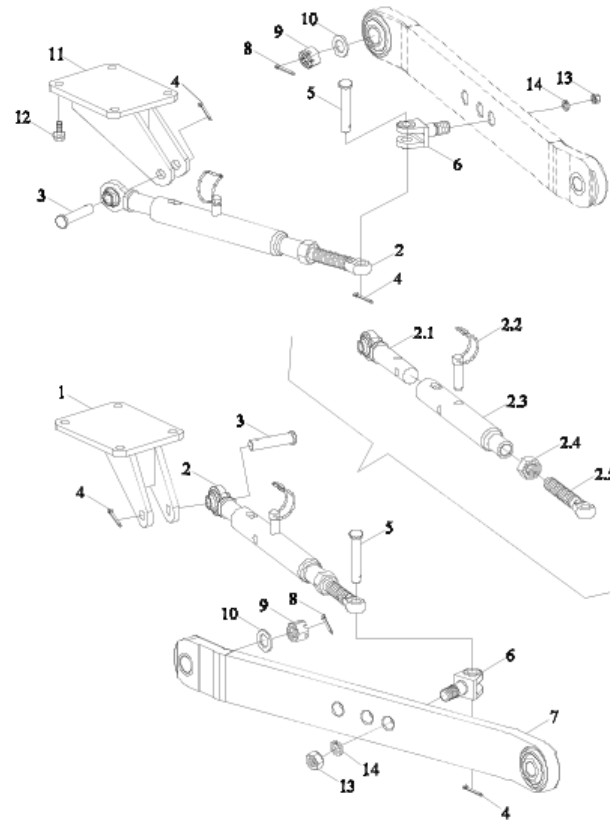
FT800. 56A. 001 SUSPENSION ASSEMBLY-1



## FT800. 56A. 001 SUSPENSION ASSEMBLY-1

No.	Part No.	Description	Version	QTY.	Remark
	FT800. 56A. 001	SUSPENSION ASSEMBLY		1	
1	FT800. 56A. 017	UPPER PULL ROD ASSEMBLY		1	
1.1	TD800. 56A. 1. 1	UPPER PULL ROD FRONT CONNECTING PIN ASSEMBLY		1	
1.2	FT800. 56. 025	UPPER PULL ROD FRONT ADJUSTING SCREW EXTRU-SION ASSEMBLY		1	
1.3	FT800. 56. 024	ADJUSTING SCREW HANDLE WELDMENT ASSEMBLY		1	
1.4	FT800. 56. 029	UPPER PULL ROD LOCKING NUT ASSEMBLY		1	
1.5	FT800. 56. 023	UPPER PULL ROD REAR ADJUSTING SCREW EXTRU-SION ASSEMBLY		1	
1.6	FT800. 56. 027	UPPER PULL ROD PIN AND LOCK PIN ASSEMBLY		1	
2	SPL-CO-M16-F3	HEXAGON NUT		10	
3	FT800. 56A. 101a	UPPER PULL ROD SUPPORT SEAT		1	
4	GBT899-GM16-M16X95-10. 9-A3L	DOUBLE END STUDS		6	

FT800. 56A. 001 SUSPENSION ASSEMBLY-2

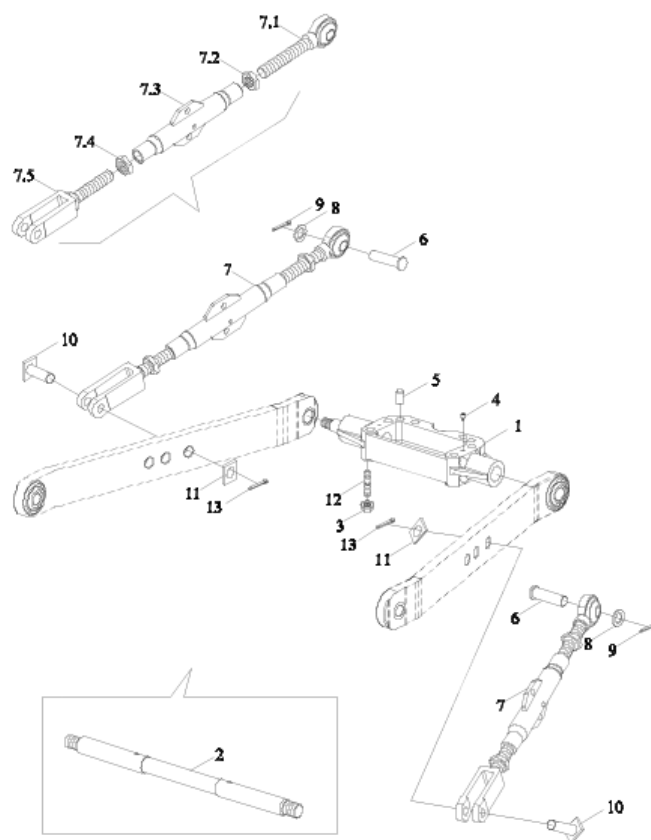




## FT800. 56A. 001 SUSPENSION ASSEMBLY-2

No.	Part No.	Description	Version	QTY.	Remark
	FT800. 56A. 001	SUSPENSION ASSEMBLY		1	
1	FT800. 56. 026	RIGHT LIMITING ROD CONNECTING FORK WELD ASSEMBLY		1	
2	FT800. 56. 011a	LIMIT ROD ASSEMBLY		2	
2.1	FT800. 56. 018	LIMIT ROD RIVET ASSEMBLY		1	
2.2	FT800. 56. 019	LIMIT ROD LOCK PIN ASSEMBLY		1	
2.3	FT800. 56. 036	LIMIT ROD GUIDE PIPE WELDMENT		1	
2.4	FT800. 56. 264	TRAPEZOIDAL NUT		1	
2.5	FT800. 56. 107	ADJUSTING SCREW		1	
3	FT800. 56. 101	PIN SHAFT		2	
4	GBT91-4X50-A0P	SPLIT PIN		6	
5	FT800. 56. 103	PIN SHAFT		2	
6	FT800. 56. 104	LIMIT ROD BOLT		2	
7	FT800. 56A. 012a	LOWER PULL ROD ASSEMBLY		2	
8	GBT91-5X40-A0P	SPLIT PIN		2	
9	GBT9459-M24X2-04-A3L	HEXAGON THIN SLOTTED NUT		2	
10	GBT95-24-A0P	FLAT WASHER		2	
11	FT800. 56. 014	LEFT LIMITING ROD CONNECTING FORK WELD ASSEMBLY		1	
12	GBT16674. 1-M16X35-10. 9-A3L	HEXAGON FLANGE NUT		8	
13	GBT6171-M24X2-8-A3L	HEXAGON NUT, TYPE-1		2	
14	GBT93-24-A0P	ELASTIC WASHER		2	

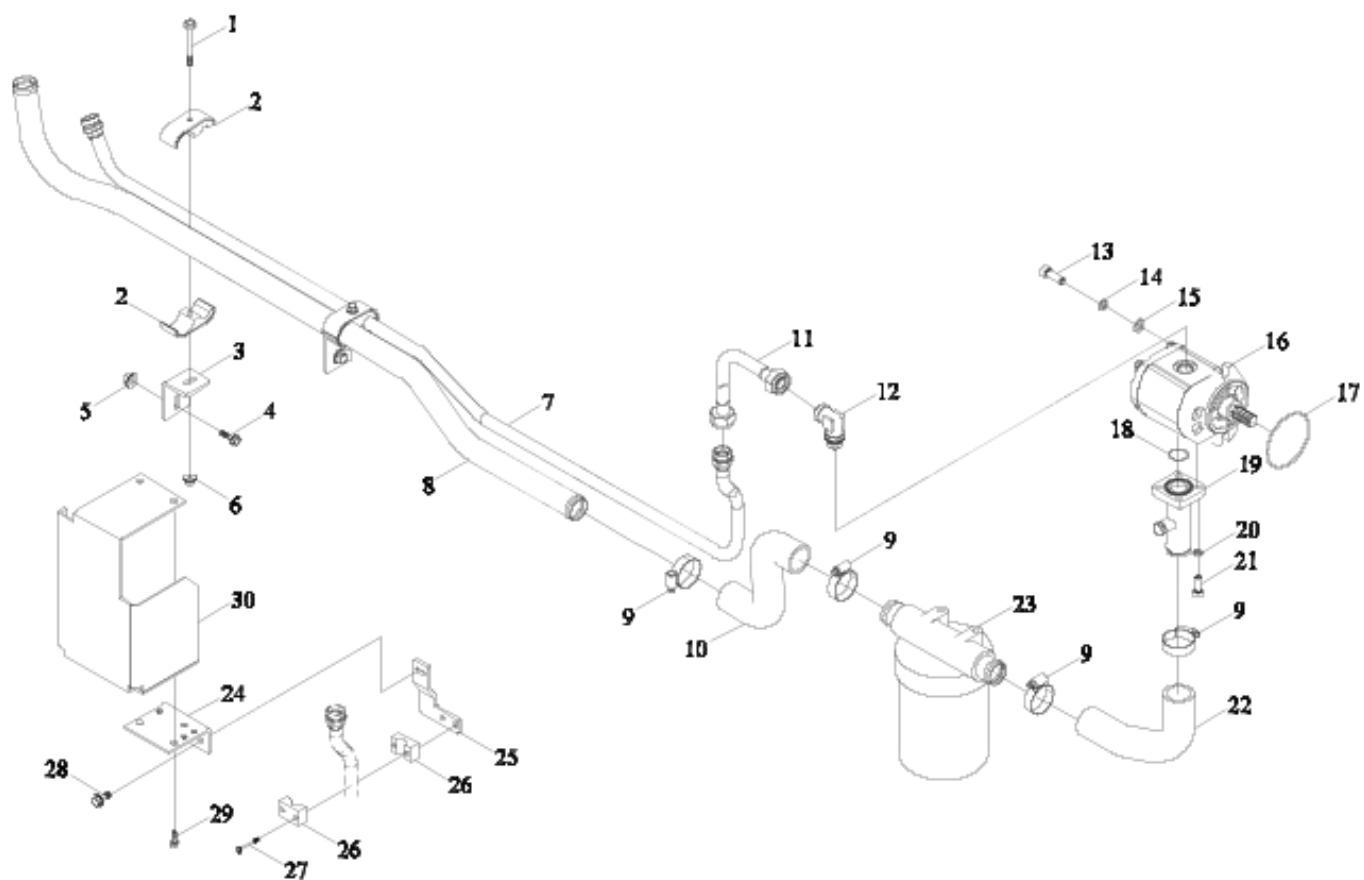
## FT800. 56A. 001 SUSPENSION ASSEMBLY-3



## FT800. 56A. 001 SUSPENSION ASSEMBLY-3

No.	Part No.	Description	Version	QTY.	Remark
	FT800. 56A. 001	SUSPENSION ASSEMBLY		1	
1	FT800. 56. 112d	LOWER PULL ROD BRACKET		1	
2	FT800. 56. 102d	SUPPORT ROD OF LOWER PULL ROD		1	
3	SPL-C0-M16-F3	HEXAGON NUT		6	
4	GBT72-M8X16-14H-A2L	SLOTTED SET SCREW		2	
5	GBT119. 1-20m6X35-A0P	COLUMN PIN		2	
6	FT800. 56. 124	PIN SHAFT		2	
7	FT800. 56A. 015a	LIFTING ROD ASSEMBLY		2	
7.1	FT800. 56. 020a	UPPER SCREW ROD RIVET ASSEMBLY		2	
7.2	FT800. 56. 265	TRAPEZOIDAL NUT TR30X3		2	
7.3	FT800. 56A. 042	LIFTING ROD GUIDE PIPE WELDMENT		2	
7.4	FT800. 56A. 264	NUT		2	
7.5	FT800. 56A. 040	LIFTING ROD LOWER CONNECTING FORK ASSEMBLY		2	
8	FT800. 56A. 262	WASHER		2	
9	GBT91-5X50-A0P	SPLIT PIN		2	
10	FT800. 56A. 041	LIFTING ROD REAR CONNECTING PIN WELDMENT		2	
11	FT800. 56A. 261	BOARD		2	
12	GBT899-GM16-M16X95-10. 9-A3L	DOUBLE END STUDS		6	
13	GBT91-4X50-A0P	SPLIT PIN		2	

## TD1S581040000K OIL PUMP/PIPE/FILTER ASSEMBLY



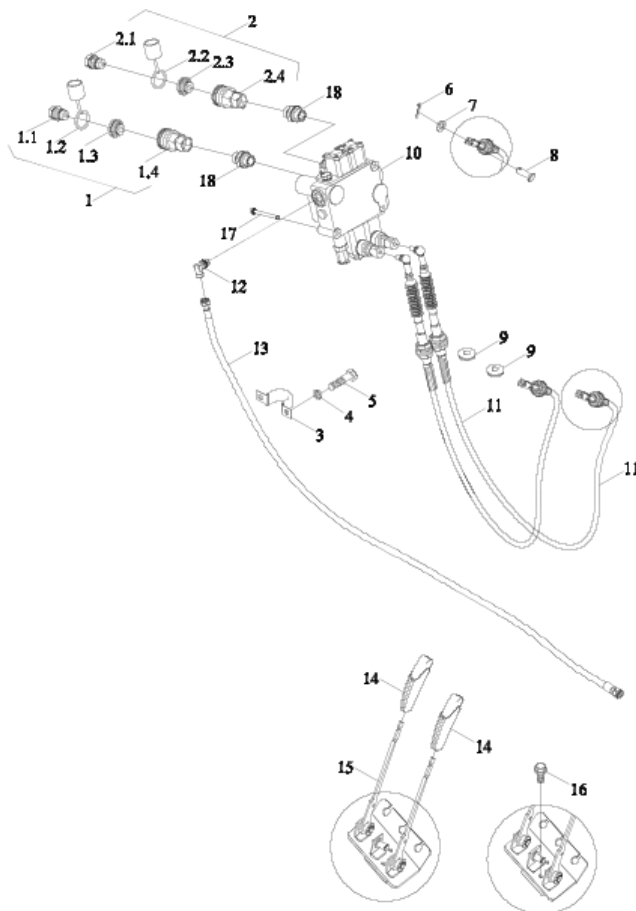
## TD1S581040000K OIL PUMP/PIPE/FILTER ASSEMBLY

No.	Part No.	Description	Version	QTY.	Remark
	TD1S581040000K	OIL PUMP/PIPE/FILTER ASSEMBLY		1	
1	GBT16674. 1-M8X60-8. 8-A2L	HEXAGON FLANGE NUT		2	
2	TS06402290031	OIL PIPE CLAMP AND RUBBER WASHER 35-18		4	
3	TS06581120016	PIPE CLAMP BRACKET 1		2	
4	GBT16674. 1-M10X25-8. 8-A3L	HEXAGON FLANGE NUT		4	
5	GBT6177. 1-M10-8-A3L	HEXAGON FLANGE NUT		2	
6	GBT6177. 1-M8-8-A2L	HEXAGON FLANGE NUT		2	
7	TD1S581040002K	OUT STEEL PIPE ASSEMBLY		1	
8	TS06581120005	OIL SUCTION LONG PIPE		1	
9	Q67645	B-TYPE WORM TRANSMISSION HOSE CLAMP		4	
10	TD1S581040001K	OIL SUCTION RUBBER HOSE 1		1	
11	TS06581150004a	OUT STEEL PIPE ASSEMBLY		1	
12	TC04582390032	ADJUSTABLE JOINT		1	
13	GBT70. 1-M10X30-8. 8-A3L	INNER HEXAGON SCREW		2	
14	GBT93-10-A3L	STANDARD SPRING WASHER		2	
15	GBT97. 1-10-A3L	FLAT WASHER		2	
16	TD1S581040004K	GEAR PUMP		1	
17	GBT3452. 1-82. 5X2. 65G	RUBBER O-SEAL RING		1	
18	GBT3452. 1-32. 5X2. 65G	RUBBER O-SEAL RING		1	
19	TC03581210011	OIL INLET PIPE ASSEMBLY		1	
20	GBT93-8-A3L	STANDARD SPRING WASHER		4	
21	GBT70. 1-M8X25-8. 8-A2L	INNER HEXAGON SCREW		4	
22	TC03581230003	OIL SUCTION RUBBER HOSE 2		1	

## TD1S581040000K OIL PUMP/PIPE/FILTER ASSEMBLY (cont'd.)

No.	Part No.	Description	Version	QTY.	Remark
23	TA1C581100013K	OIL SUCTION FILTER ASSEMBLY		1	
24	TS06581120013	OIL FILTER BRACKET WELDMENT		1	
25	TS06581150005	PIPE CLAMP BRACKET WELDMENT		1	
26	TS06581120018	SINGLE HOLE PIPE CLAMP 18		2	
27	GBT16674.1-M6X45-8.8-A2L	HEXAGON FLANGE NUT		2	
28	GBT16674.1-M8X25-8.8-A2L	HEXAGON FLANGE NUT		1	
29	GBT16674.1-M8X20-8.8-A2L	HEXAGON FLANGE NUT		1	
30	TD1S581040005K	SHIELD		1	

TD1S582110000K HYDRAULIC SYSTEM EQUIPMENT ASSEMBLY-1



## TD1S582110000K HYDRAULIC SYSTEM EQUIPMENT ASSEMBLY-1

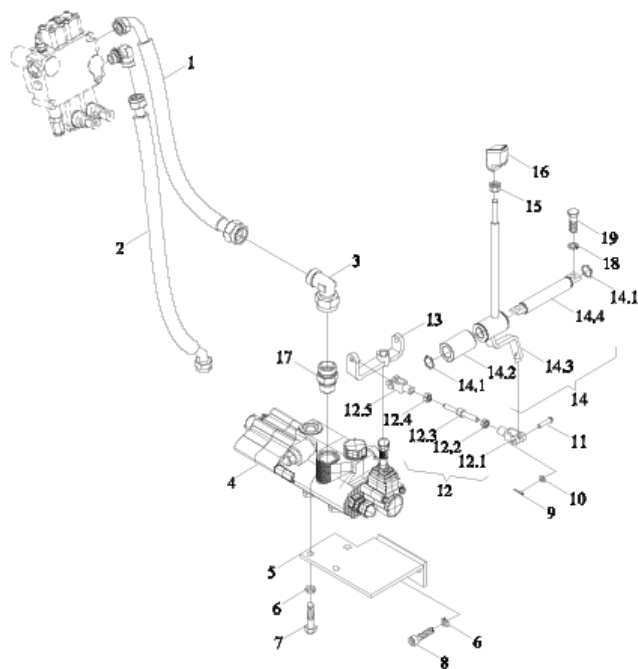
No.	Part No.	Description	Version	QTY.	Remark
	TD1S582110000K	HYDRAULIC SYSTEM EQUIPMENT ASSEMBLY		1	
1	TC02580010001K	QUICK CHANGING JOINT		2	
1.1	FT354. 58A. 032	JOINT		1	
1.2	TC02580010003K	DUSTPROOF COVER		1	
1.3	TC02580010002K	DUSTPROOF COVER		1	
1.4	FT354. 58A. 031	JOINT		1	
2	FT354. 58A. 030	QUICK CHANGING JOINT		2	
2.1	FT354. 58A. 032	JOINT		1	
2.2	FT354. 58A. 302	DUSTPROOF COVER		1	
2.3	FT354. 58A. 103	DUSTPROOF COVER		1	
2.4	FT354. 58A. 031	JOINT		1	
3	YC4. 29A-07	OUT OIL PIPE PIPE CLAMP		1	
4	GBT93-8-A3L	STANDARD SPRING WASHER		9	
5	GBT16674. 1-M8X16-8. 8-A2L	HEXAGON FLANGE NUT		6	
6	GBT91-2X14-A3L	SPLIT PIN		2	
7	GBT97. 1-6-A3L	FLAT WASHER		4	
8	TG1654. 583C-01	PIN SHAFT		2	
9	TS04582010027	RUBBER RING		2	
10	TC04582140010	MULTI-WAY VALVE ASSEMBLY		1	
11	TS06582010007	SOFT SHAFT MECHANISM ASSEMBLY		2	
12	TC04582140012	CONNECTING JOINT M18-15		4	
13	TS06582180003	MULTI-WAY VALVE OIL INLET PIPE ASSEMBLY		1	
14	TS04582010025	HANDLE HEAD		2	



## TD1S582110000K HYDRAULIC SYSTEM EQUIPMENT ASSEMBLY-1 (cont'd.)

No.	Part No.	Description	Version	QTY.	Remark
15	TD1S582020001	MULTI-WAY VALVE CONTROL MECHANISM INSTALLATION ASSEMBLY		1	
16	GBT16674.1-M8X30-8.8-A2L	HEXAGON FLANGE NUT		3	
17	GBT16674.1-M6X55-8.8-A2L	HEXAGON FLANGE NUT		3	
18	TC04582140009	THROUGH JOINT		4	

TD1S582110000K HYDRAULIC SYSTEM EQUIPMENT ASSEMBLY-2



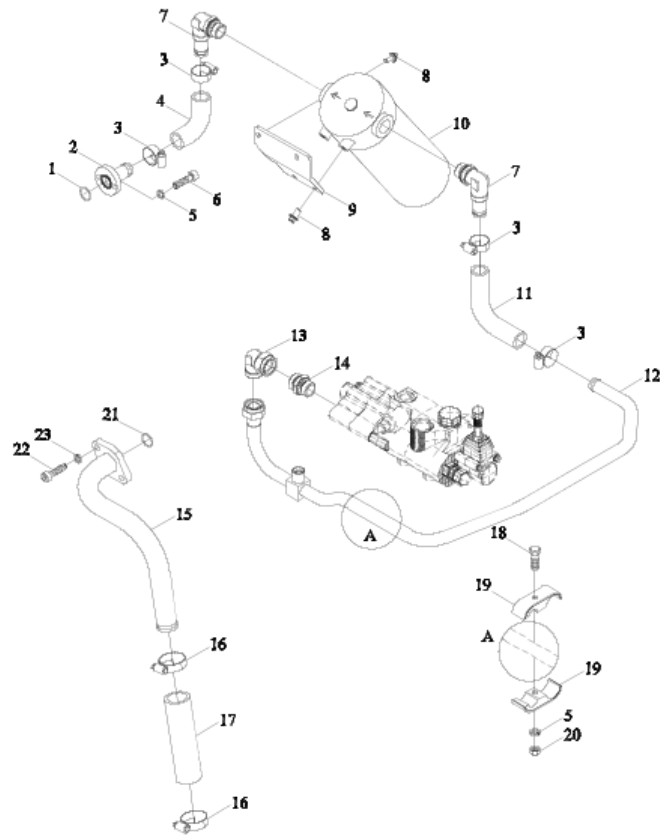
## TD1S582110000K HYDRAULIC SYSTEM EQUIPMENT ASSEMBLY-2

No.	Part No.	Description	Version	QTY.	Remark
	TD1S582110000K	HYDRAULIC SYSTEM EQUIPMENT ASSEMBLY		1	
1	TS06582180004	DISTRIBUTOR OIL INLET PIPE ASSEMBLY		1	
2	TS06582180005	MULTI-WAY VALVE OIL RETURN PIPE ASSEMBLY		1	
3	GBT3754-S20	JOINT		1	
4	TS06582130002	DISTRIBUTOR ASSEMBLY		1	
5	FT904A. 58. 030	DISTRIBUTOR BRACKET WELDMENT		1	
6	GBT93-10-A3L	STANDARD SPRING WASHER		4	
7	GBT16674. 1-M10X25-10. 9-A3L	HEXAGON FLANGE NUT		3	
8	GBT70. 1-M10X25-8. 8-A3L	INNER HEXAGON SCREW		2	
9	GBT91-2X16-A3L	SPLIT PIN		2	
10	GBT97. 1-6-A3L	FLAT WASHER		4	
11	GBT882-B6X28-A3L	PIN SHAFT		2	
12	TS06582180033	DISTRIBUTOR CONTROL ROD ASSEMBLY		1	
12. 1	FT804A. 58L. 136	LEFT REVOLVING PULL ROD FORK		1	
12. 2	GBT6170-M8-LH-8-A2L	HEXAGON NUT, TYPE-1		1	
12. 3	TS06582180034	CONTROL CONNECTING ROD		1	
12. 4	GBT6170-M8-8-A2L	HEXAGON NUT, TYPE-1		1	
12. 5	FT804A. 58L. 133	RIGHT REVOLVING PULL ROD FORK		1	
13	TS06582130004	CONNECTING SLEEVE WELDMENT		1	
14	TS06582180029	DISTRIBUTOR CONTROL ASSEMBLY		1	
14. 1	GBT894. 1-20	CIRCLIP FOR SHAFT		2	
14. 2	TS12582030008	SLEEVE		1	
14. 3	TS06582180030	DISTRIBUTOR CONTROL WELDMENT		1	

## TD1S582110000K HYDRAULIC SYSTEM EQUIPMENT ASSEMBLY-2 (cont'd.)

No.	Part No.	Description	Version	QTY.	Remark
14.4	TS04552010001	FIXING SHAFT		1	
15	GBT6170-M10-8-A3L	HEXAGON NUT, TYPE-1		1	
16	TS12582030014	CONTROL HANDLE HEAD		1	
17	TS06582130049	END STRAIGHT THREAD CONNECTOR BODY		1	
18	GBT93-8-A3L	STANDARD SPRING WASHER		9	
19	GBT5783-M8X20-8.8-A2L	HEXAGON BOLT		2	

TD1S582110000K HYDRAULIC SYSTEM EQUIPMENT ASSEMBLY-3



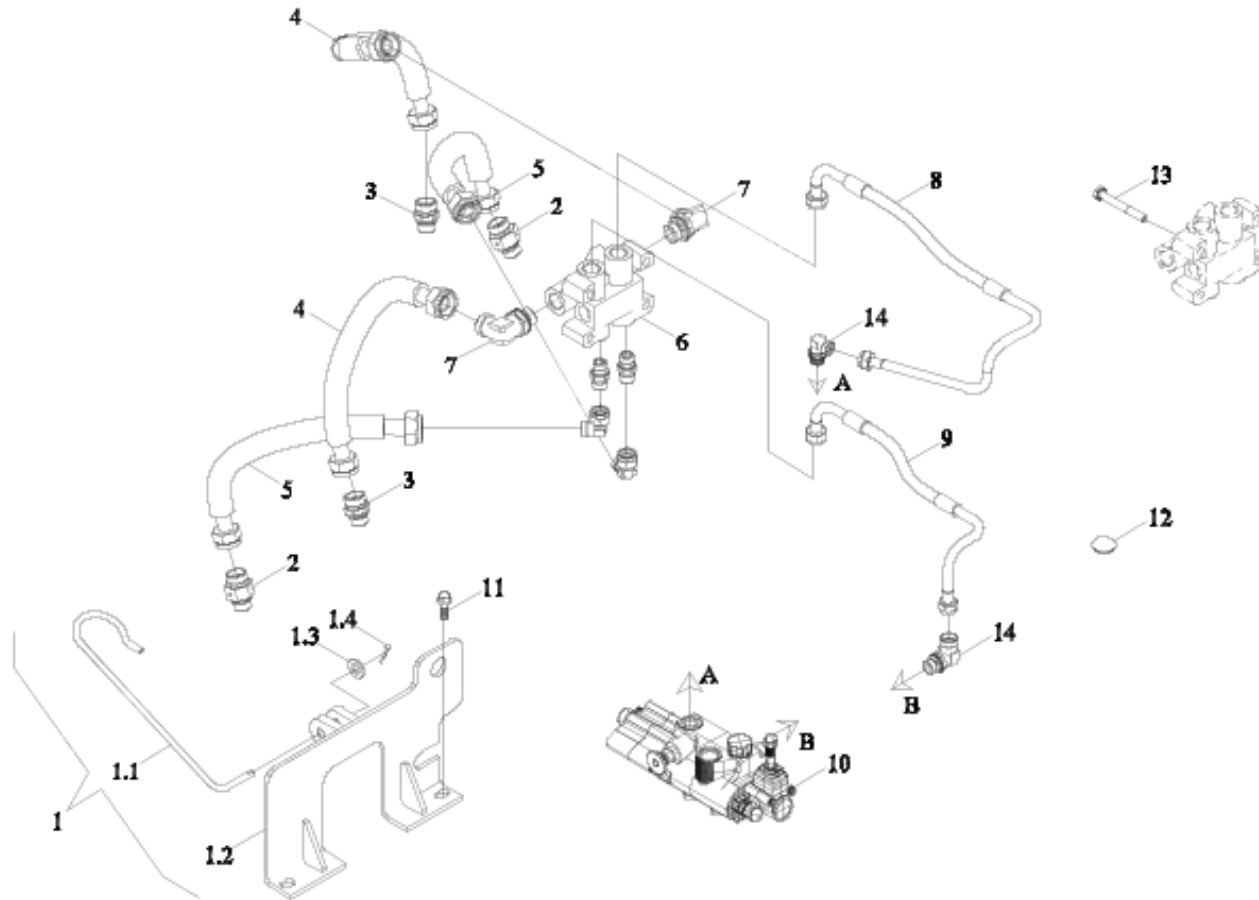
## TD1S582110000K HYDRAULIC SYSTEM EQUIPMENT ASSEMBLY-3

No.	Part No.	Description	Version	QTY.	Remark
	TD1S582110000K	HYDRAULIC SYSTEM EQUIPMENT ASSEMBLY		1	
1	GBT3452.1-22.4X1.80G	RUBBER O-SEAL RING		1	
2	TS06582180019	OIL RETURN PIPE ASSEMBLY		1	
3	Q67632	B-TYPE WORM TRANSMISSION HOSE CLAMP		4	
4	TS06582180023	OIL RETURN RUBBER HOSE 2		1	
5	GBT93-8-A3L	STANDARD SPRING WASHER		9	
6	GBT70.1-M8X25-8.8-A2L	INNER HEXAGON SCREW		2	
7	TD924.582N.11	OIL OUTLET PIPE WELDMENT		2	
8	GBT16674.1-M8X16-8.8-A2L	HEXAGON FLANGE NUT		6	
9	TS06582180043	OIL RETURN FILTER BRACKET		1	
10	TS06582180041	OIL RETURN FILTER ASSEMBLY		1	
11	TS06582180022	OIL RETURN RUBBER HOSE 1		1	
12	TS06582180006	DISTRIBUTOR OIL RETURN PIPE ASSEMBLY		1	
13	GBT3754-L22	JOINT		1	
14	TD924.582N.16	STRAIGHT THREAD JOINT		1	
15	TS06582180001	OIL SUCTION SHORT PIPE WELDMENT		1	
16	Q67645	B-TYPE WORM TRANSMISSION HOSE CLAMP		2	
17	TS06581110003	OIL SUCTION RUBBER HOSE 1		1	
18	GBT5783-M8X55-8.8-A2L	HEXAGON BOLT		1	
19	TS06582180035	OIL PIPE CLAMP AND RUBBER WASHER		2	
20	GBT6170-M8-10-A2L	HEXAGON NUT, TYPE-1		1	
21	GBT3452.1-37.5X2.65G	RUBBER O-SEAL RING		1	

## TD1S582110000K HYDRAULIC SYSTEM EQUIPMENT ASSEMBLY-3 (cont'd.)

No.	Part No.	Description	Version	QTY.	Remark
22	GBT70.1-M10X30-8.8-A3L	INNER HEXAGON SCREW		2	
23	GBT93-10-A3L	STANDARD SPRING WASHER		4	

TD1S582110000K HYDRAULIC SYSTEM EQUIPMENT ASSEMBLY-4

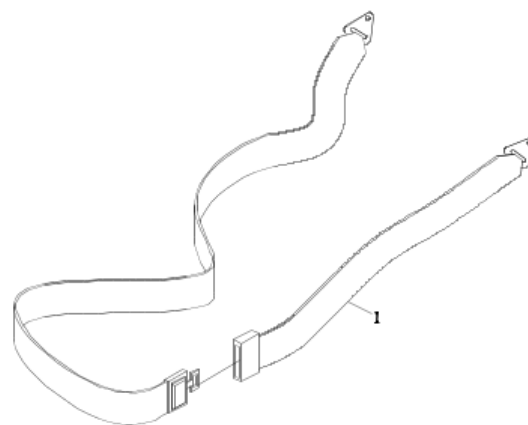




## TD1S582110000K HYDRAULIC SYSTEM EQUIPMENT ASSEMBLY-4

No.	Part No.	Description	Version	QTY.	Remark
	TD1S582110000K	HYDRAULIC SYSTEM EQUIPMENT ASSEMBLY		1	
1	TS06582010001K	UPPER PULL ROD FIXED CLIP COMBINATION		1	
2	TS17582010008	DELAY DROPPING JOINT ASSEMBLY		2	
3	TS06582130048	END STRAIGHT THREAD CONNECTOR BODY		3	
4	TD1S582010003K	OIL CONVEYING PIPE ASSEMBLY 2		2	
5	TD1S582010002K	OIL CONVEYING PIPE ASSEMBLY 1		2	
6	TD1S582010001K	CONNECTING BLOCK		1	
7	TS12582040001	ADJUSTABLE JOINT		2	
8	TD1S582010004K	DISTRIBUTOR OIL OUTLET PIPE ASSEMBLY 2		1	
9	TD1S582010005K	DISTRIBUTOR OIL OUTLET PIPE ASSEMBLY 1		1	
10	TS06582130002	DISTRIBUTOR ASSEMBLY		1	
11	GBT16674. 1-M10X25-8. 8-A3L	HEXAGON FLANGE NUT		2	
12	TD2S582010001	PLUG COVER		3	
13	GBT5782-M8X65-8. 8-A2L	HEXAGON BOLT		4	
14	TC04582140012	CONNECTING JOINT M18-15		4	

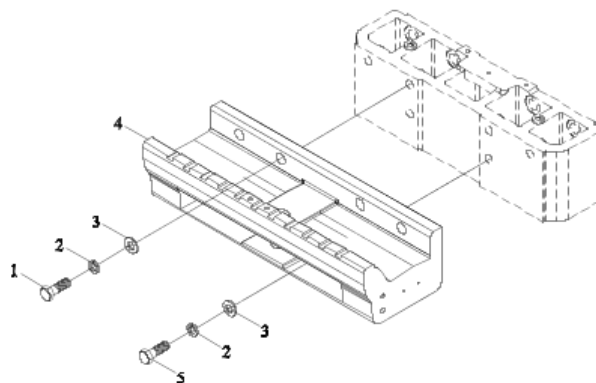
TC03620010000K SAFETY BELT INSTALLATION ASSEMBLY



## TC03620010000K SAFETY BELT INSTALLATION ASSEMBLY

No.	Part No.	Description	Version	QTY.	Remark
1	TC03620010000K	SAFETY BELT INSTALLATION ASSEMBLY		1	

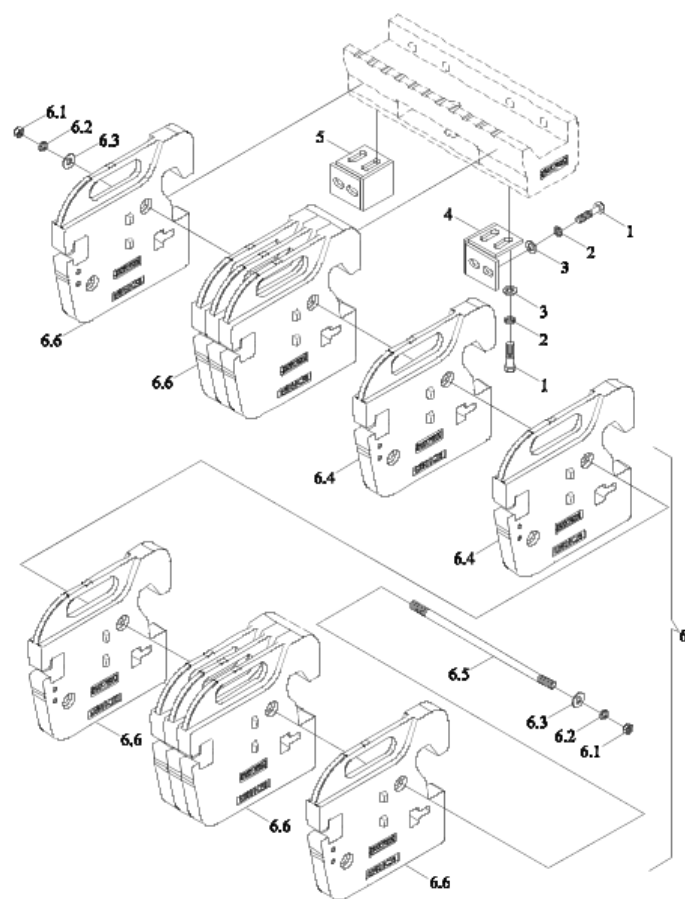
TS0674101000 FRONT BALLAST BRACKET ASSEMBLY



## TS06741010000 FRONT BALLAST BRACKET ASSEMBLY

No.	Part No.	Description	Version	QTY.	Remark
	TS06741010000	FRONT BALLAST BRACKET ASSEMBLY		1	
1	GBT5785-M18X1.5X70-8.8-A3L	HEXAGON BOLT		4	
2	GBT93-18-A0P	STANDARD SPRING WASHER		6	
3	GBT97.1-18-A0P	FLAT WASHER		6	
4	TS06741010001	BALLAST BRACKET		1	
5	GBT5785-M18X1.5X100-8.8-A3L	HEXAGON BOLT		2	

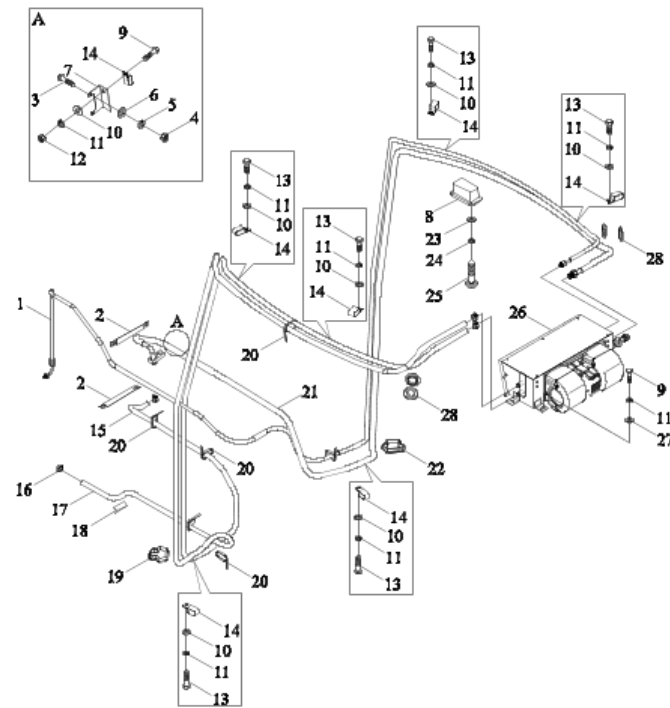
## TS06742010000 FRONT BALLAST ASSEMBLY



## TS06742010000 FRONT BALLAST ASSEMBLY

No.	Part No.	Description	Version	QTY.	Remark
	TS06742010000	FRONT BALLAST ASSEMBLY		1	
1	GBT5783-M16X35-8.8-A3L	HEXAGON BOLT		8	
2	GBT93-16-A0P	STANDARD SPRING WASHER		8	
3	GBT97.1-16-A0P	FLAT WASHER		8	
4	TC05742010002	RIGHT FIXING BLOCK WELDMENT ASSEMBLY		1	
5	TC05742010001	LEFT FIXING BLOCK WELDMENT ASSEMBLY		1	
6	TS06742010001	FRONT BALLAST SMALL ASSEMBLY		1	
6.1	GBT6170-M16-8-A3L	HEXAGON NUT, TYPE-1		4	
6.2	GBT93-16-A0P	STANDARD SPRING WASHER		4	
6.3	GBT97.1-16-A0P	FLAT WASHER		4	
6.4	TS06742010002	BALLAST BLOCK		2	
6.5	FT700.74B.107	CONNECTING BOLT		2	
6.6	FT800.74B.106a	BALLAST BLOCK		10	

TS06811010000 AIR CONDITION ASSEMBLY-CAB





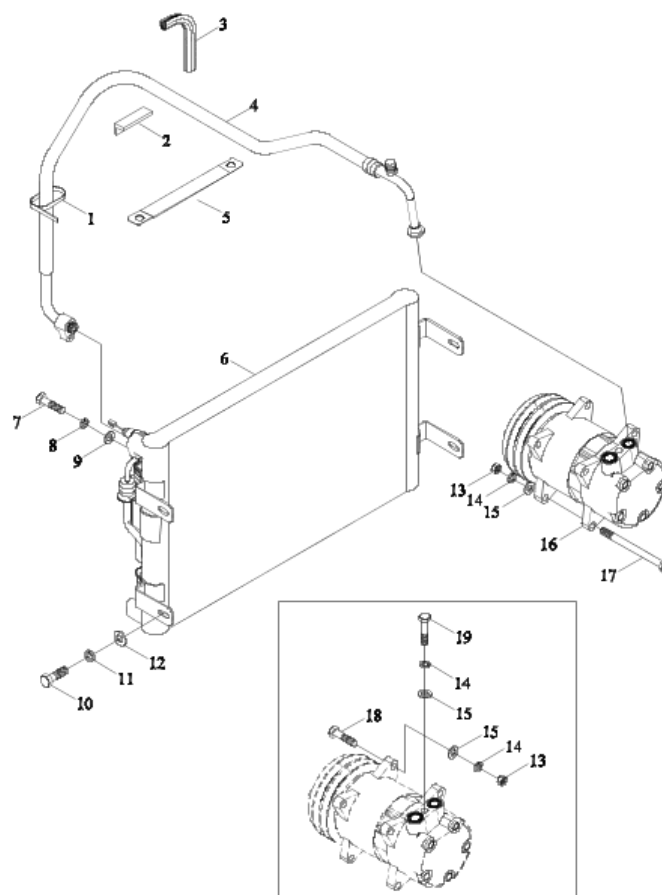
## TS06811010000 AIR CONDITION ASSEMBLY-CAB

No.	Part No.	Description	Version	QTY.	Remark
	TS06811010000	AIR CONDITION ASSEMBLY-CAB		1	
1	TS06811010003	PIPE		1	
2	TD800.811A-04	PIPE CLAMP BELT		2	
3	GBT5783-M10X40-8.8-A3L	HEXAGON BOLT		1	
4	GBT6170-M10-8-A3L	HEXAGON NUT, TYPE-1		1	
5	GBT93-10-A0P	STANDARD SPRING WASHER		1	
6	GBT97.1-10-A3L	FLAT WASHER		1	
7	TS06811010011	SUPPORT PLATE		1	
8	TS06811010001	CONTROL PANEL		1	
9	GBT5783-M8X25-8.8-A2L	HEXAGON BOLT		7	
10	GBT97.1-8-A2	FLAT WASHER		7	
11	GBT93-8-A0P	STANDARD SPRING WASHER		11	
12	GBT6170-M8-10-A2L	HEXAGON NUT, TYPE-1		1	
13	GBT5783-M8X16-8.8-A2L	HEXAGON BOLT		4	
14	TS06811010007	LOCKING CLAMP		6	
15	TS06811010005	WATER INLET HOSE OF WARM AIR		1	
16	Q676B25	C-TYPE WORM TRANSMISSION HOSE CLAMP		4	
17	TS06811010006	WATER OUT HOSE OF WARM AIR		1	
18	TS06812010005	GLUEPIECE		1	
19	TS06811010008	GUARD RING 1		1	
20	Q67407200	PLASTIC FASTENING STRIP		9	
21	TS06811010004	PIPE		1	
22	TS06811010009	GUARD RING 2		1	

## TS06811010000 AIR CONDITION ASSEMBLY-CAB (cont'd.)

No.	Part No.	Description	Version	QTY.	Remark
23	GBT97. 1-5-A0P	FLAT WASHER		4	
24	GBT93-5-A0P	STANDARD SPRING WASHER		4	
25	GBT818-M5X16-4. 8-A2L	CROSS SCREW		4	
26	TS06811010002	EVAPORATOR		1	
27	GBT96. 1-8-A0P	BIG WASHER		4	
28	TS06811010013	PROTECTINGRING		4	

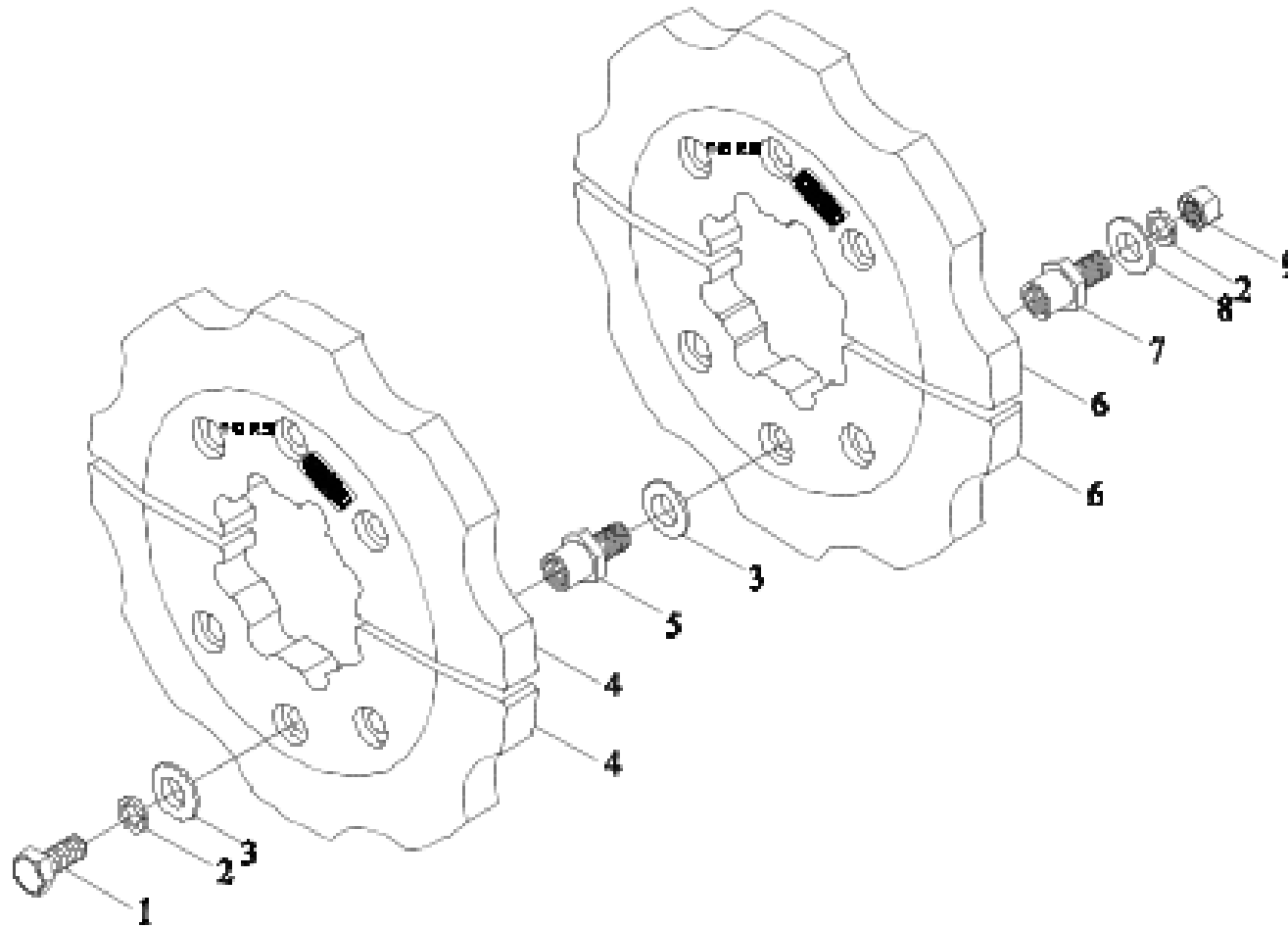
## TS06812010000 AIR CONDITION ASSEMBLY-ENGINE



## TS06812010000 AIR CONDITION ASSEMBLY-ENGINE

No.	Part No.	Description	Version	QTY.	Remark
	TS06812010000	AIR CONDITION ASSEMBLY-ENGINE		1	
1	Q67407200	PLASTIC FASTENING STRIP		1	
2	TS06812010005	GLUEPIECE		1	
3	TS06812010004	PROTECTION RUBBER STRIP		1	
4	TS06812010002	CONDENSER-COMPRESSOR HIGH PRESSURE HOSE		1	
5	TD800. 811A-04	PIPE CLAMP BELT		1	
6	TS06812010001	CONDENSER		1	
7	GBT5783-M6X25-8. 8-A2L	HEXAGON BOLT		1	
8	GBT93-6-A0P	STANDARD SPRING WASHER		1	
9	GBT97. 1-6-A0P	FLAT WASHER		1	
10	GBT5783-M8X16-8. 8-A2L	HEXAGON BOLT		4	
11	GBT93-8-A0P	STANDARD SPRING WASHER		4	
12	GBT97. 1-8-A3L	FLAT WASHER		4	
13	GBT6170-M10-8-A3L	HEXAGON NUT, TYPE-1		2	
14	GBT93-10-A0P	STANDARD SPRING WASHER		3	
15	GBT97. 1-10-A3L	FLAT WASHER		3	
16	TS06812010003	COMPRESSOR		1	
17	TD800. 811-20	BOLT		1	
18	GBT5783-M10X40-8. 8-A3L	HEXAGON BOLT		1	
19	GBT5786-M10X1. 25X35-8. 8-A2L	HEXAGON BOLT		1	

## FT800. 91B. 001 REAR BALLAST ASSEMBLY



## FT800. 91B. 001 REAR BALLAST ASSEMBLY

No.	Part No.	Description	Version	QTY.	Remark
1	GBT5783-M16X40-8. 8-A3L	HEXAGON BOLT		6	
2	GBT93-16-A0P	STANDARD SPRING WASHER		12	
3	FT800. 34. 108	FLAT WASHER		12	
4	FT804. 91. 105	REAR BALLAST		2	
5	FT804. 91. 102	BALLAST SCREW II		6	
6	FT800. 91B. 103	REAR BALLAST II		2	
7	FT804. 91. 101	BALLAST SCREW I		6	
8	GBT97. 1-16-A0P	FLAT WASHER		6	
9	GBT6170-M16-8-A3L	HEXAGON NUT, TYPE-1		6	